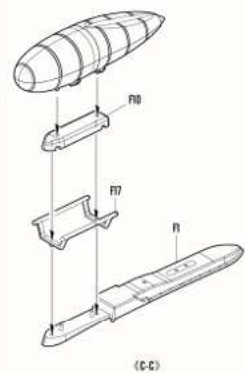
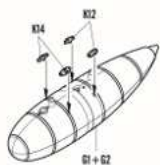
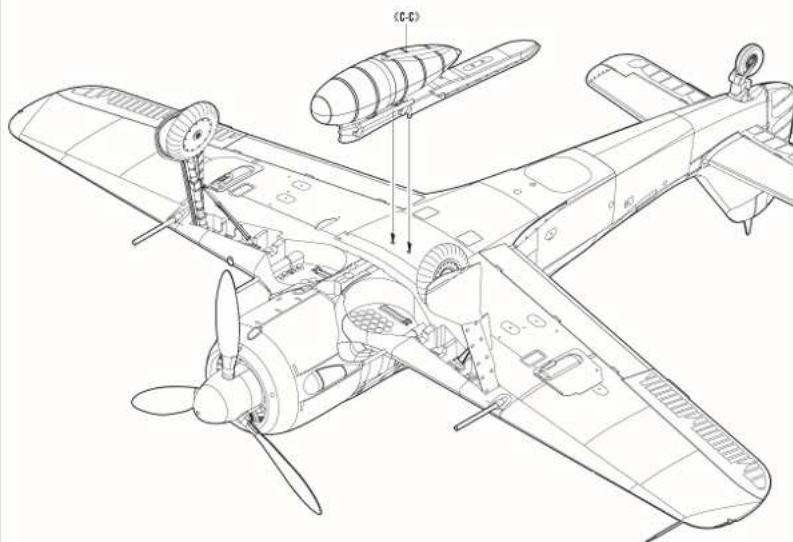


13
STEP

(C-C)

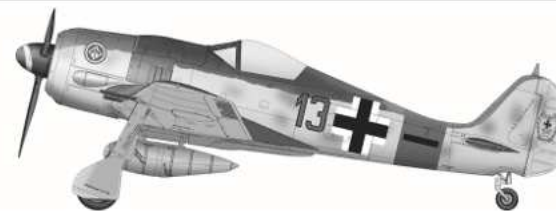
14
STEP

81803

12

1:18 Scale

Item No.:81803



Focke-Wulf FW190A-8

フォッケウルフ Fw190A-8 德国FW190A-8战斗机

PLEASE READ BEFORE OPERATION!

- Tools recommended as below: (Not included)
Adhesives; Paints; Side Cutters; Sharp Edged Pliers; Modeling Knife; Modeling File; Nippers; Drill; Scissors; Sand Paper; Soft Cloth; Cyanoacrylate Glue.
- Make sure to read this instruction listed below before assembling.
- The kit contains the small parts, they can be dangerous if swallowed by mistake, so keep them away from reach of children.
- Cut the all parts off carefully and remove the waste parts into the garbage can.
- More caution and care should be needed for cutting and handling the photo-etched parts.
- Make attention that some parts should be attached the decal when assembled.
- During assembling, please tear up and throw away the plastic bags, or may cause the dangerous if wearing over head by children's mistake.
- When using the adhesives and paints, please do not use them in the closed room or near the fire, also must be very careful to protect your eyes, face and clothes.
- Adult supervised when assembled by children under 14 years old.

装配前请仔细阅读:

- 推荐使用的模型工具(请自备):
专用模型胶水, 专用模型油漆, 水口剪刀, 长镊钳, 刀片, 锉刀, 镊子钳, 钻, 剪刀, 软布, 砂纸, 瞬间快干胶等。
- 用水口剪刀或刀片小心切下所有塑胶零件和蚀刻片零件, 不要遗失小零件。
- 切取蚀刻片时应特别注意防止利边划伤手指。
- 用适度锋利的镊子小心持平所有零件表面的注射浇口。
- 用适度的强力快干胶水粘合蚀刻片零件和金属轴, 切忌过量, 否则可能导致可动零件被粘住。
- 注意某些零件表面需在装配时同步贴上火贴纸。
- 制作时应远离幼儿并待包装及时收妥, 谨防小孩玩耍而引起意外。

The method to apply the decals

- Cut off the decal from the decal paper and put it into the warm water 40°C for 10 seconds.
- Take the decal from the water and put it on a piece of clean cloth.
- Remove the decal slowly from the paper to the targeted location by a wet finger.
- Use a piece of dry and soft cloth to press it gently on the decal until it getting dry and no bubble existing.

水贴纸的使用方法:

- 把相关的印花从水贴纸上剪下, 放入40°C左右的温水中浸10秒。
- 然后将印花放在干净的布上。
- 拿上印花纸, 手指蘸水将印花移到适当的位置。
- 用软干布轻压印花直至水干, 气泡消失。



强力胶
Cyanoacrylate glue



配重
Weight



钻孔
Make hole



切除
Cut/Remove



选择
Option



不涂胶水
No cement



贴纸
Decal



弯曲
Bend



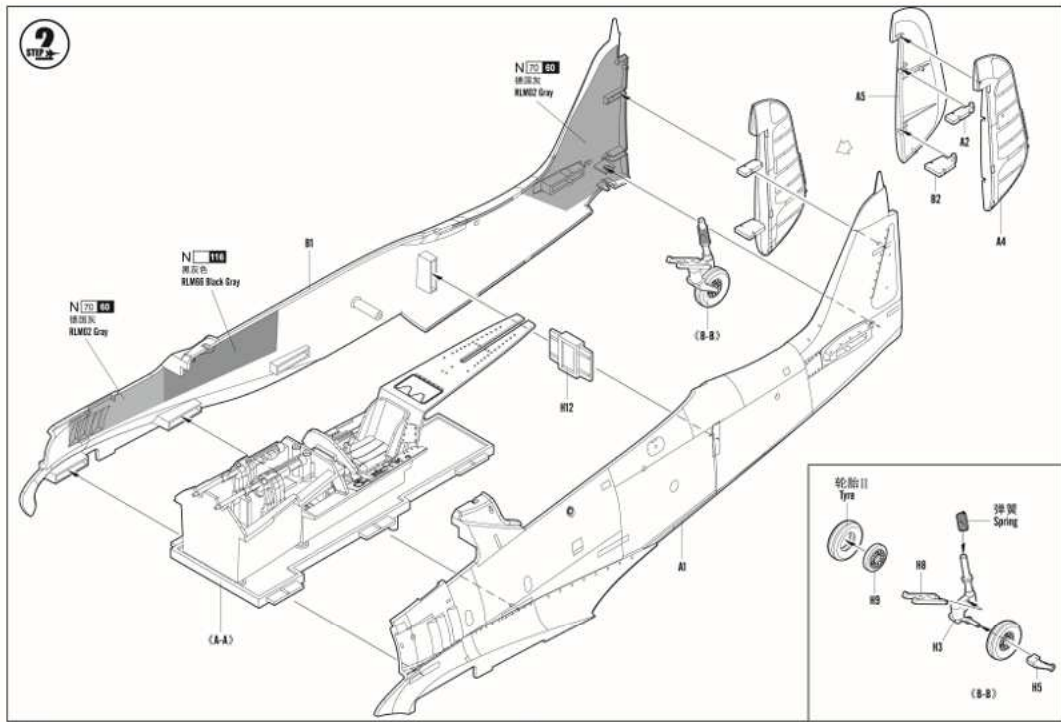
填补
Repair



先装
Install it first

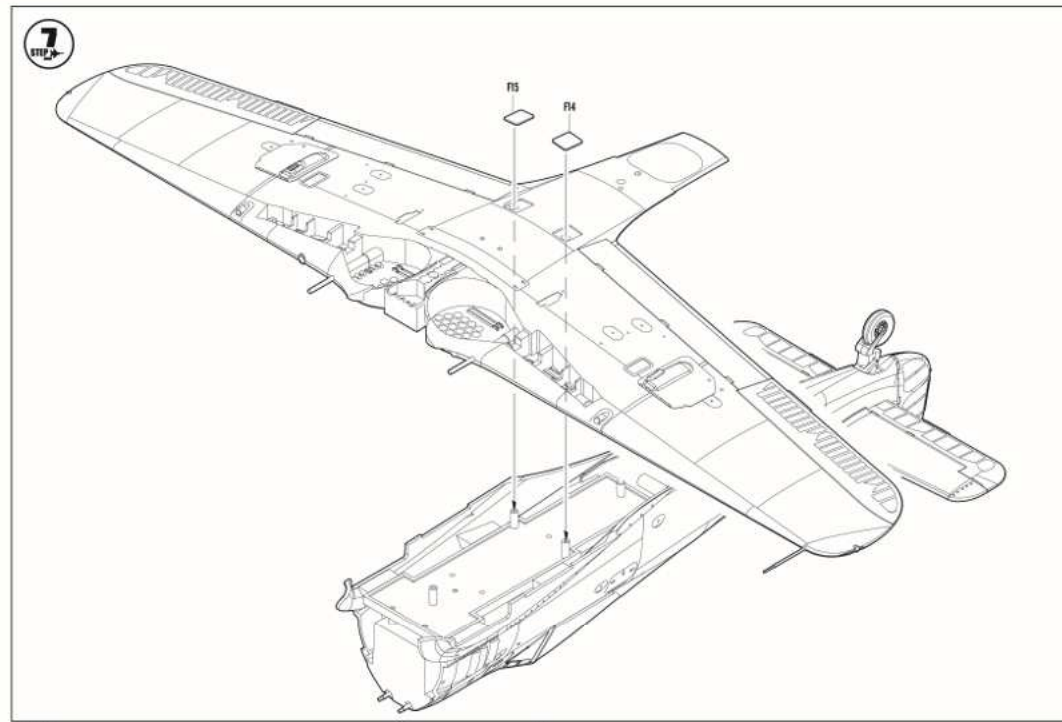
81803

1



81803

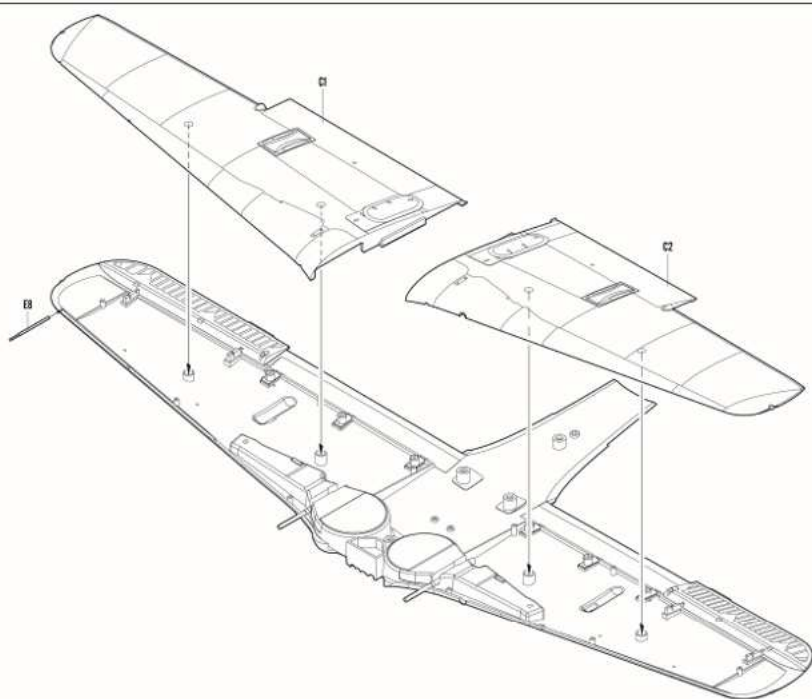
4



81803

9

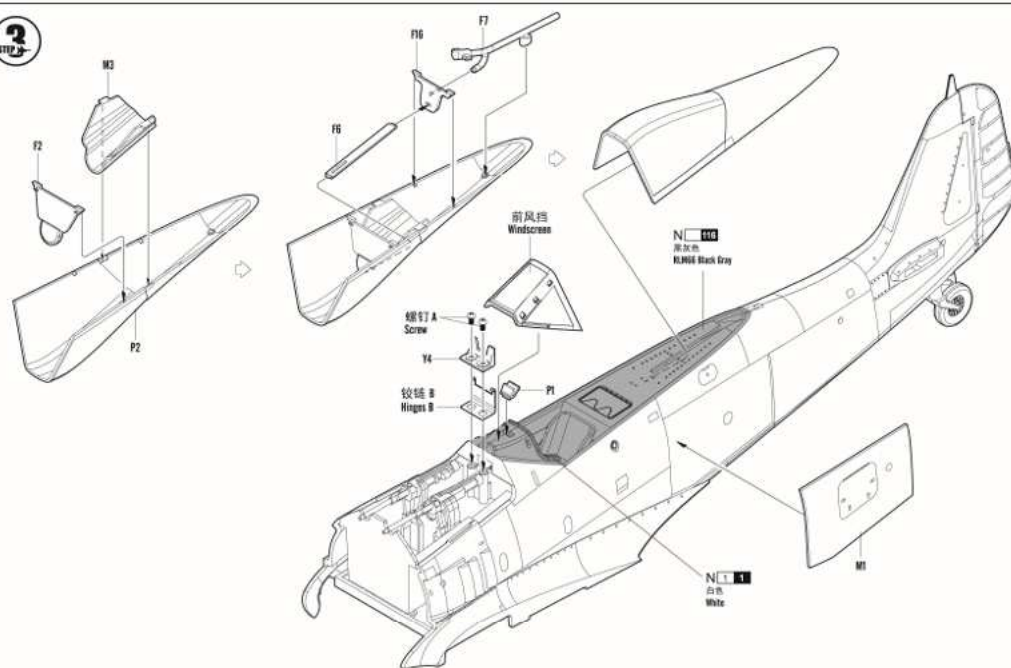
6
STEP 6



81803

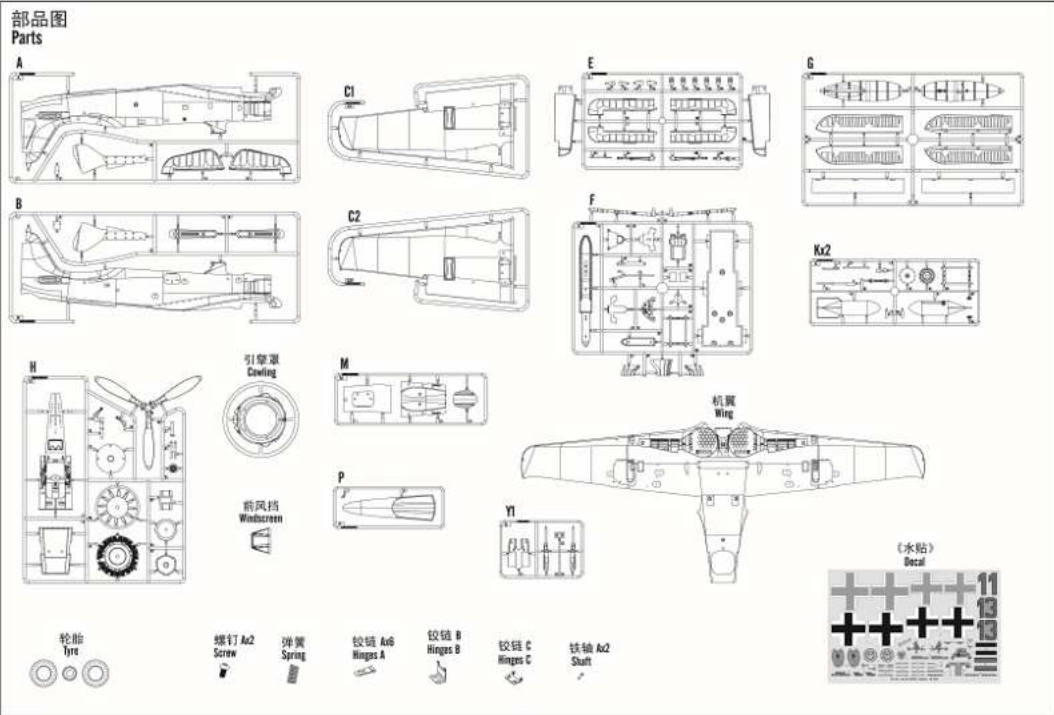
8

3
STEP 3



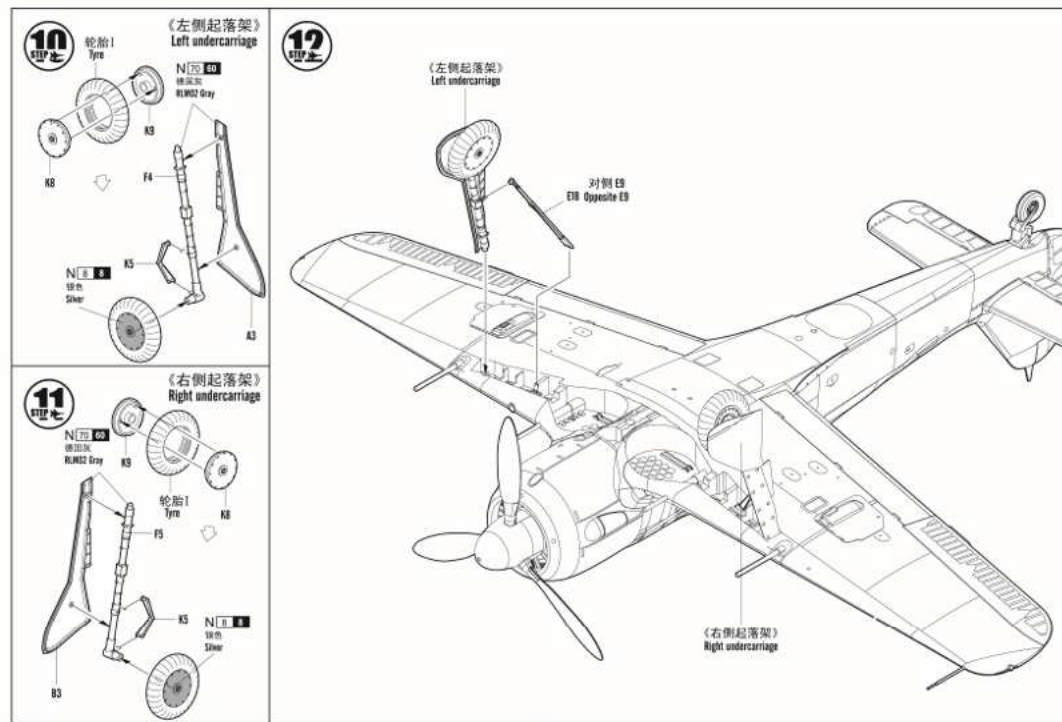
81803

5



81803

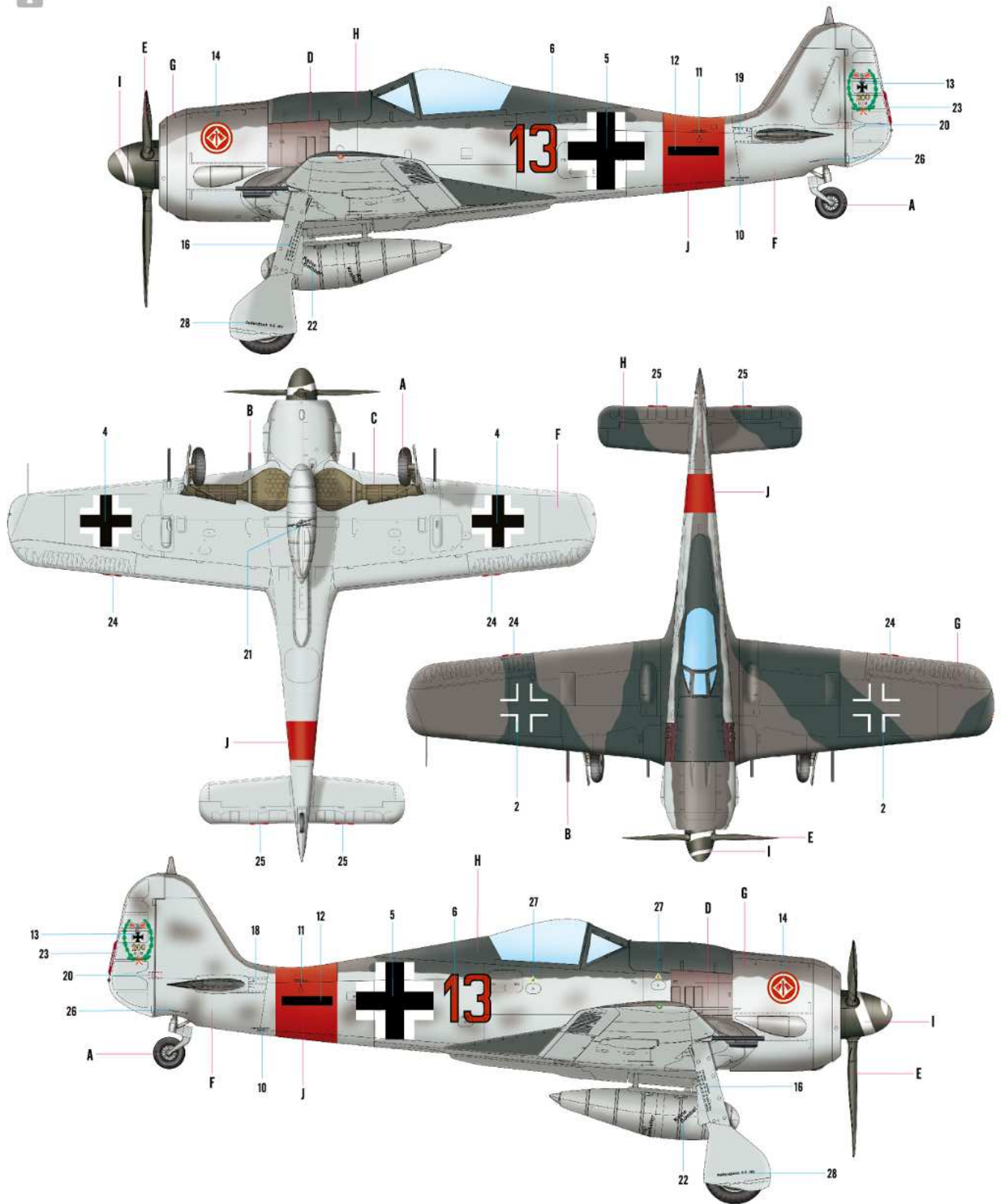
2



81803

11

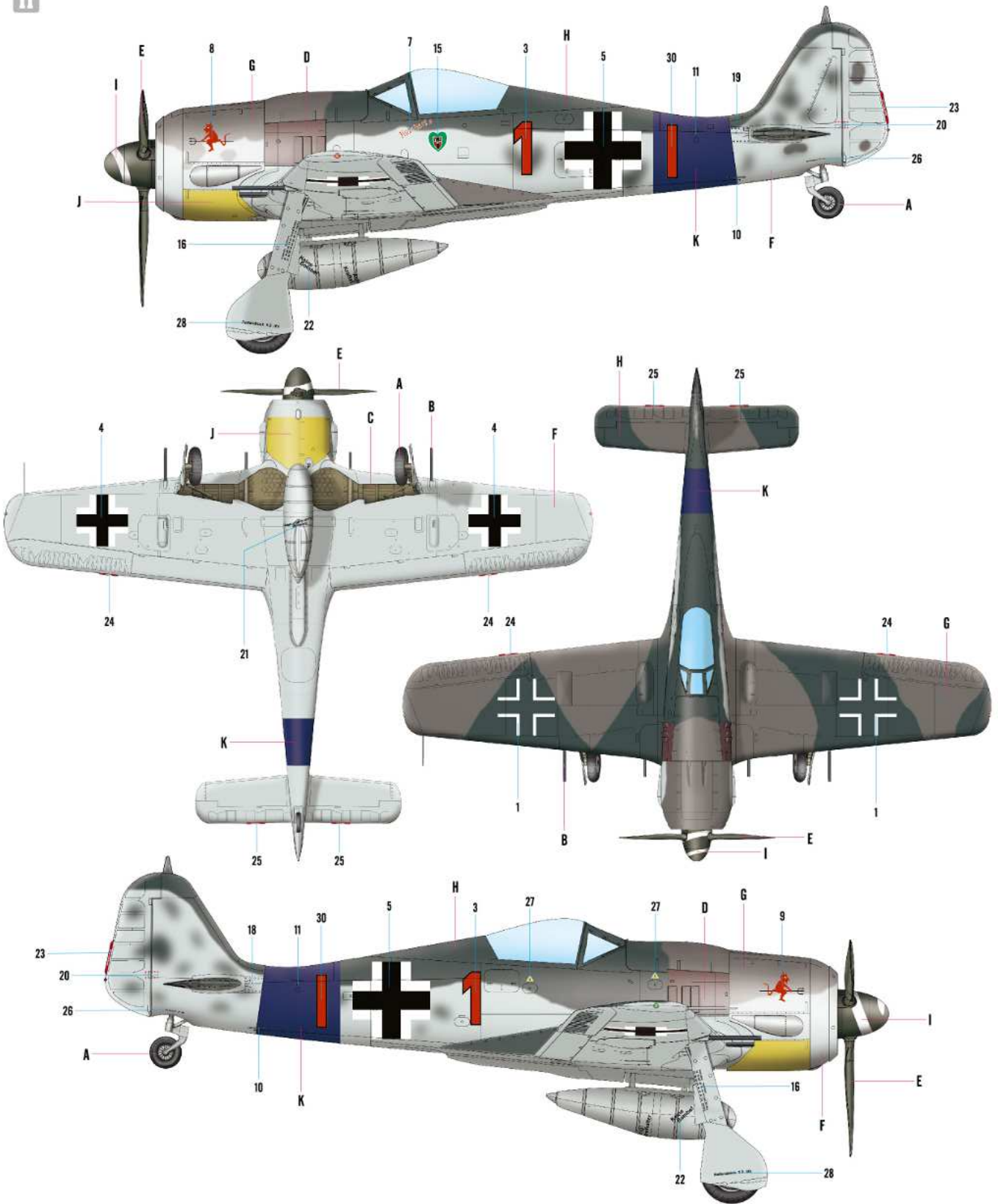
I



	Color	Mr.Hobby	Vallejo	Model Master	Tamiya	Humbrol		Color	Mr.Hobby	Vallejo	Model Master	Tamiya	Humbrol
A	胎黑色 Tire Black	N[37] 137	--	--	--	--	F	浅兰色 RLM76 Light Blue	N[117] 117	907	1731	--	146
B	黑铁色 Steel	N[18] 28	864	1402	--	--	G	灰棕色 RLM75 Gray	N[69] 37	--	--	--	--
C	德国灰 RLM32 Gray	N[70] 60	869	--	XF22	--	H	灰绿色 RLM74 Gray Green	N[68] 36	868	--	XF54	27
D	烧铁色 Burnt Iron	N[76] 61	863	1795	X10	53	I	白色 White	N[1] 1	842	1745	X2	22
E	墨绿色 RLM70 Black Green	N[65] 18	897	--	XF27	91	J	红色 Red	N[3] 3	908	1503	X7	19

※Some paints may not be available in your country. Please check your local hobby shop for substitute

II



Color	Mr.Hobby	Vallejo	Model Master	Tamiya	Humbrol	Color	Mr.Hobby	Vallejo	Model Master	Tamiya	Humbrol
A 胎黑色 Tire Black	N[77] 137	--	--	--	--	G 灰紫色 RLM75 Gray	N[69] 37	--	--	--	--
B 黑铁色 Steel	N[78] 28	864	1402	--	--	H 灰绿色 RLM74 Gray Green	N[68] 38	868	--	XF54	27
C 德国灰 RLM02 Gray	N[70] 00	869	--	XF22	--	I 白色 White	N[71] 1	842	1745	X2	22
D 烧铁色 Burnt Iron	N[76] 61	863	1795	X10	53	J 黄色 RLM04 Yellow	N[65] 113	--	--	A78	--
E 墨绿色 RLM70 Black Green	N[65] 18	897	--	XF27	91	K 蓝色 Blue	N[6] 5	899	1772	X3	15
F 浅兰色 RLM78 Light Blue	N[61] 117	907	1731	--	146						