



HO Structure Kit
MISS BETTIE'S DINER
933-2909

Thanks for purchasing this Cornerstone Series® kit. Please take a few minutes to read these instructions and study the drawings before starting. All parts are styrene plastic, so use compatible glue and paint to finish your model.

Just mention the word “diner” to anybody and they’ll think of a gleaming stainless steel restaurant adorned with colorful painted or neon signs, a long counter with stools and booths inside, and a few patrons gabbing amongst themselves or with the wait staff.

Miss Bettie’s Diner is patterned after a typical kit-built stainless steel structure. With its shiny walls, rooftop sign, interior details and colorful printed signs, it’s sure to be a real attention-getter anywhere you place it.

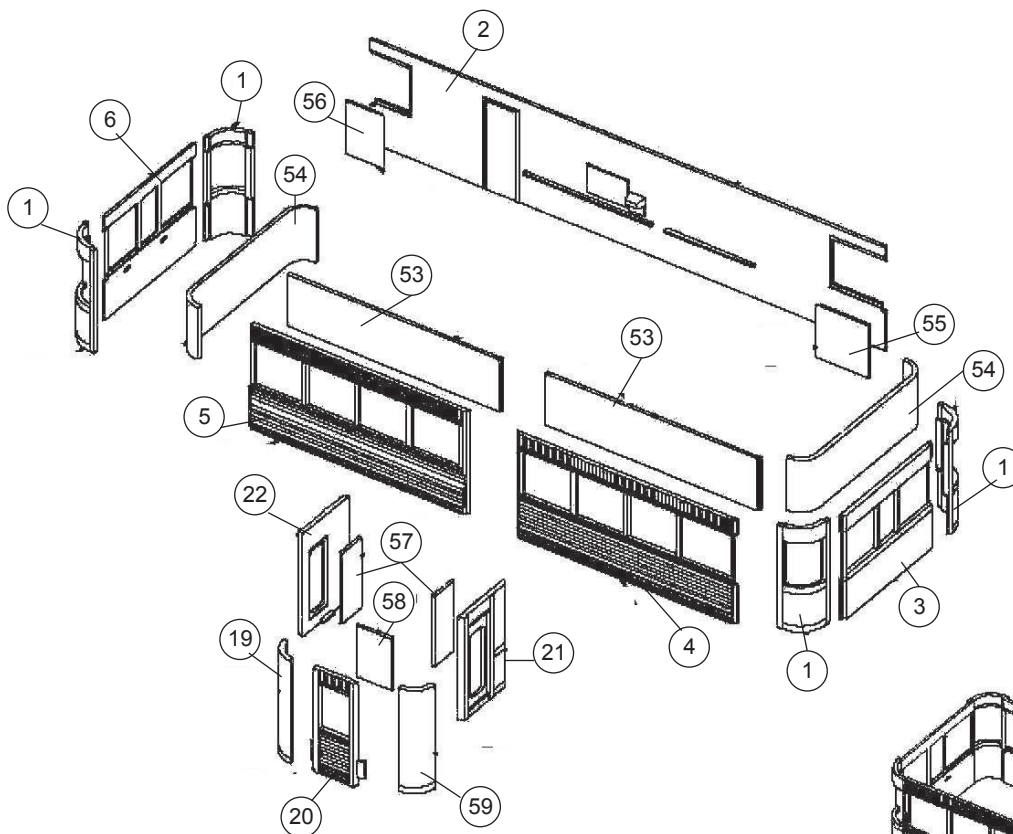
In order to guarantee plenty of walk- or drive-in business, prototype diners were usually built along major streets or at important intersections—the more prominent the better! In cities and towns, natural locations for diners are anywhere they’re surrounded by businesses and offices, along Main Street, or near Union Station. Diners are also common across the street from or adjacent to large industries like steel mills, oil refineries, paper mills, textile mills and anywhere else workers might want to grab meals before or after work. Other locations for diners include along the waterfront, at busy ports and near ferry terminals.

Because diners catered to people on the go, many were located along busy highways on the outskirts of many towns. Their location here was twofold—land was cheaper and there was plenty of space. These diners were also the first or last eatery (or rest stop) travelers encountered as they were passing through.

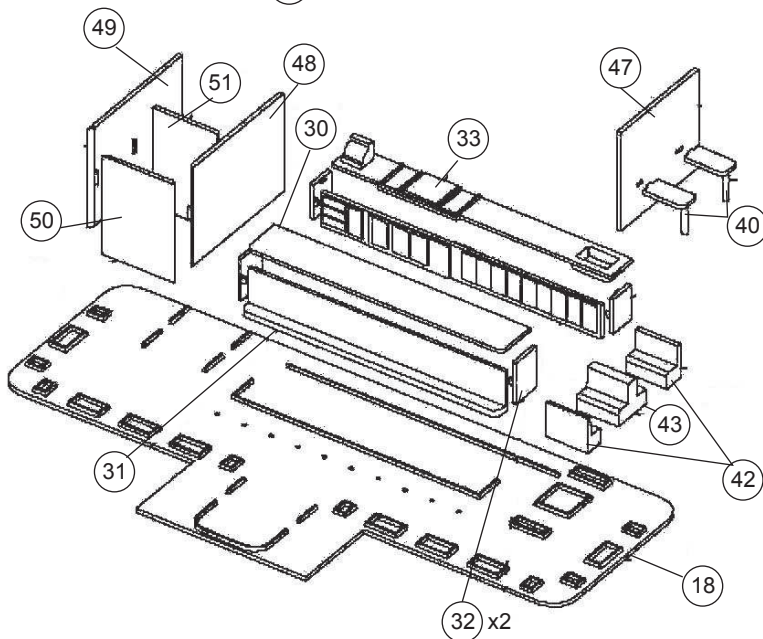
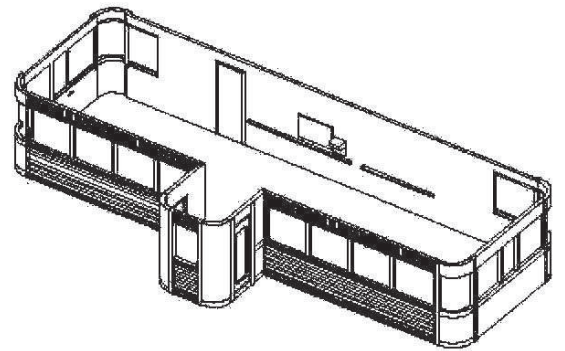
Once you’ve chosen a location, don’t forget to add scenic details (sold separately) to round out your scene. For instance, a sandwich board out front with the daily “blue plate,” newspaper boxes, a bike rack, trash cans and perhaps some outdoor tables, umbrellas and chairs for service in good weather. Out back, don’t forget a ladder chained against the wall, a hose, milk crates, a dumpster and possibly an industrial bakery delivery rack.

Inside the large windows, the booths, counter, stools and other details add realism. The upholstery used in many diners was available in all the colors of the rainbow, so take a look at prototype photos for painting ideas. We’ve included printed signs including a menu board for added authenticity. Plenty of resources for decorating ideas are available at your local library or on the Internet.

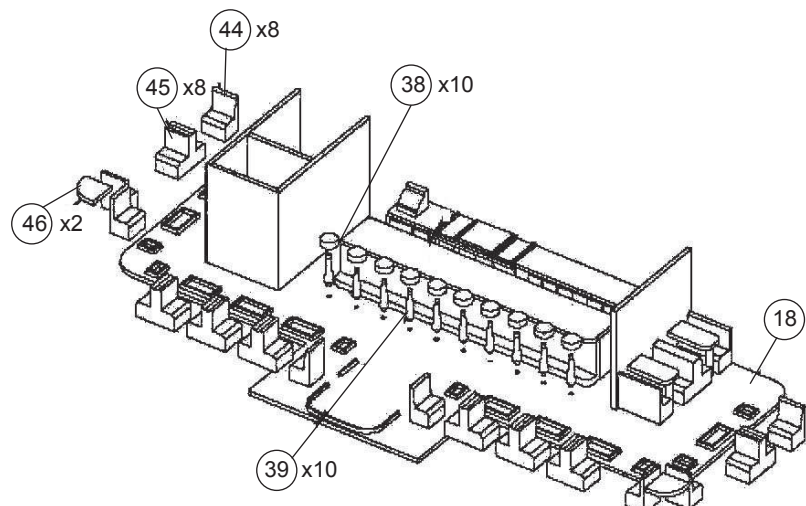
For figures, vehicles and accessories to set the scene, see your dealer, check out the latest Walthers HO Scale Model Railroad Reference book or visit our web site at waltherscornerstone.com for more ideas.



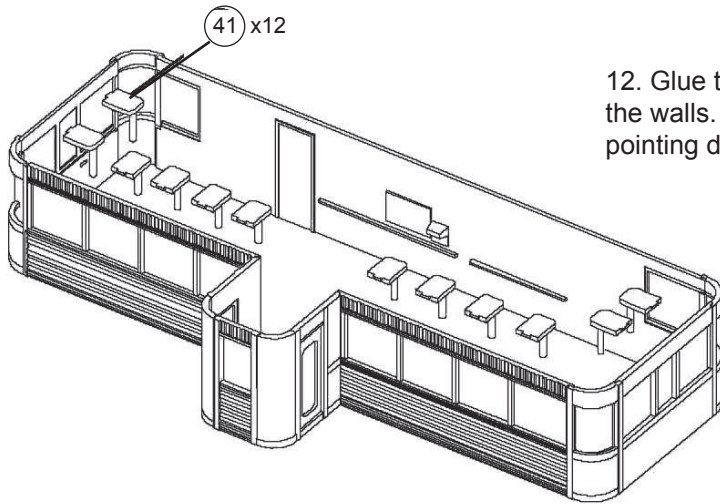
1. Glue the side panels (1) to the ends (3, 60). Then, while glue is still soft, glue the "glass" (54) in place on the back of the walls, forming the walls to the glass.
2. Glue the front panels (4, 5) on respectively to the ends. Then glue the "glass" (53) onto the backs of the panels.
3. Glue the "glass" (55, 56) to the appropriate ends of the back wall (2). Note: Make sure the recessed side of the "glass" overlaps the back of the wall.
4. Glue the "glass" (57, 58) in position on the backs of their respective walls (20, 21, 22), Then glue the walls (19, 20, 21, 22, 59) together.



5. Now glue all the wall components together and set aside.
6. Glue the bathroom walls (48, 49, 50, 51) together and in place on the base (18). Note: Use the tabs on the bottom of the walls along with the ridges on the base to position correctly.
7. Glue the back counter (33, 34, 35) together and to the base (18).
8. Glue the front counter (30, 31, 32) together and to the base (18).
9. Glue the booth seating (42, 43) to the base (18). First glue the two tables (40) to the partition (47) and then glue the partition to the base, in between the back counter and the booths.



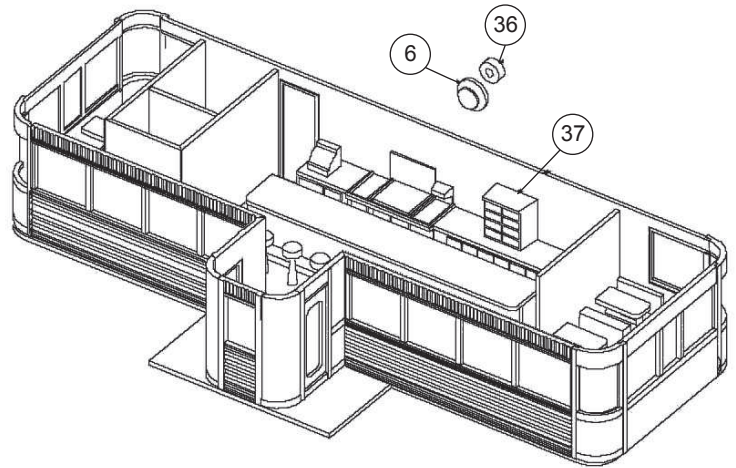
10. Glue the stools (38, 39) together and then into the holes in the base (18), in front of the counter.
11. Glue the perimeter seats (44, 45) to the base (18). Glue the two corner shelves (46) to the backs of the two seats (44) at both front corners.



12. Glue the tables (41) into the slots on the insides of the walls. Note: Make sure that the leg on each table is pointing down.

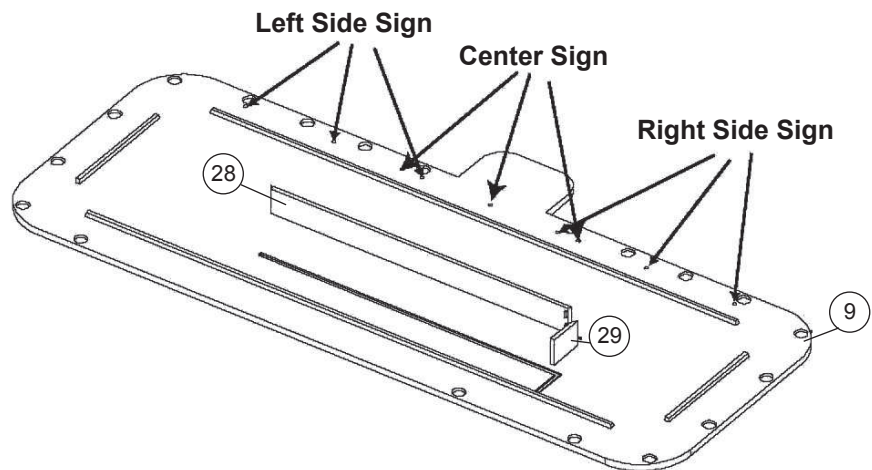
13. Using the seats, interior walls, rear counter and the ridges on the base by the front entrance to position, glue the exterior walls in place on the base (18).

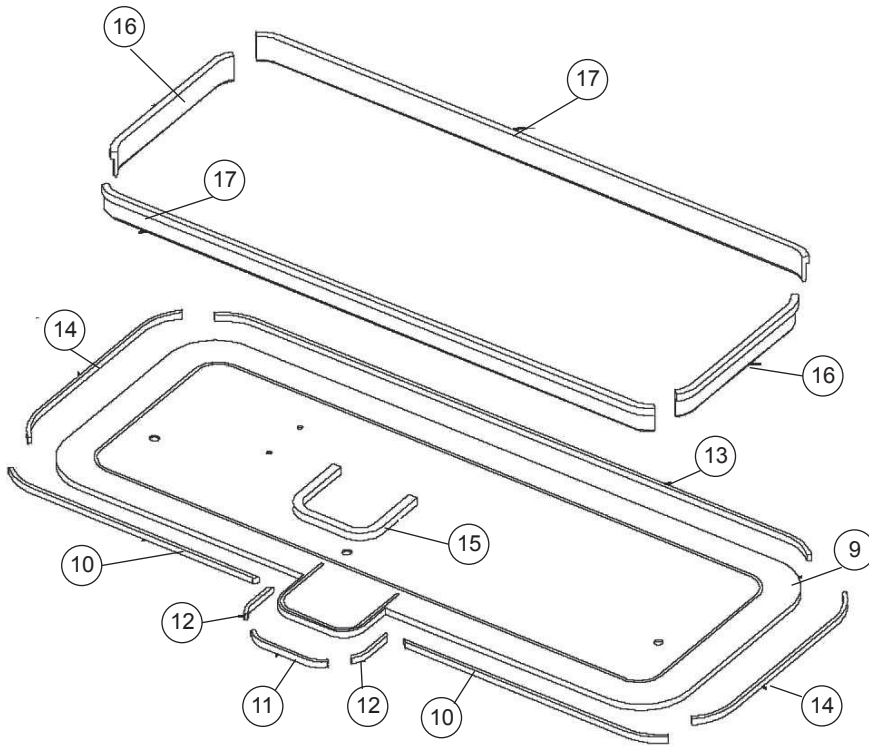
14. Glue the shelving unit (37) on the rear counter, against the back wall. Glue the exhaust fan (6, 36) together and in place on the outside of the back wall.



Holes to drill out for....

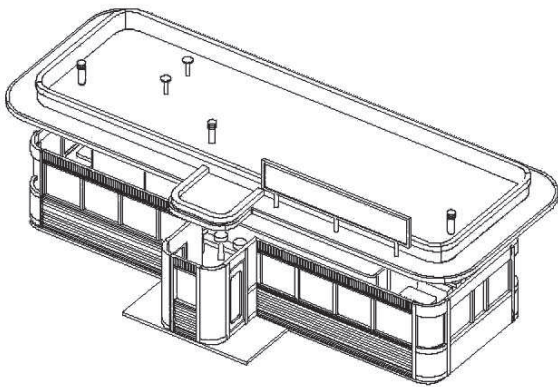
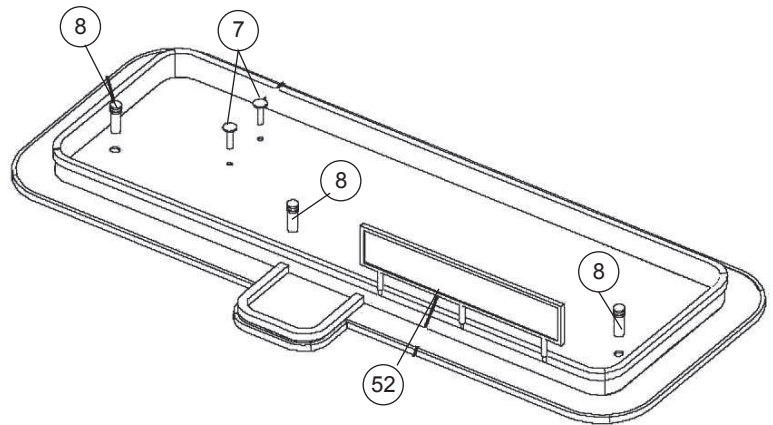
15. Drill out three holes from the bottom of the roof (9) to accommodate the roof sign (52). See illustration to determine which holes to use. Then glue the menu board (28, 29) together and underneath the roof.



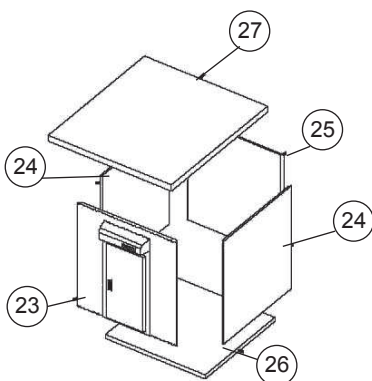


16. Glue the edge roof moldings (10, 11, 12, 13, 14) around the roof (9). Note: Start with moldings #11 and 12 around the entrance.
 17. Glue the top roof moldings (15, 16, 17) into the grooves in the roof (9).

18. Glue the vent (7, 8) into the circular depressions in the roof and then glue the sign (52) into the holes previously drilled out.
 19. You can now glue the roof onto the walls or merely place it on, allowing you to add your signage and change figures and other details at will.



20. Glue the cooler walls (23, 24, 25) together and to the base (26). Then Glue the roof (27) in place.



SIGNS

To mount signs, simply cut the desired item and, using a small amount of white glue on the back, glue it in place.