



# HO Structure Kit

## MEDUSA CEMENT CO

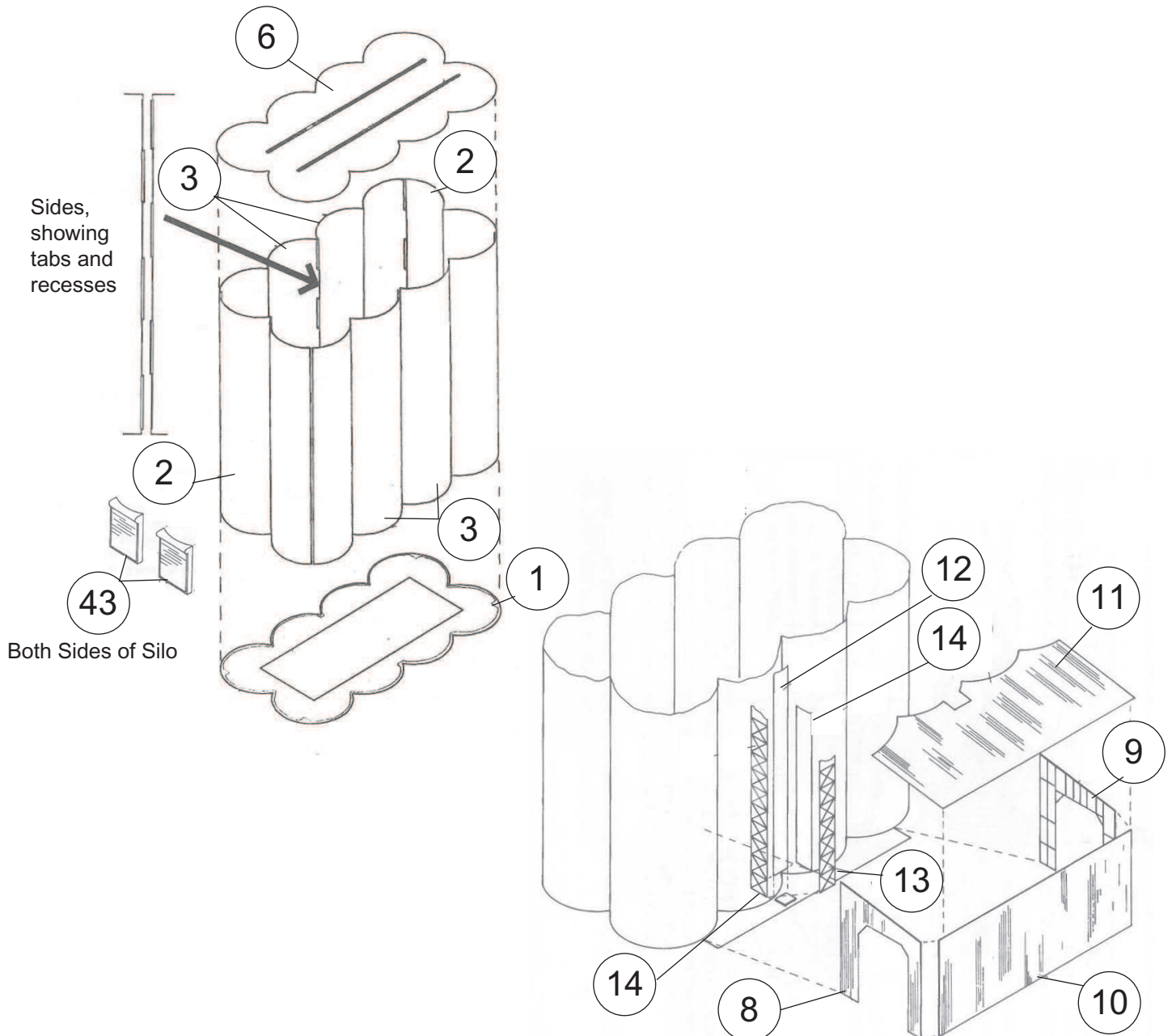
933-3019

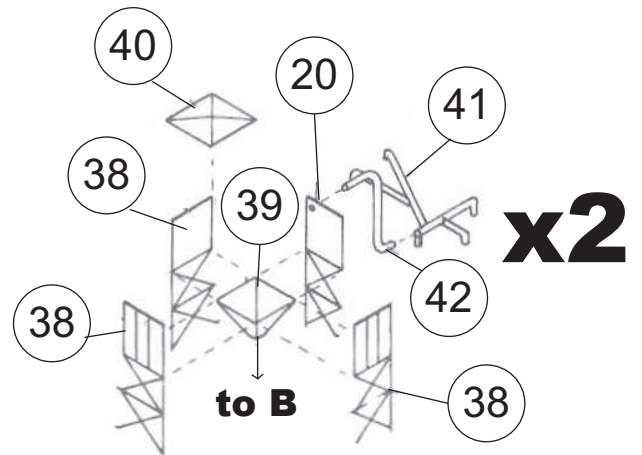
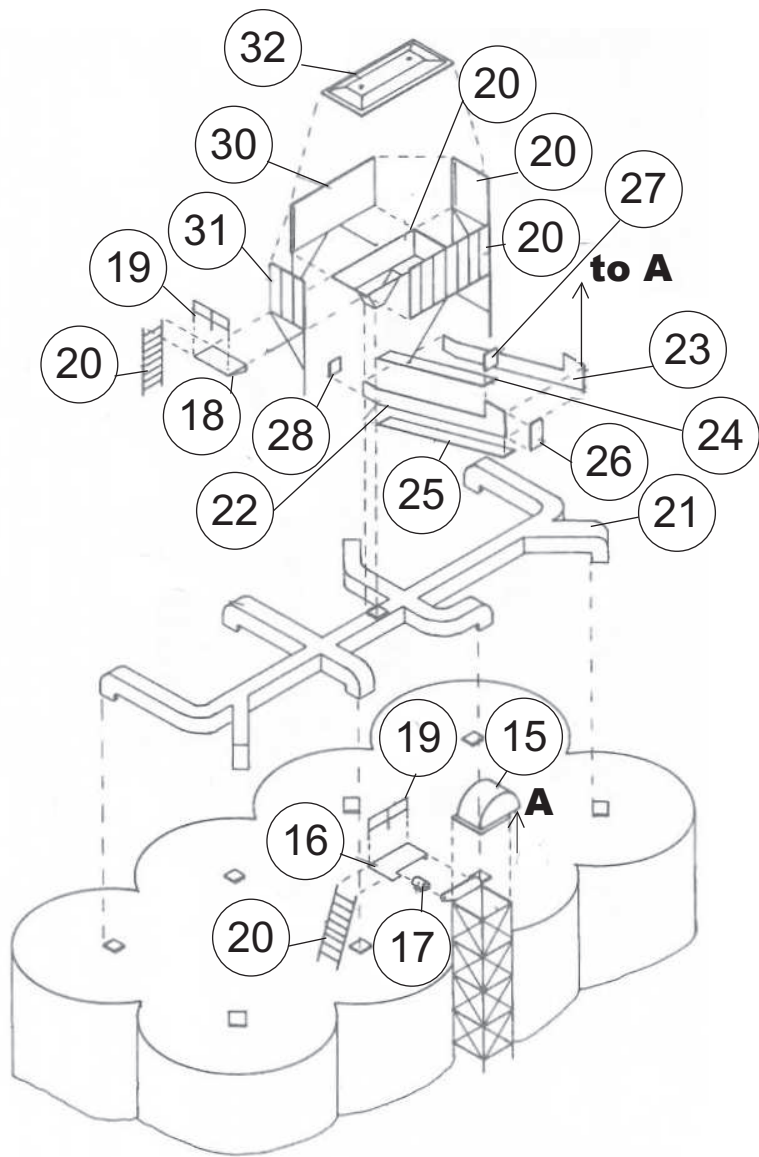
Thanks for purchasing this Cornerstone Series® kit. Please read all instructions and study the drawings before starting. All parts are styrene plastic, so use compatible glue. If you wish to decorate your model, use paints for plastic models. With appropriate details and signs, your finished model fits almost any era.

The Medusa Cement Company will be an important customer for your railroad. Several car loads of cement will be needed every week, which means plenty of through traffic. The plant will also require frequent switching by a yard of wayfreight crew to pick-Up empties and move Loaded cars to the shed. Many plants have their own loco to handle the work, which you can model with Walthers SW-1 Diesel locos. Shipments of bulk cement can be delivered in Cement Hoppers, available separately at your Dealer.

While this plant makes a great stand-alone industry, it can also be used as a storage facility for a concrete products plant. These plants turn out all types of molded concrete products, from huge sewer pipes to lawn ornaments, and require large quantities of powdered cement. A facility of this size may also receive shipments of sand and aggregates by rail.

See your local hobby dealer, Walthers Latest HO Scale Reference book or visit our Web site at [www.waltherscornerstone.com](http://www.waltherscornerstone.com) for additional accessories to complete your new scene.





**DECALING**

1. After cutting out the decal, dip in water for 10 seconds, remove and let stand for 1 minute. Slide decal onto surface, position and then blot off any excess water.
2. Lightly brush Micro Sol® on top. This will soften the decal allowing it to conform to irregular surfaces. **DO NOT TOUCH DECAL while wet!**
3. When the decal is thoroughly dry, check for any trapped air bubbles. Prick them with the point of a small pin or hobby knife blade and apply more Micro Sol®.

