



HO Structure Kit AMTRAK STATION 933-3038

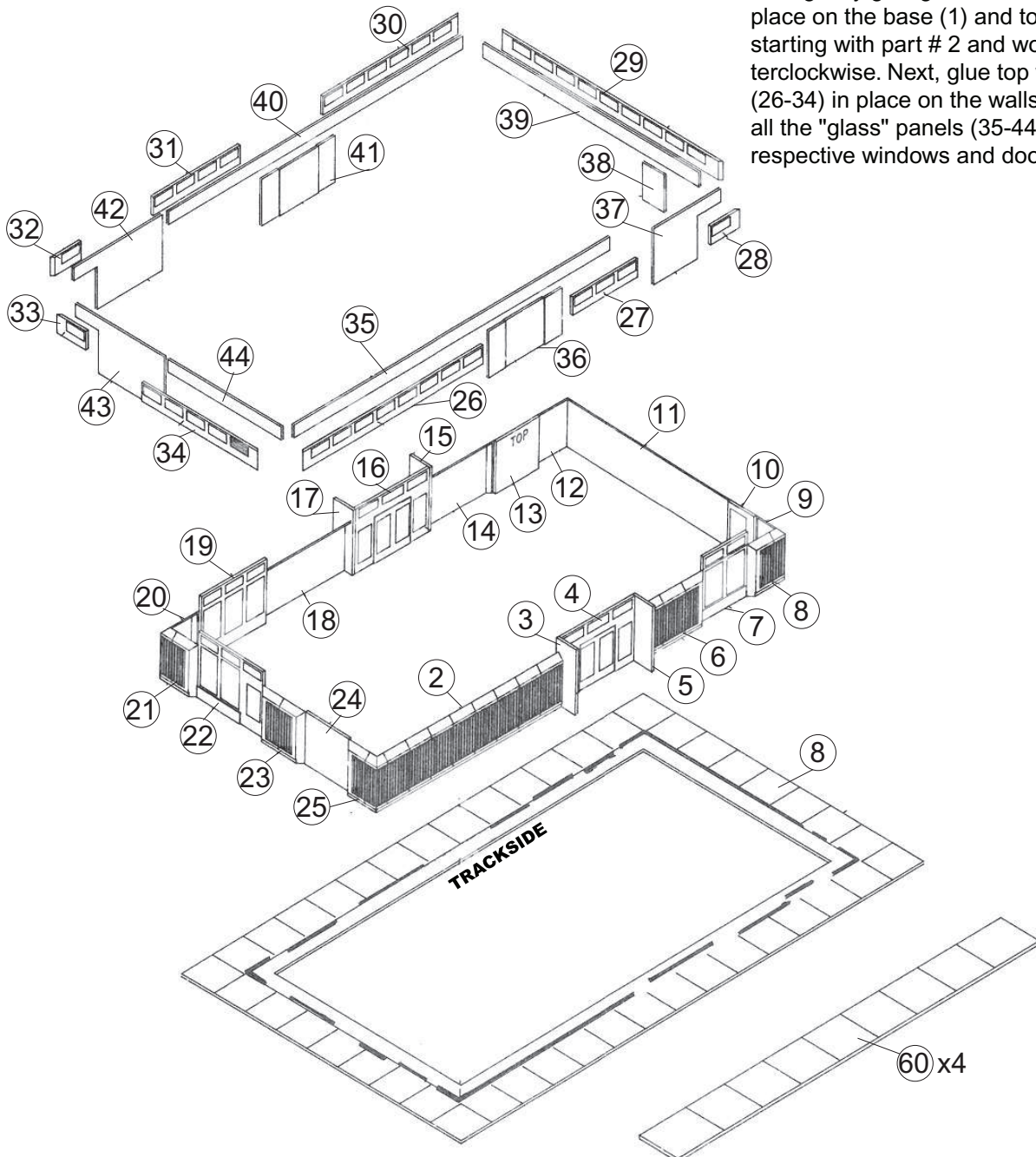
Thanks for purchasing this Cornerstone kit. All parts are made of styrene plastic, so use compatible paint and glue. Please read these instructions and study the drawings before starting construction.

In 1978, Amtrak opened a brand-new station at Rochester, New York. This modern design had very square, clean lines and sported Amtrak's colorful red, white and blue graphics. Shortly there after, Cincinnati, Ohio, and Jacksonville Florida, received new stations, which bore a strong family resemblance to the new design.

Although the floor plan is different for each building due to its size, space is provided for washrooms, a baggage handling area, ticket counter and vending machines, in addition to the waiting room. With its modern look, this station building is perfect for revitalizing passenger service on your railroad.

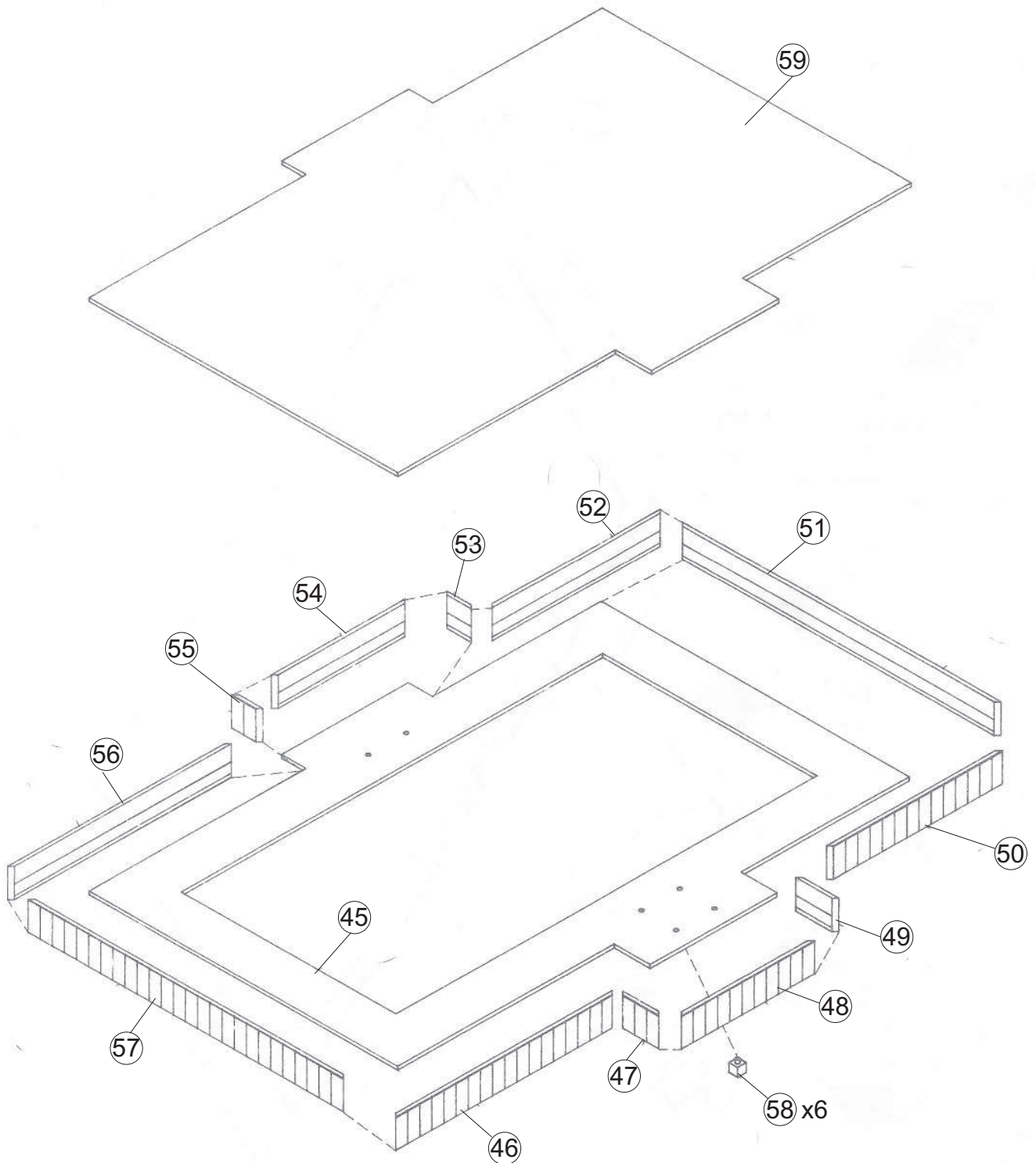
For additional details and accessories to add the finishing touch to your model, visit your local hobby shop, see the current HO Model Railroad Reference Book or visit us online at walthers.com.

1. Begin by gluing the walls (2-25) in place on the base (1) and to themselves, starting with part # 2 and working counterclockwise. Next, glue top windows (26-34) in place on the walls. Then, glue all the "glass" panels (35-44) to their respective windows and doors.



2. Start roof assembly by gluing vertical facing (46) to bottom roof (45). Then, proceed in a counterclockwise direction and glue remaining facings (47-57) in place as shown. NOTE: Bottom roof goes below the lower ridge on the inside of the facings. Now, glue top roof (59), in position, on the top of the upper ridge of the facings. Glue lights (58) in the holes underneath the bottom roof (four by main entrance, two by trackside entrance). Complete by gluing roof assembly in place.

NOTE: You may extend your trackside platform by using the separate sidewalk pieces (60).



SIGNS

To mount signs, simply cut the desired name and use a small drop of white glue on the back. Glue in place.