



# HO Structure Kit LP STORAGE TANKS 933-3129

Thanks for purchasing this Cornerstone Series® kit. Please read these instructions and study the drawings before starting. All parts are styrene, so use compatible glue and paint to assemble your model.

Propane is one of the most common fuels for home and industrial heating and can also be used as a fuel for motor vehicles. The gas is easily converted into a liquid, under pressure and at low temperatures, but insulated, cylindrical tanks are required to store it.

Many industrial users who need a large supply of fuel to run forges, furnaces or other drying equipment, often have their own tanks on site. These may be located near a rail siding, as each tank usually holds about the same amount of propane as the 65' tank cars used in this service

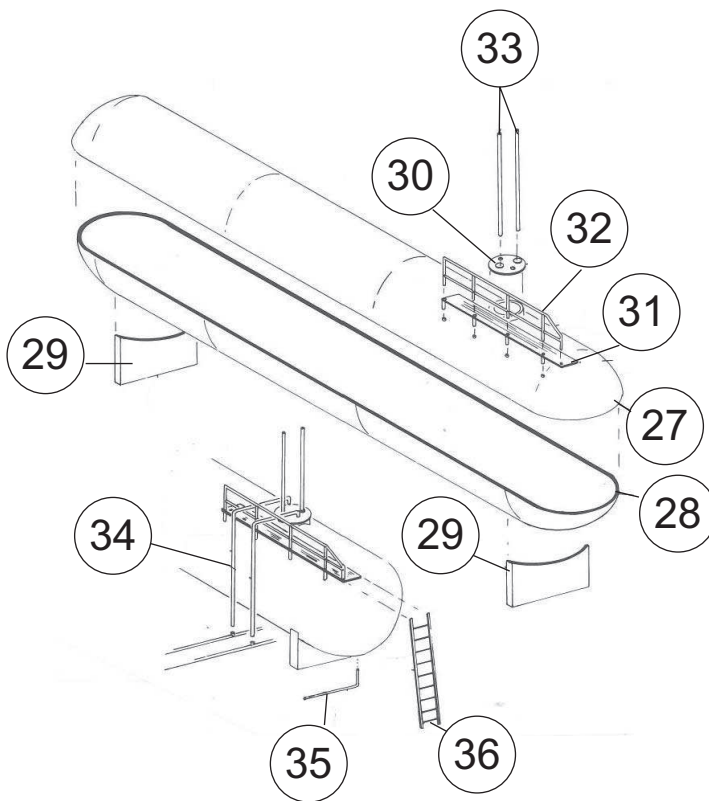
See your dealer, check out the latest Walthers HO Scale Model Railroad Reference book or visit [waltherscornerstone.com](http://waltherscornerstone.com) for more ideas to detail your new model.

For use as anhydrous ammonia facility cut two vent pipes (33) to approximately 3/8" long. Assemble the two tanks halves (27, 28). Add the pipes and fittings as shown. Note that parts 34 go between the rails on Part 32.

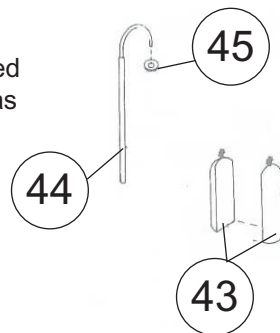
**(There will be extra parts remaining that are not needed.)** Assemble the piperuns as shown.

### DECALING

1. After cutting out the decal, dip in water for 10 seconds, remove and let stand for 1 minute. Slide decal onto surface, position and then blot off any excess water.
2. Lightly brush Micro Sol® on top. This will soften the decal allowing it to conform to irregular surfaces. **DO NOT TOUCH DECAL while wet!**
3. When the decal is thoroughly dry, check for any trapped air bubbles. Prick them with the point of a small pin or hobby knife blade and apply more Micro Sol®.



The accessories are assembled as shown and can be placed as needed around the model.



Tank Car Unloading Rack

