



HO Scale Structure Kit PLATFORM SHELTERS 933-3175

Thanks for purchasing this Cornerstone Series® kit. Please read all instructions and study the drawings before starting — directions for the interior graphics are printed directly on that sheet. All parts are styrene plastic, so use compatible glue. If you wish to decorate your model, use paints for plastic models. With appropriate details and signs, your finished model fits almost any era.

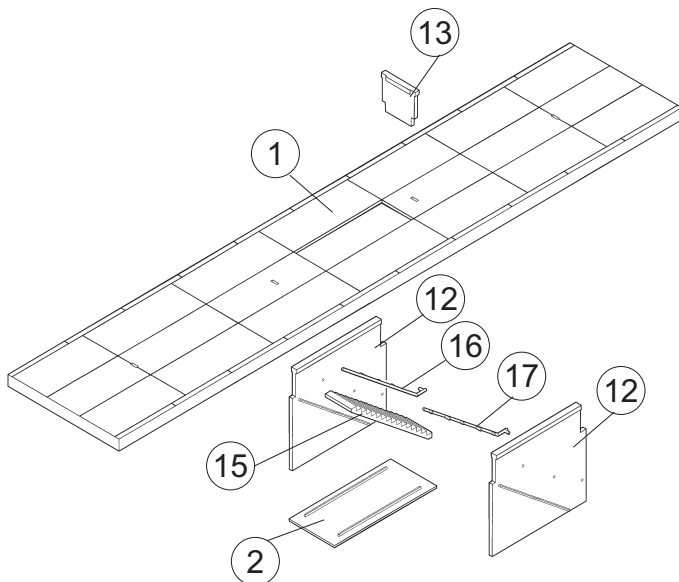
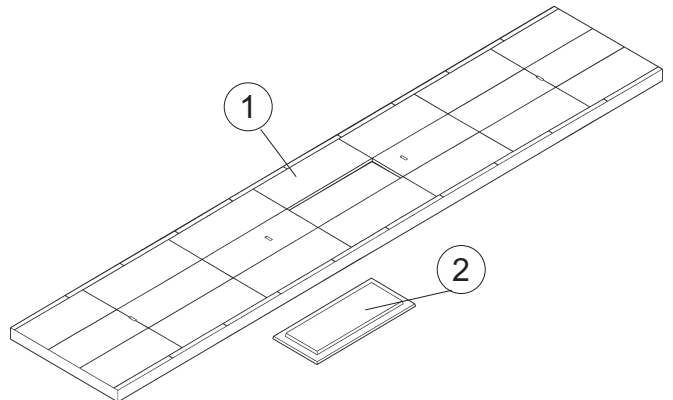
An almost universal design, your new model is equally at home in a big city station scene or as part of a suburban terminal. It fits easily into steam-, transition- or diesel-era with no modifications. Parts are included to build four 11" 27.5cm long platforms, but the modular design makes it easy to build two 22" 55cm platforms by combining parts; longer platforms can also be built using additional kits, sold separately.

As the platforms are open on all sides, they're a natural for adding details which visitors can see and admire. A wide range of baggage handling equipment from various eras, as well as luggage is available that will turn your platforms into detailed scenes with a minimum of time and effort.

For more Cornerstone Series® kits as well as additional details to complete your scene, see your hobby shop, check out the latest Walthers HO Model Railroad Reference Book and our Website at waltherscornerstone.com.

1. You have the option of building stairwells that descend below two of the platforms. For the platforms that will not have the stairwells, simply glue the plug (2) into the hole from the bottom of the platform base (1).

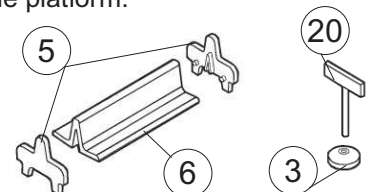
2. The first thing to do when assembling the stairwells is to glue the railings (16,17) into the holes on the inside of the well sides (12). Note: Both sides of the well walls are the same. Next glue the stairs (15) to the inside ridges of the well sides. Glue the sides to the floor (2). Now insert the well up through the hole in the platform base (1) and glue in place. Glue the end wall (13) to the ends of the well sides (opposite of where the stairs descend) on top of the platform. Note: You will have to cut a hole in your layout base for each of the stairwells that you build.



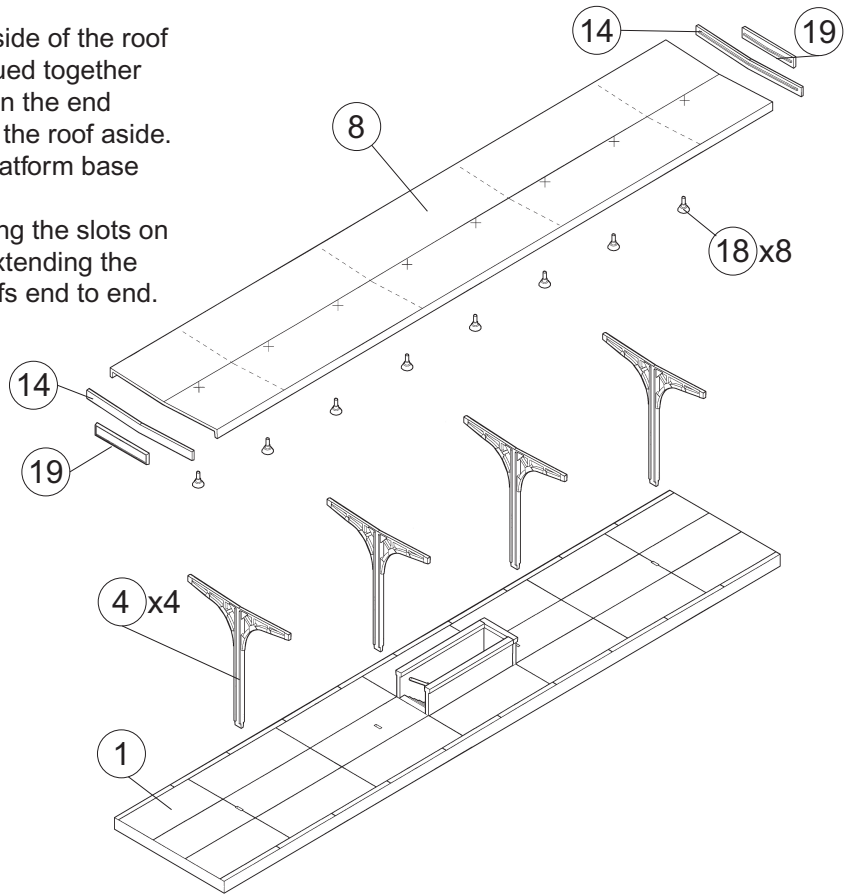
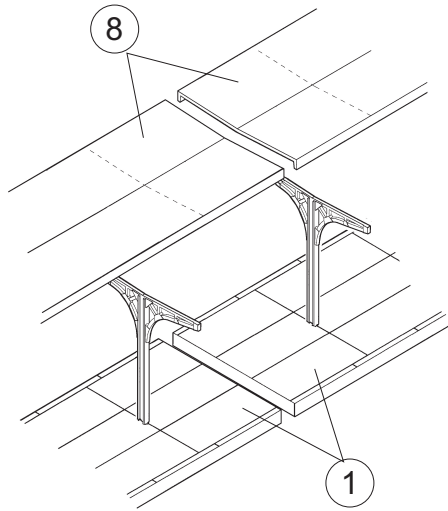
Bench and Sign Assembly

Glue the benches (5,6) together and place or glue one on each platform.

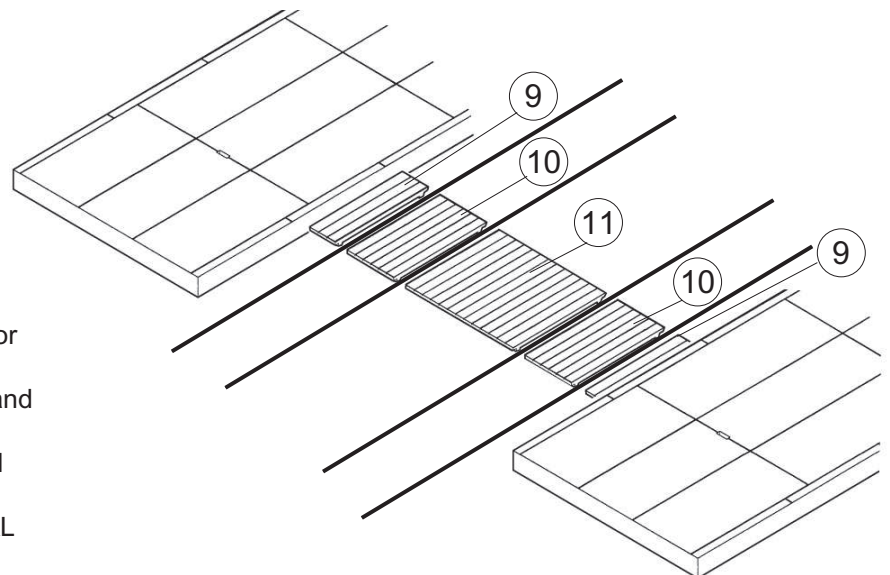
Glue the signs (3,20) together and place one at the end of each platform with the signboard facing the platform.



3. Glue the lamps (18) into the holes on the under side of the roof (8). Then, on the ends of the roof that will not be glued together with an adjoining roof from another platform, glue on the end board (14) and also the sign board (19) to that. Put the roof aside.
4. Glue the roof supports (4) into the slots on the platform base (1).
5. Glue the roof in place on top of the supports, using the slots on the under side of the roof to position. Note: when extending the length of the platform simply glue the platforms/roofs end to end.



6. Place the crosswalks (9,10,11) between the rails and the platforms as shown. Note: You may modify the length of the crosswalks by cutting them or by butting them end to end. Part #10 is made to go between the rails of a piece of track while parts #'s 9 and 11 are used to go between other sets of track and/or the platform.



DECALING

1. After cutting out the decal, dip in water for 10 seconds, remove and let stand for 1 minute. Slide decal onto surface, position and then blot off any excess water.
2. Lightly brush Micro Sol® on top. This will soften the decal allowing it to conform to irregular surfaces. DO NOT TOUCH DECAL while wet!
3. When the decal is thoroughly dry, check for any trapped air bubbles. Prick them with the point of a small pin or hobby knife blade and apply more Micro Sol®.