



N Scale Kit

BUTTERFLY-STYLE STATION PLATFORM SHELTERS

933-3258

Thanks for purchasing this Cornerstone Series® kit. Please read these instructions and study the drawings before starting. All parts are styrene, so use compatible glue and paint to assemble your model.

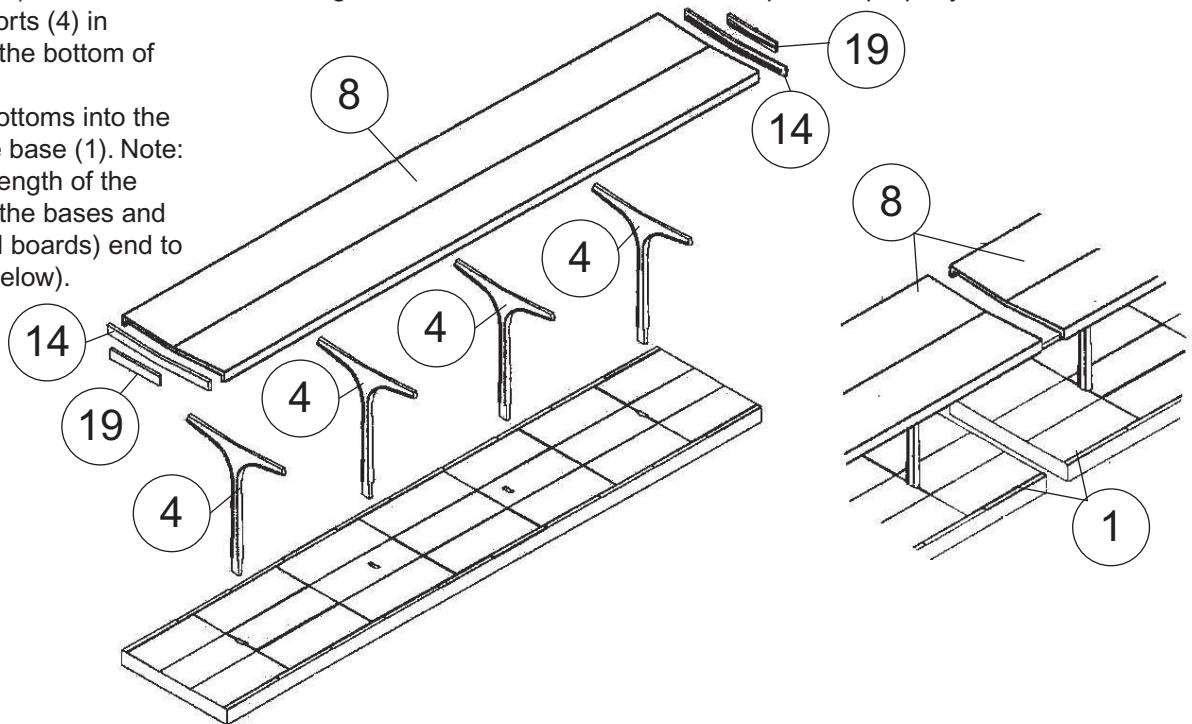
An almost universal design, your new model is equally at home in a big-city station scene or as part of a suburban terminal. It fits easily into steam-, transition- or diesel-era with no modifications. Parts are included to build four individual platforms, but the modular design makes it easy to build longer platforms by combining parts or using additional kits, sold separately. These platforms are an ideal accessory for use with the Union Station (#933-3257), and can easily be arranged to model a head or through station area to fit your layout. Since the Butterfly design was used by many railroads, the platforms are equally at home with other large or small station kits. As the platforms are open on all sides, they're a natural for adding details which visitors can see and admire. A wide range of baggage handling equipment and luggage is available that will turn your platforms into detailed scenes with a minimum of time and effort.

For more ideas to detail your scene, ask your dealer, visit our Web-site waltherscornerstone.com or see the latest Walthers N&Z Scale Model Railroad Reference Book.

1. Note: You have the option of gluing the platforms together end to end or using each separate. On the ends of the roof (8) that will not be glued together with an adjoining roof from another platform, glue on the end board (14) and also the sign board (19). Note: Use the locator ledges on the backs of #'s 14 and 19 to position properly.

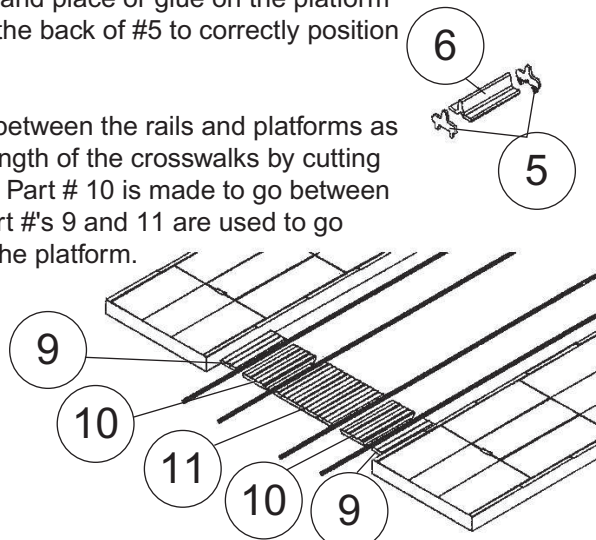
2. Glue the roof supports (4) in between the slots on the bottom of the roof (8).

3. Glue the support bottoms into the slots on the top of the base (1). Note: When extending the length of the platform, simply glue the bases and roofs (without the end boards) end to end (see illustration below).



4. Glue the benches (5, 6) together and place or glue on the platform base. Note: Use the raised tabs on the back of #5 to correctly position #6.

5. Place the crosswalks (9, 10, 11) between the rails and platforms as shown. Note: You may modify the length of the crosswalks by cutting them or by butting them end to end. Part # 10 is made to go between the rails of a piece of track while part #'s 9 and 11 are used to go between other sets of track and/or the platform.



DECALING

1. After cutting out the decal, dip in water for 10 seconds, remove and let stand for 1 minute. Slide decal onto surface, position and then blot off any excess water.
2. Lightly brush Micro Sol® on top. This will soften the decal allowing it to conform to irregular surfaces. DO NOT TOUCH DECAL while wet!
3. When the decal is thoroughly dry, check for any trapped air bubbles. Prick them with the point of a small pin or hobby knife blade and apply more Micro Sol®.