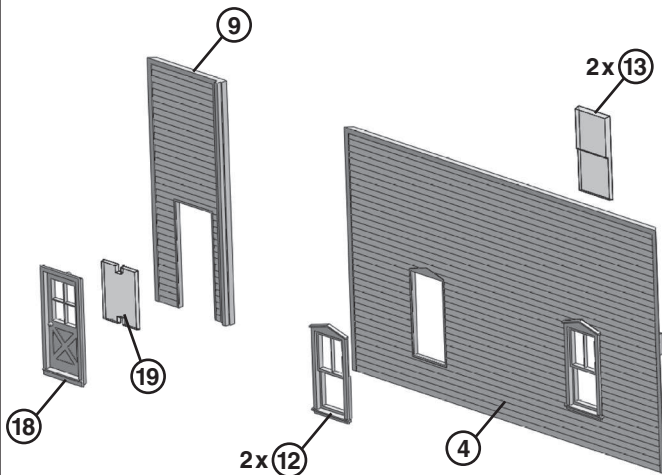
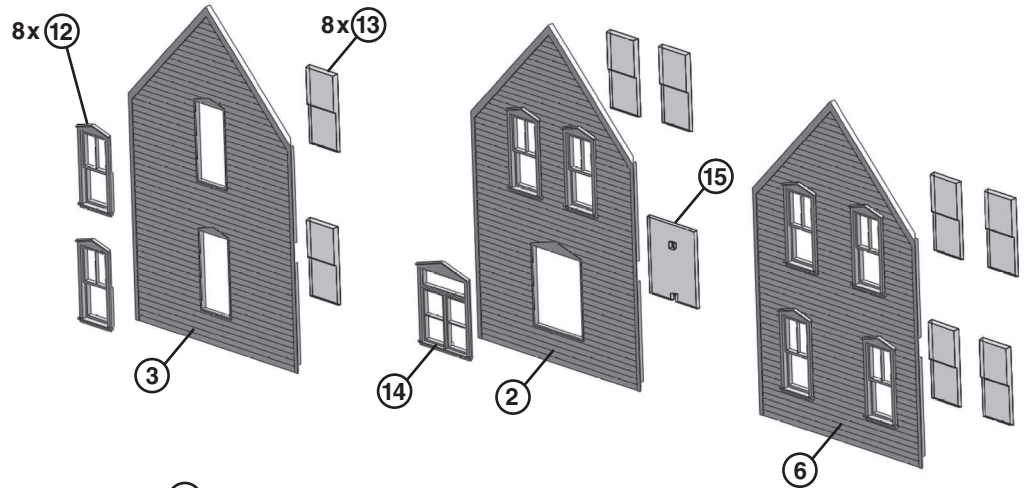




HO Structure Kit LANCASTER FARMHOUSE 933-3333

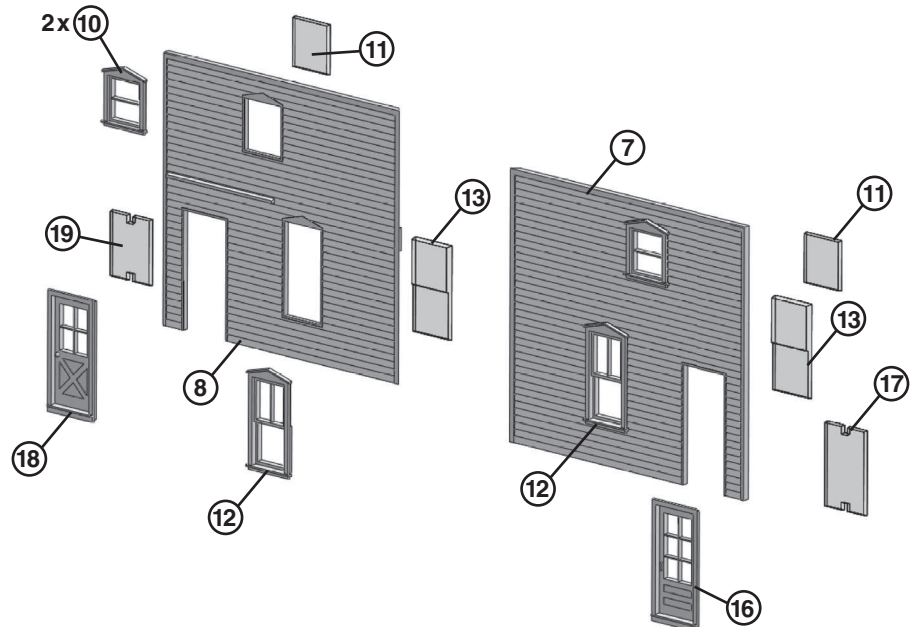
Thanks for purchasing this Cornerstone kit! All parts are styrene, so use compatible glue and paint. For more ideas to detail your scene, ask your dealer, visit our Web-site waltherscornerstone.com or see the latest Walthers HO Scale Model Railroad Reference Book.

1. Begin assembly by installing window frames (12, 14) to the outside of wall sections (2, 3, 4, 6) as shown. Apply glass (13, 15) to frames from behind.

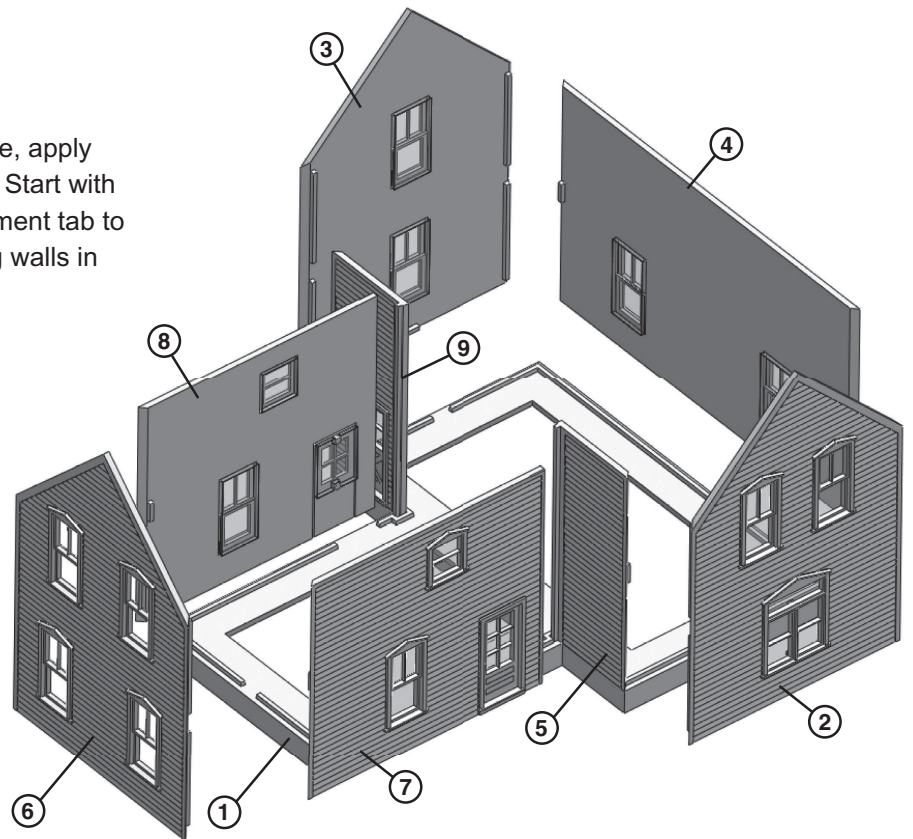


2. Add door (18) to outside of wall (9), and then clear glass (19) to back side of door.

3. Wall 7 will become the "front" of the model. Wall 8, is the "rear" of the model. Install all frames (10, 12, 16, 18), and clear glass (11, 13, 17, 19).

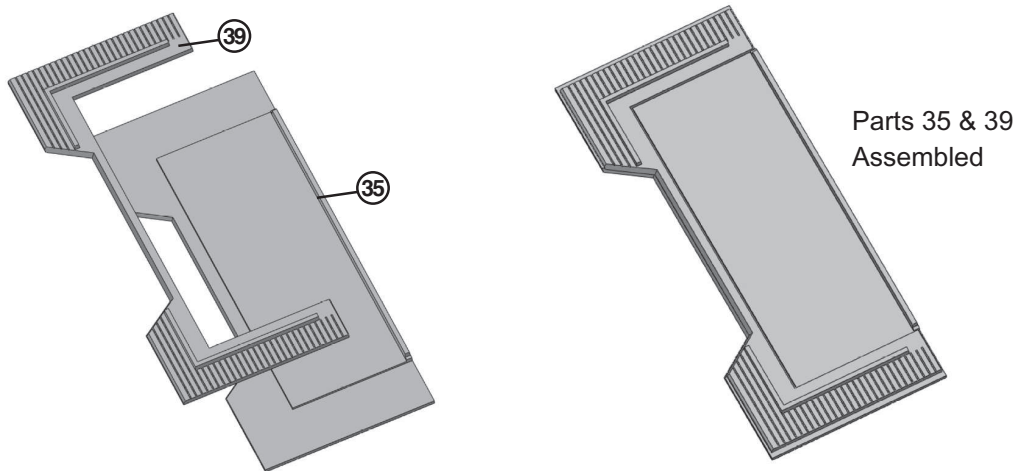


4. With each wall sub assembly done, apply walls 2, 3, 4, 5, 6, 7, 8, 9 to base 1. Start with wall 2 first, as this wall has an alignment tab to aid positioning. Apply the remaining walls in clockwise order.

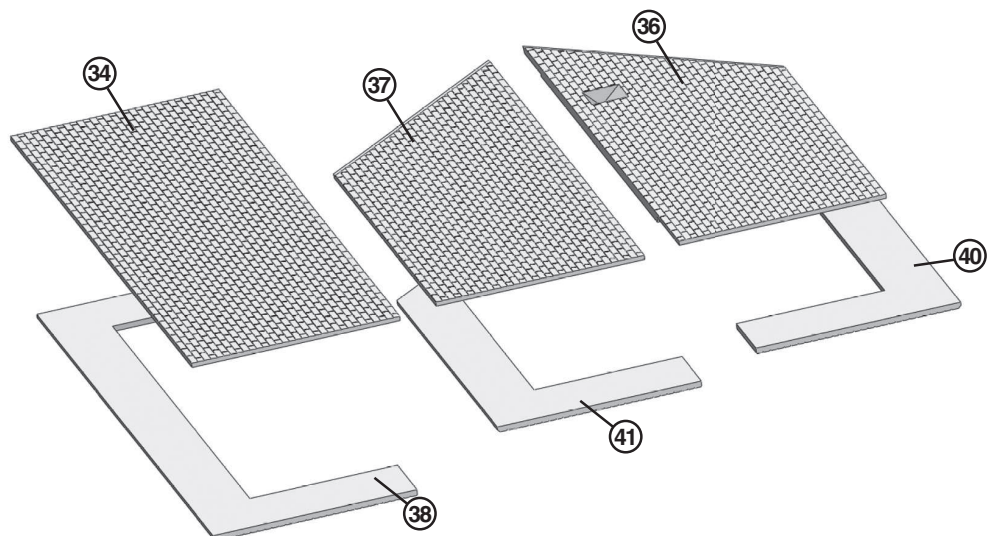


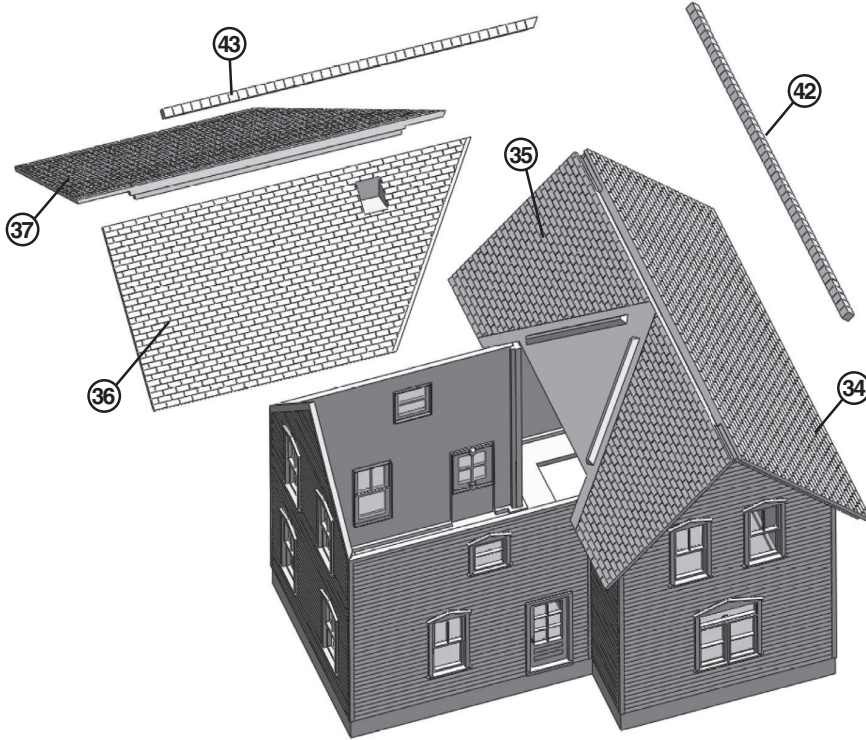
5. Making sure it's centered properly, glue soffit detail (part 39) to the underside of roof section 35.

5A. (view of assembled roof for reference)



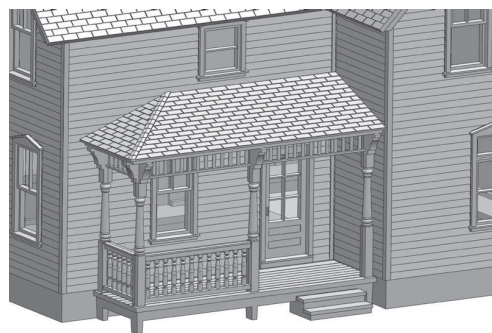
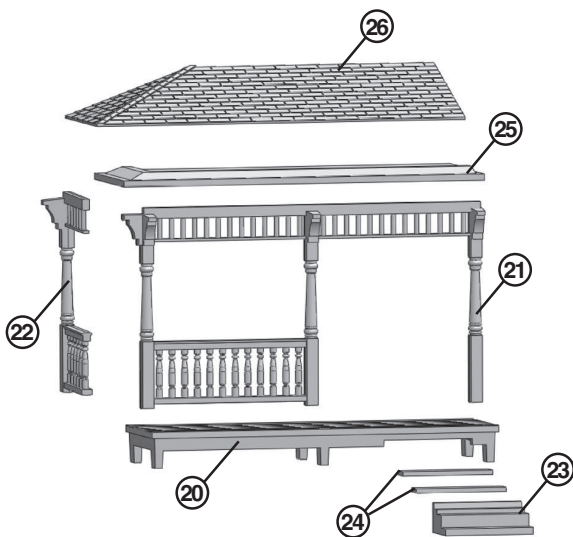
6. Repeat this procedure for roof parts (34, 36, 37) and soffit detail (38, 40, & 41).



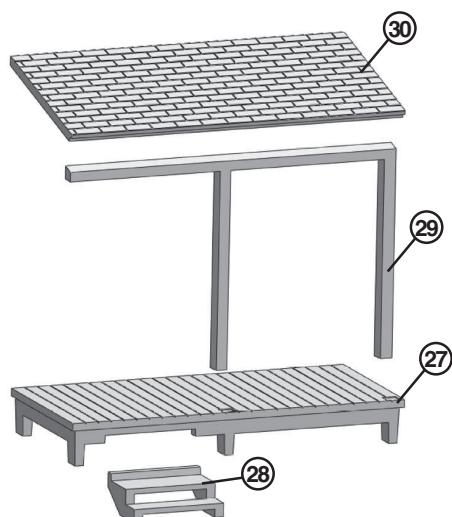


7. Apply roof assembly (35) to model first, then assembly (34) next. Sections 36 and 37 are then added. Roof Ridges 42 and 43, are placed between each assembly as shown.

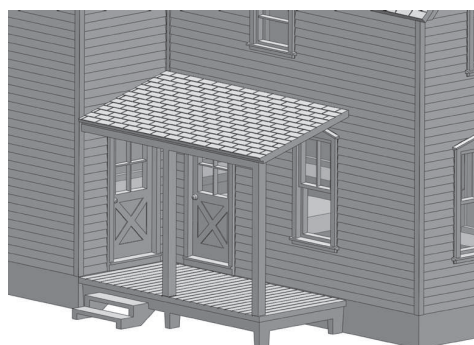
8. Add long and short railings (21, 22) to porch deck (20). Glue porch ceiling (25) to underside of roof (26), and add to the top of the railings. Be sure stair treads (24) are centered when glued to steps (23).



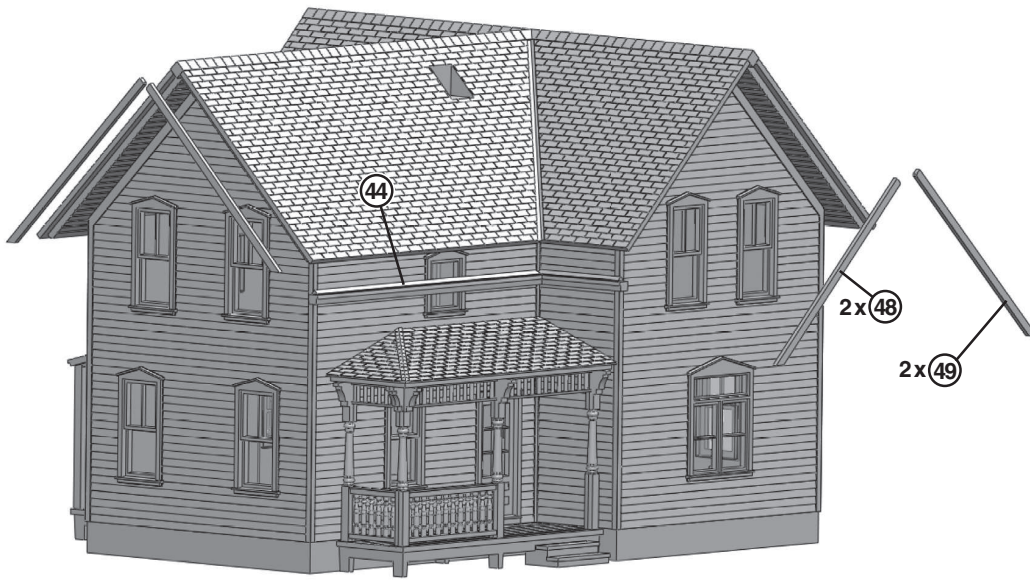
8A. Add assembly from step 8 to front of model as shown.



9. Back porch consists of items 27, 28, 29, 30. DO NOT GLUE ROOF (part 30) at this time! It is recommended to start by adding the Back Porch Roof Support (29) to porch deck 27 - make sure part 29 is straight. Add stairs (28) next.

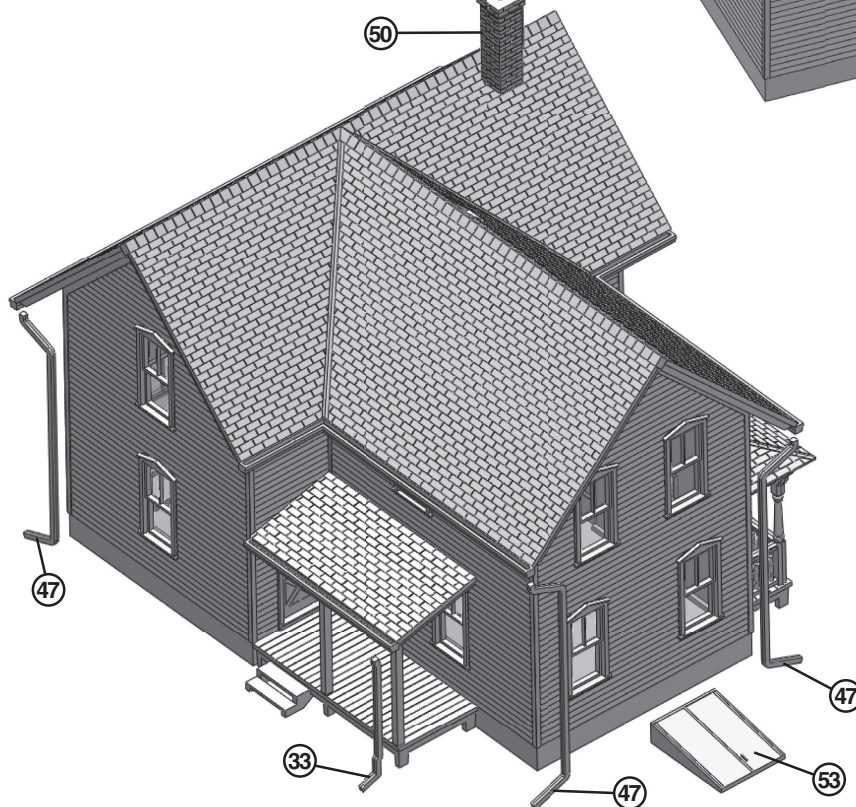
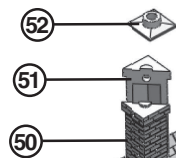
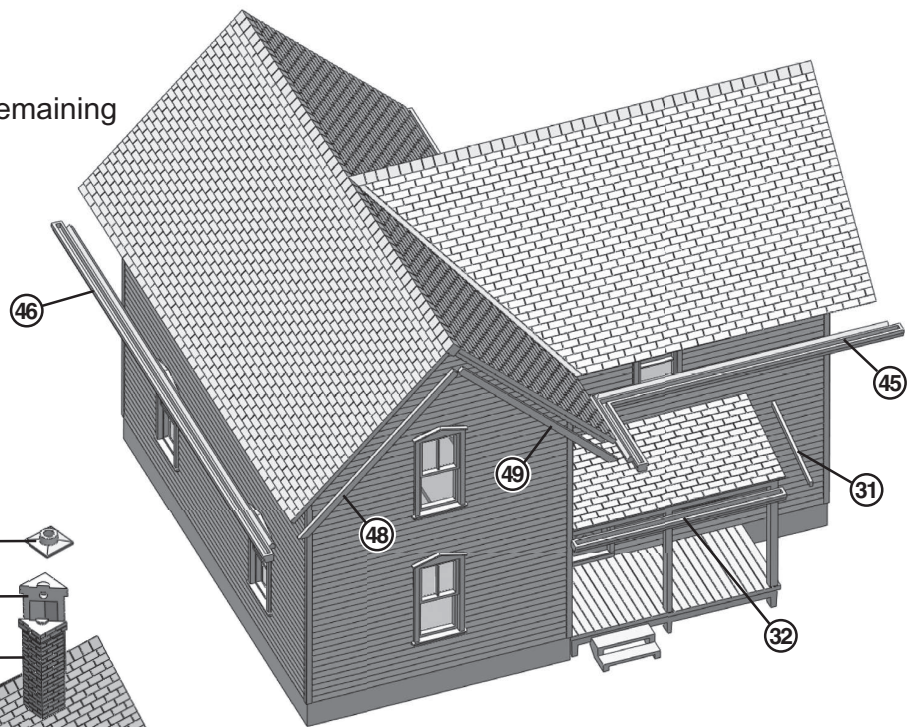


9A. When assembly from step 9 is dry, add it to the back of the model. Glue roof (30) to top of locating ridge on wall, and top of roof support 29.



10. Front gutter (44) and eave trim (48, 49) are added next. Gutter fits up under soffit detail. Please note the proper orientation of parts 48 and 49 - the notches at the top of the part face each other to clear the roof ridge.

11. Repeat the process for the remaining gutter and trim parts, as shown.



12. Chimney halves (50, 51) are glued together, and finished with cap (52). Add this to the recess on the front roof. Down spouts, (33, 47) are glued to the walls as indicated. Important Note: Part 47 should be parallel with the edge of the wall. Top of part 47, should be flush against the bottom of the gutters for proper appearance. Finish by adding cellar doors (53) in position shown.