



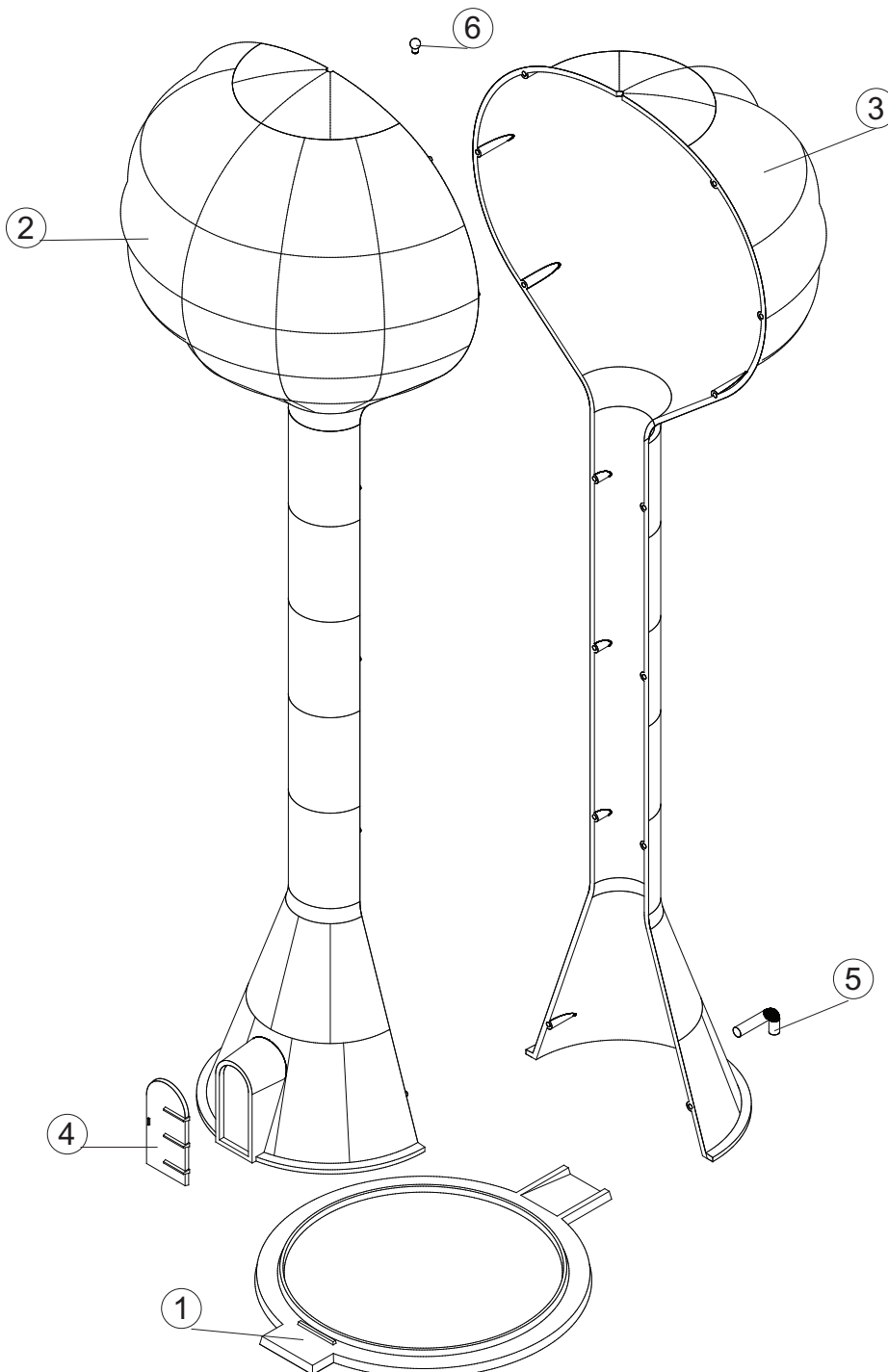
HO Structure Kit MODERN WATER TOWER 933-3528

Thanks for purchasing this Cornerstone kit. All parts are made of styrene plastic, so use compatible paint and glue. Please read these instructions and study the drawings before starting construction.

Standing tall above towns and villages across the continent, these landmarks have been part of the North American landscape since the 1960s. In use, water towers like this maintain a constant pressure in the underground supply pipelines during periods of peak demand. Most towns and many large industries have at least one.

Because they're usually the first thing visitors see, most have the village or business name on the side. Some are also adorned with the state, town slogan or logo, and occasionally, a big happy face.

For additional details and accessories to add the finishing touch to your model, visit your local hobby shop, see the current HO Model Railroad Reference Book or visit us online at walthers.com.



DECALING

1. After cutting out the decal, dip in water for 10 seconds, remove and let stand for 1 minute. Slide decal onto surface, position and then blot off any excess water.
2. Lightly brush Micro Sol® on top. This will soften the decal allowing it to conform to irregular surfaces. **DO NOT TOUCH DECAL while wet!**
3. When the decal is thoroughly dry, check for any trapped air bubbles. Prick them with the point of a small pin or hobby knife blade and apply more Micro Sol®.