



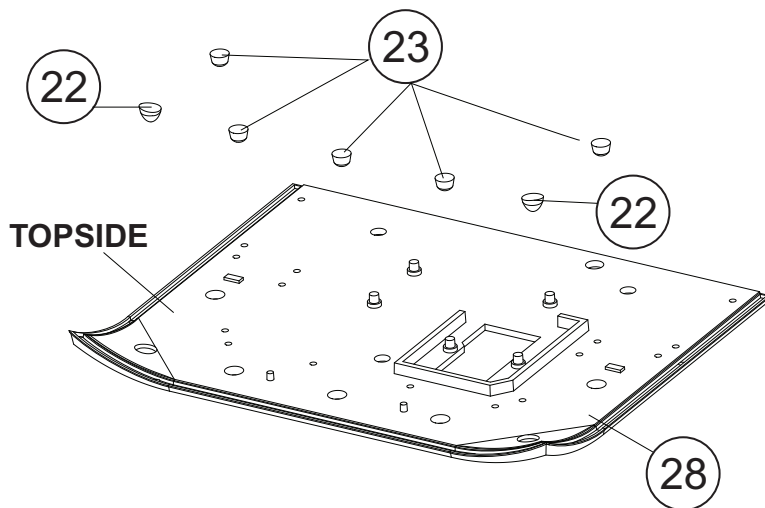
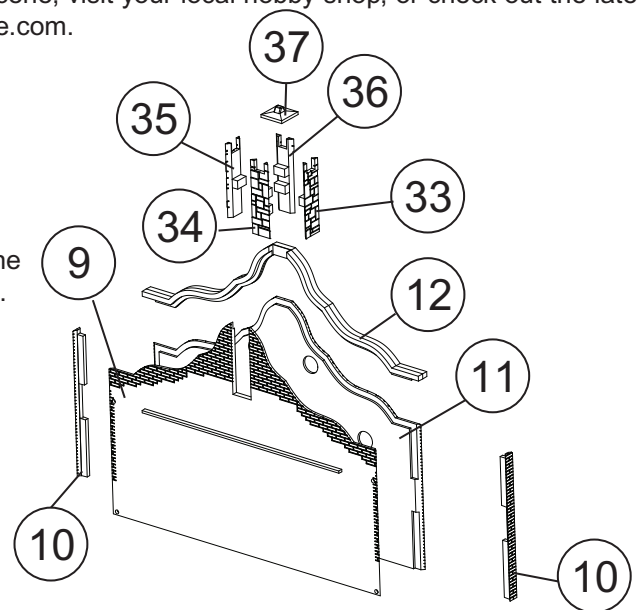
HO Structure Kit THE GOLDEN DRAGON TAKEOUT 933-3780

Thanks for purchasing this Cornerstone kit! All parts are styrene plastic, so use compatible glue and paint to complete your model. Please take a few minutes to read these instructions and study the drawings before beginning.

It may surprise you to learn that pizza, French fries, catsup, chop suey, bagels, apple pie and many other "All-American" foods really trace their origins to other countries! Many arrived with immigrants as recipes from home, but that began to change during both World Wars when soldiers anxious for something different from typically bland military rations, discovered small eateries where they were stationed and dishes that had previously been virtually unknown outside of ethnic neighborhoods in the largest American cities. Back home, they sought out local sources for their new favorites and introduced them to family and friends. That opened the door to expansion of ethnic restaurants of all kinds, many of which located in neighborhood storefronts, or remodeled existing structures that had once served other businesses.

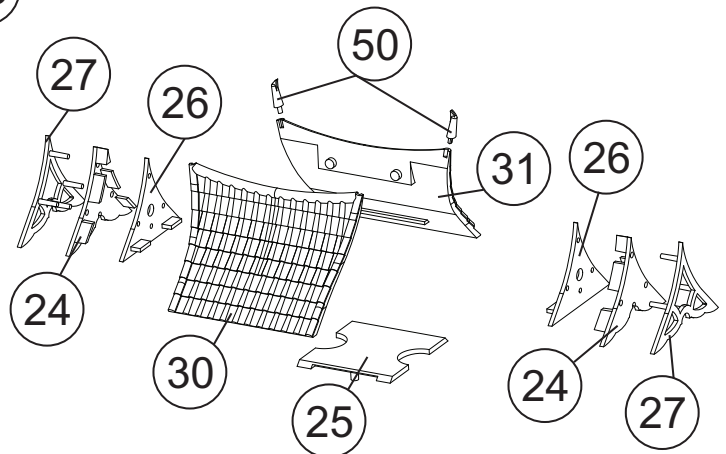
For additional details and Cornerstone kits to model a complete city scene, visit your local hobby shop, or check out the latest Walthers HO Model Railroad Reference Book and waltherscornerstone.com.

1) Begin by gluing the Rear Wall Halves (9, 11) to each other at the attachment pins. Add End Caps (10) next, and Cap Trim (12) last. Assemble Chimney parts (33, 34, 35, 36, 37) as shown and set aside - do not add it to the rear wall at this time!



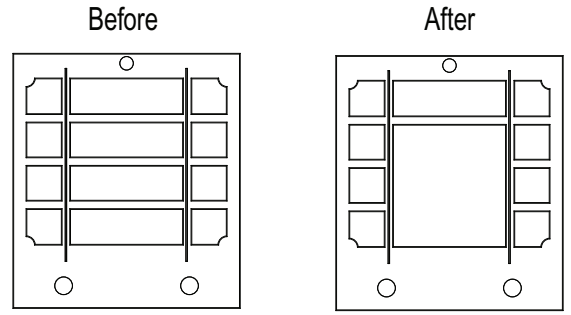
2) Press Lamp Fixtures (22, 23) into the locations shown in Ceiling Assembly (28). The Fixtures should be flush with the top surface of Part 28. Note: Part 22 has a curve cast into the top that matches the corner curve. When installed properly, the curves align to form a smooth surface. Secure each Fixture with a small drop of glue.

3) Glue the Front and Rear Halves (30, 31) of the Upper Roof to each other, and to Spacer (25) as shown. Decorate Glass (24) with the provided decals. Lay Trim Plate (27) face down on a flat surface, and using the alignment pegs, press on Glass (24) and Backing Plate (26) to the pins. A drop of glue on each pin end will hold the assembly together. Repeat this process for the other side. Test fit each assembly to the Upper Roof, make any adjustments for a proper fit, then glue in position. Finish by adding the Decorative Tops (50) last. Be careful, as part 50 is fragile and easily broken with rough handling!

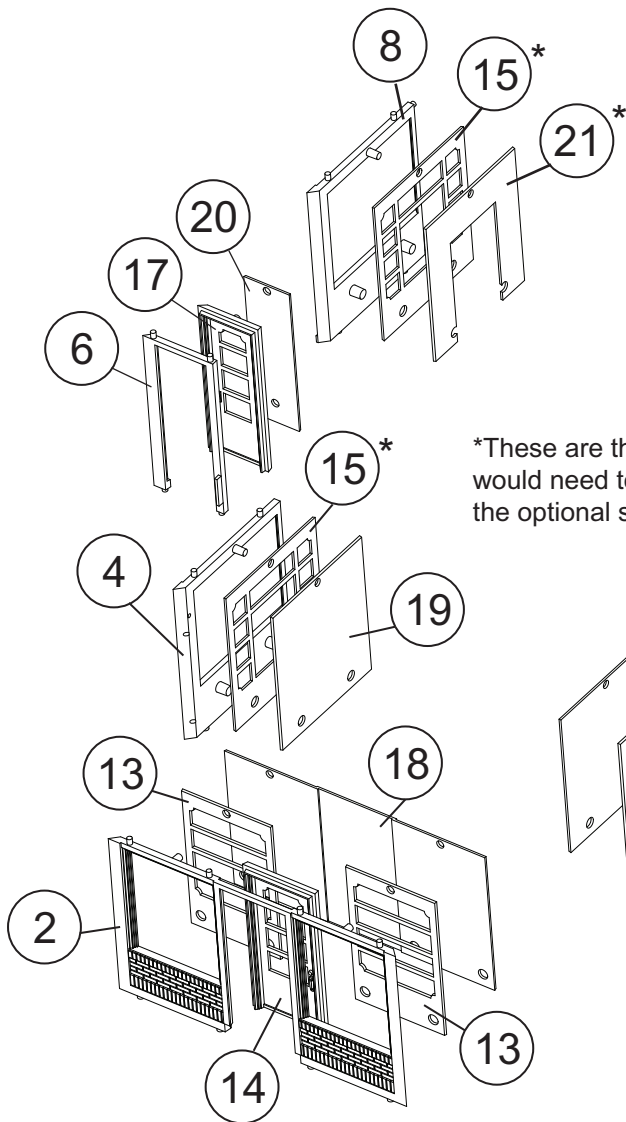
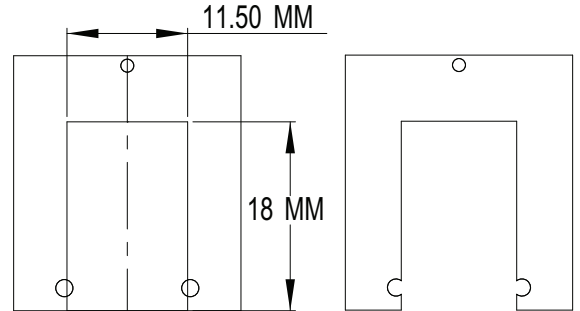


4) NOTE: This step is optional. To change the look of the kit, and add a Drive-Thru / Pick-Up window, remove the shaded areas from the parts indicated. Use care, as the parts are fragile. We recommend you measure and scribe the dimensions on Frosted Glass (21) first. Drill out the corners with a #60 Drill Bit, then cut out the remaining portion with a sharp knife blade.

Window Frames
#15
Qty: 4

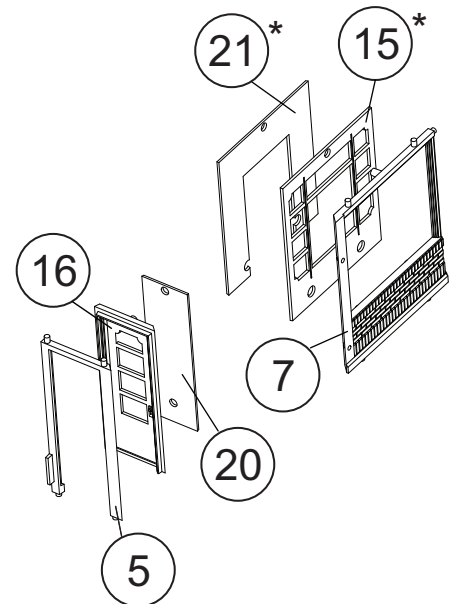


Frosted Glass #21 -
for Drive-thru Service
Qty: 2

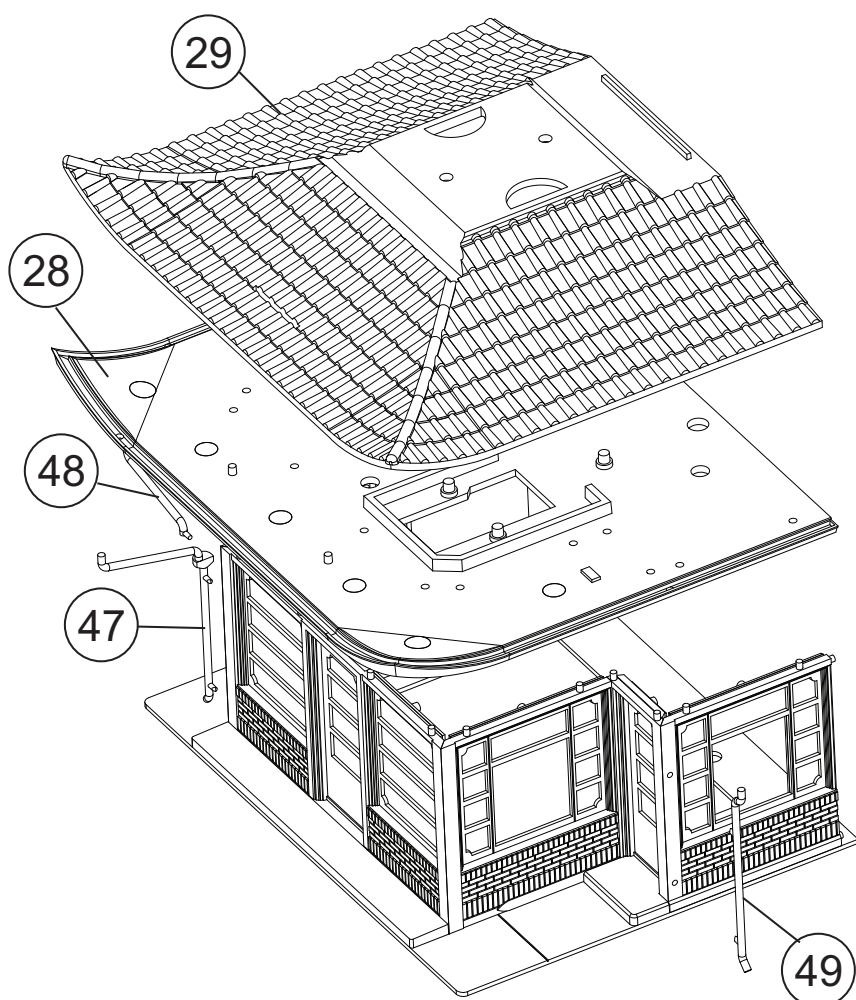
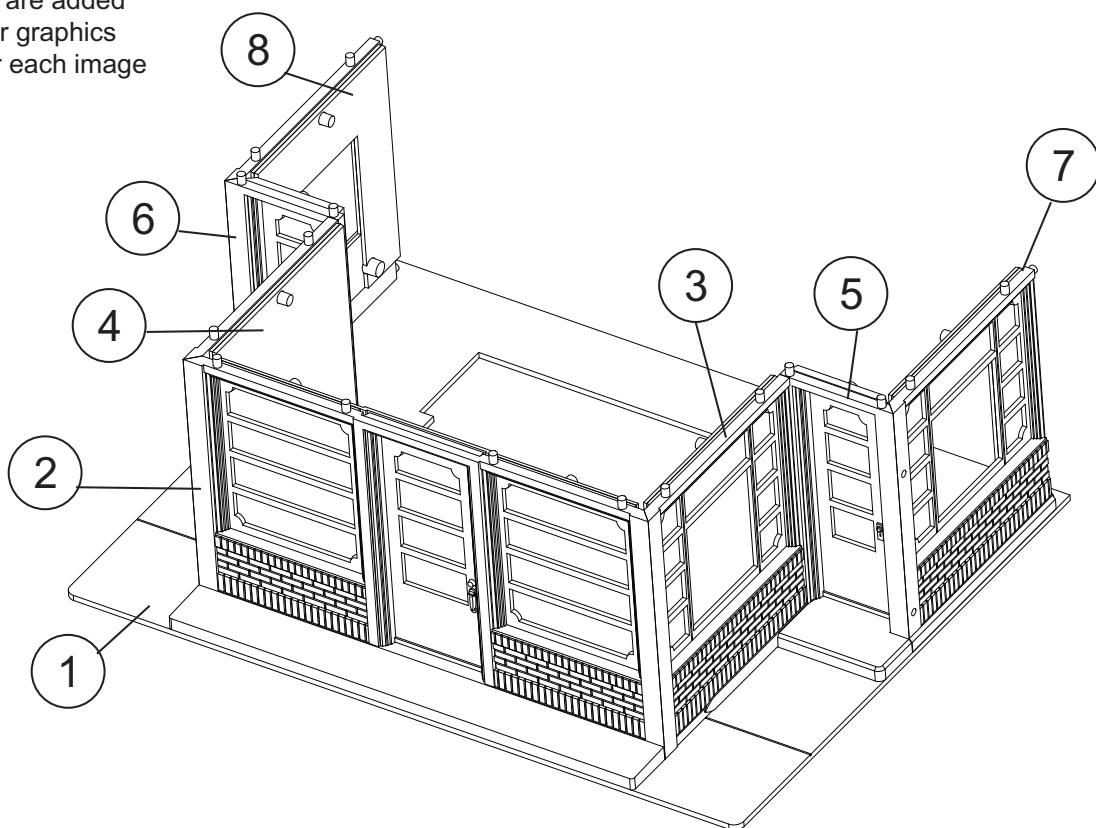


*These are the parts that would need to be modified in the optional step #4

5) Build up each Wall (Wall, Window Frame, Door and Glass) with the parts illustrated to create assemblies. Do not glue completed assemblies to each other - a specific order will be required. Asterisks indicate Modified Parts (if you chose to do so in Step 4).

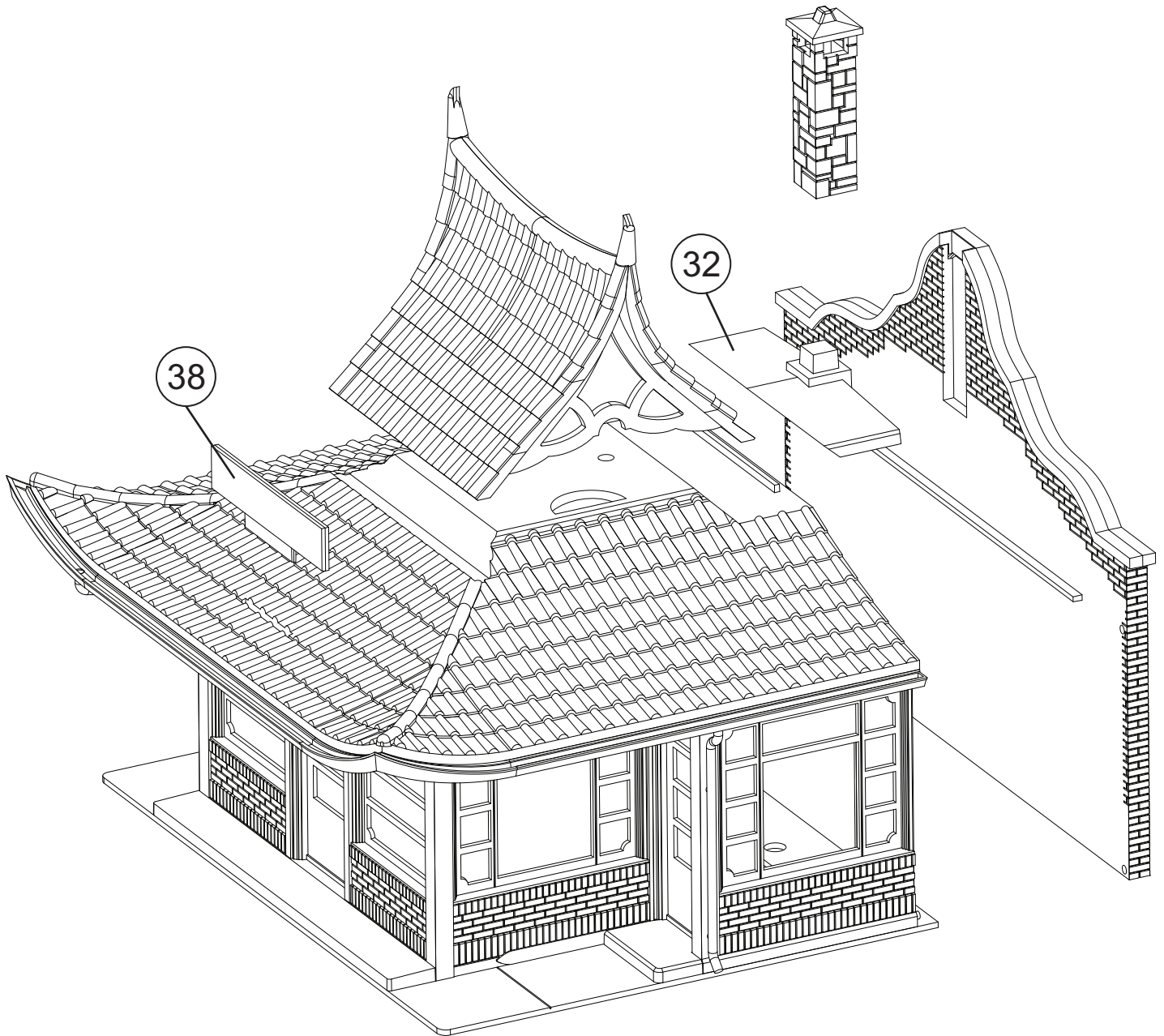


6) Glue completed Wall 2, to Base (1) first. Then, glue Walls 3 and 5 to each other (note the lip on Wall 5 designed to engage the slot in Wall 3), and add to Wall 2. Repeat this procedure for Wall sections 4 & 6. Be sure all the corners align properly with no gaps. Walls 7 and 8 are added last. Add the printed interior graphics now. Small notations under each image identify placement.



7) Add Downspouts (47, 48, 49) into the holes on Walls 3 & 4. (It may be necessary to clear glue from the holes from Step 6 with a # 75 Drill bit). Place Ceiling Assembly (28) on the wall tops, using the pins for alignment, then glue in place. Add Roof (29) next.

8) Glue the Upper Roof assembly from Step 3, to the Lower Roof. Add Chimney Base (32) next. Be sure it fits properly, and does not overhang the rear edge of the Lower Roof. Make adjustments if necessary. Then glue the Rear Wall Assembly from Step 1 to the back of the structure. The Chimney presses over the post on Part 32, and into the slot on the Rear Wall. Add Signboard (38) to the slot in the Lower Roof. NOTE: if you intend to add the printed sign, be sure the plain flat side of part 38 is to the front.



DECALING

1. After cutting out the decal, dip in water for 10 seconds, remove and let stand for 1 minute. Slide decal onto surface, position and then blot off any excess water.
2. Lightly brush Micro Sol® on top. This will soften the decal allowing it to conform to irregular surfaces. DO NOT TOUCH DECAL while wet!
3. When the decal is thoroughly dry, check for any trapped air bubbles. Prick them with the point of a small pin or hobby knife blade and apply more Micro Sol®.

PRINTED SIGN INSTRUCTION

Carefully trim out the desired graphic with scissors, or sharp hobby knife and straight edge. Brush a light coat of water-based glue over the back of the graphic. Use tweezers to pick up the graphic and position it. Lightly press it in place with your finger to secure it to the model.