



# HO Scale Structure Kit

## RECOVERY BOILER

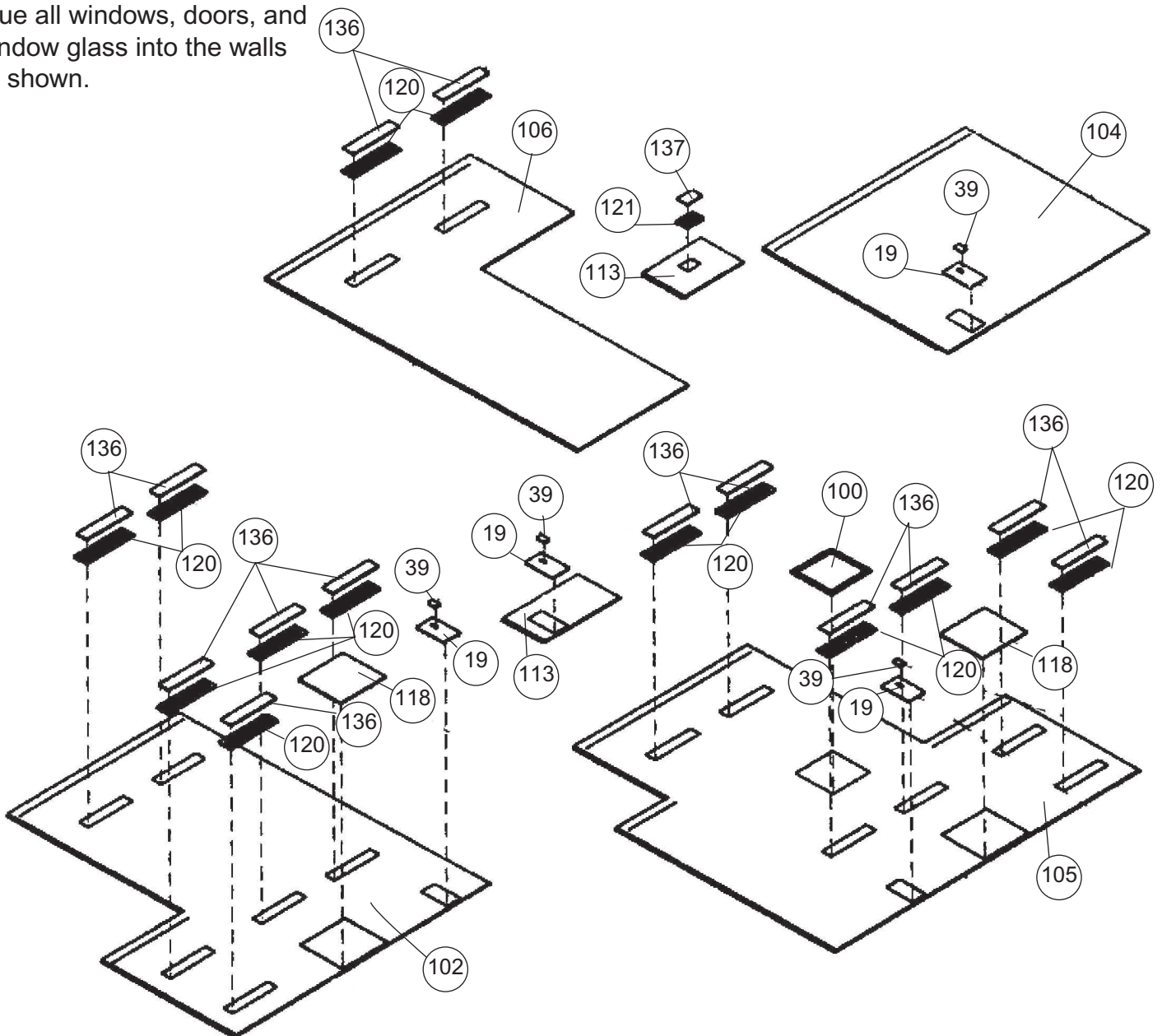
# 933-3901

Thanks for purchasing this Cornerstone Series® kit. All parts are made of styrene plastic, so use only compatible paint and glue. Please read the instructions and study the drawings before starting.

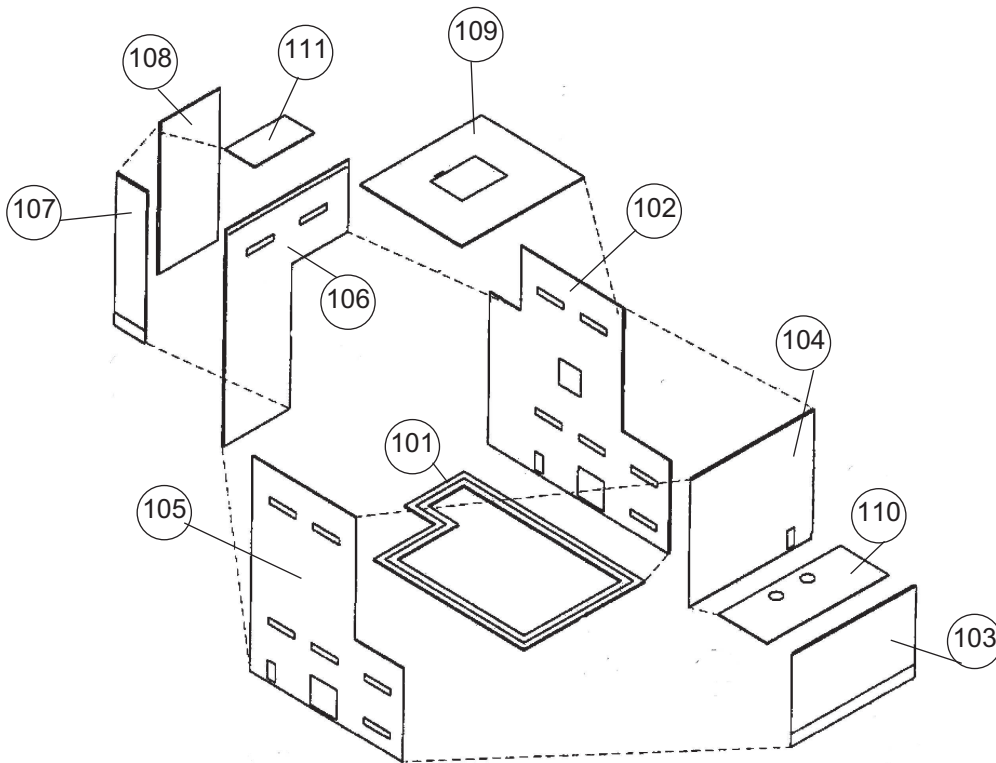
Reducing plant emissions, energy consumption and costs, the recovery boiler has become an essential part of modern papermaking operations. Converting wood chips into pulp at the kraft mill creates a mixture of spent chemicals, wood solids and water called 'black liquor.' This energy-rich bio-fuel is concentrated to reduce its water content, then burned in the recovery boiler to produce high temperature steam used to generate electricity onsite, and high-pressure steam for various mill operations. The process also reduces various chemical compounds from the black liquor, which are reclaimed, re-dissolved and reused in the cooking process at the kraft mill.

See your participating hobby shop or visit [walthers.com](http://walthers.com) for additional structures, freight cars and other accessories to model a complete paper mill on your layout.

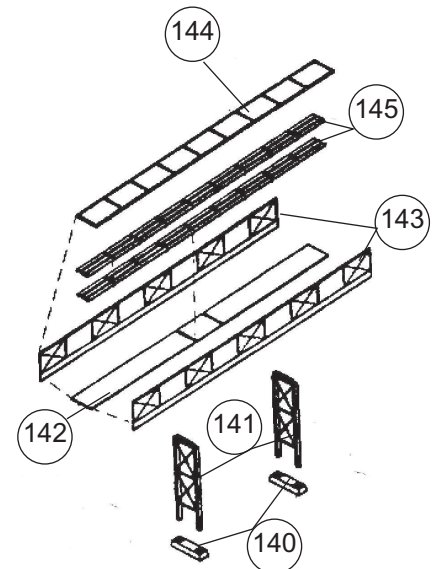
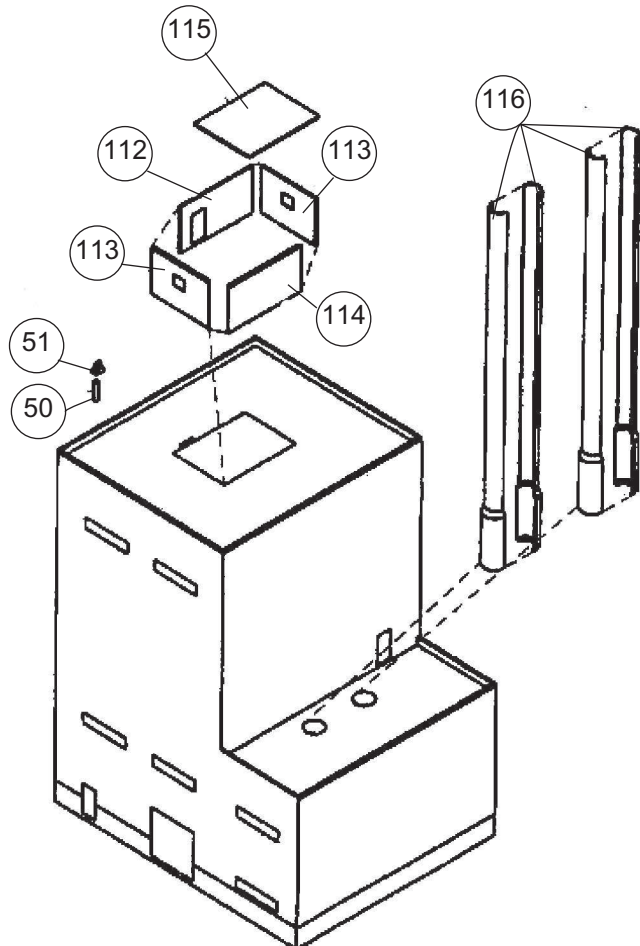
Glue all windows, doors, and window glass into the walls as shown.



Glue Walls (102, 103, 105, 106, 107, 108) to the base (101). Glue Wall (104) to top of walls (102, 105). Drill holes on bottom of Roof (109) for the number of stacks and vents desired. Glue roofs (109, 110, 111) in place.



Glue penthouse walls (112, 113, 114) and roof (115) together and glue in place on roof of building. Glue stacks (116) together. Glue on lower roof (110). Glue Stacks (50) and Vents (50, 51) to holes in roof (109).



Glue pipes (145) to floor of bridge (142), one set of pipes on top of the others. Glue the sides (143) and top (144) on. Glue the supports (141) to the pads (140) and finish the bridge by gluing the supports to the bottom of the floor.

### Applying Decals

1. Cut out the decal and dip in water for 10 seconds. Remove decal from water and let stand for 1 minute. Slide decal onto surface and into position. Blot off any excess water.
2. Lightly brush Micro Sol® on top of the decal. This will soften the decal allowing it to conform to any irregular surfaces. **DO NOT TOUCH DECAL while wet!**
3. When the decal is thoroughly dry, check for any trapped air bubbles. Prick them with the point of a small pin or hobby knife blade and apply more Micro Sol®.