



HO Structure Kit

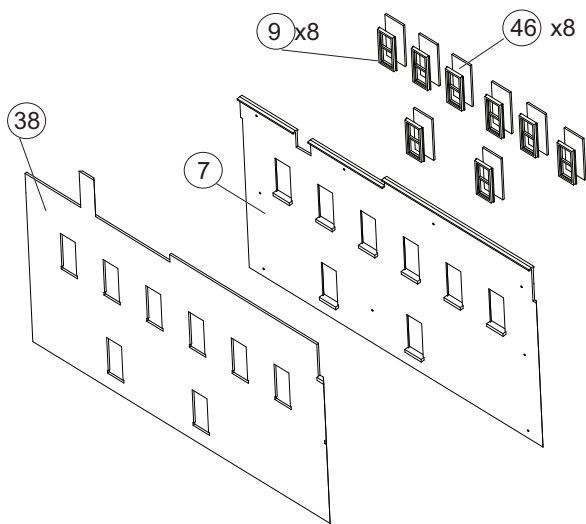
TWO-BAY FIRE STATION

933-4022

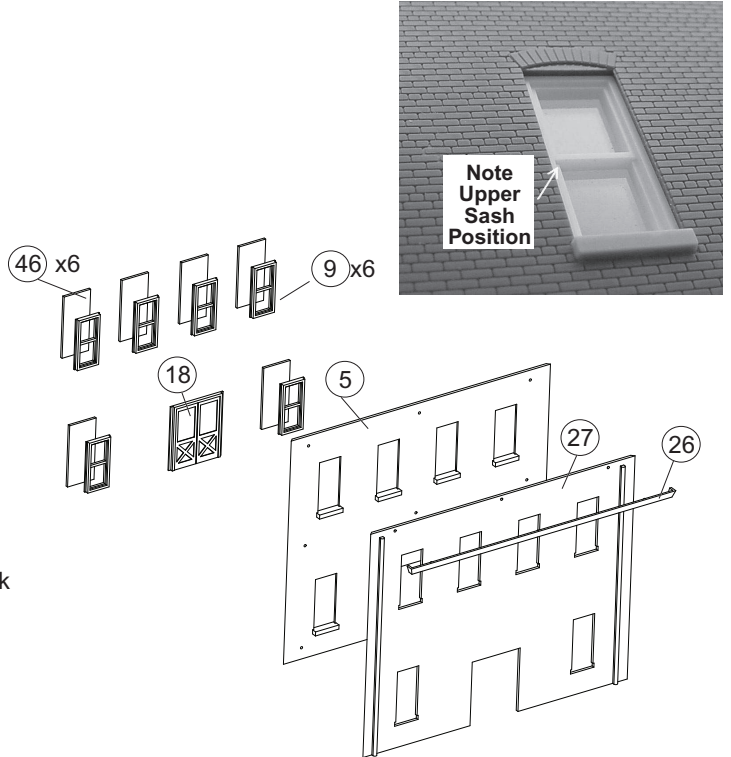
Thanks for purchasing this Cornerstone kit! Please read these instructions and study the drawings before starting. All parts are styrene plastic, so use compatible glue and paint. Please note that the walls are assembled with inner and outer layers as shown. Before gluing, make sure all double-hung windows are installed correctly with the upper sash at the top. (See photo below) Original wooden doors and newer roll-up styles are both included to fit most popular eras. Parts are also provided for an optional hose-drying tower.

From the 1880s to the present, the firehouse has been one of the most important buildings in any city. When communities began hiring full-time firefighters and switching to horse apparatus, the changes required a new type of structure. Small city lots led to multi-story designs with stables on the lower floor and living quarters above. In smaller towns that relied on volunteers, the upper floors often housed the city hall or police department. As motorized equipment took over in the early 20th century, many remained in service with little or no modification. Some are still in use today with some changes, and others have been preserved and restored as museums, offices, shops and private homes.

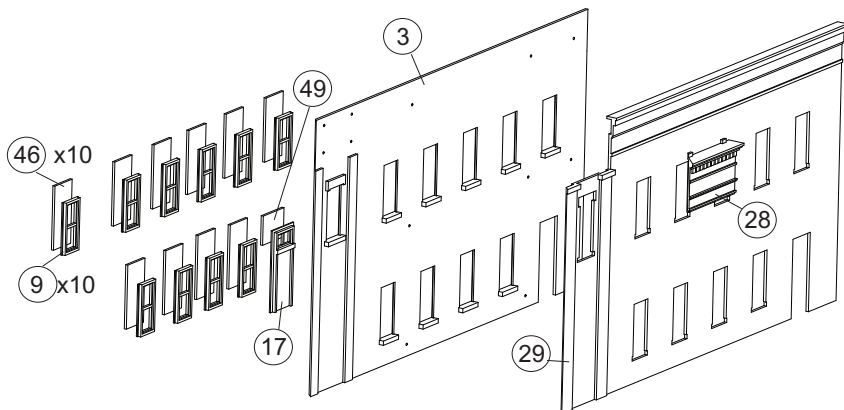
For additional figures, vehicle and accessories to set the scene, see your dealer, check out the latest Walthers HO Scale Model Railroad Reference book or visit our Web site at waltherscornerstone.com for more ideas.



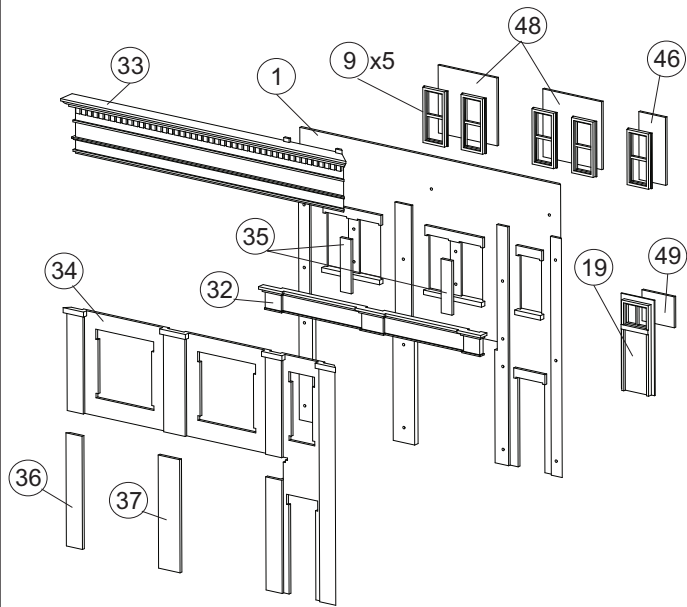
1) Using the alignment pins as a guide, overlay the Left Side Brick Surface (38) to the Left Side Sub-Wall (7). Apply glue to the alignment pins. Make sure the assembly is flat and straight, and allow to dry. Install Window Frames (9) from the back, then add Glass (46).



2) Overlay the Rear Brick Surface (27) to the Rear Sub-Wall (5). Apply glue to the alignment pins. Make sure the assembly is flat and straight, and allow to dry. Install Small Door (18), and Window Frames (9) from the back, then add Glass (46). Glue Gutter 26 on last.



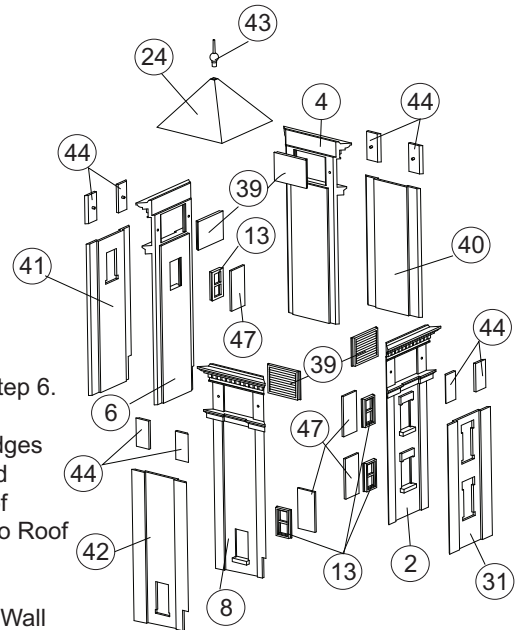
3) Overlay the Right Side Brick Surface (29) to the Right Sub-Wall (3). Apply glue to the alignment pins. Make sure the assembly is flat and straight, and allow to dry. Install Cornice (28) as shown. Glue Personnel Door (17), and Window Frames (9) from the back, then add Glass (46, 49).



4) Glue Door Header (32) to Front Sub-wall (1). Test fit Front Brick Surface (34) to this assembly; sand if needed for a flush fit. Apply glue at the alignment points, make sure the assembly is flat and straight, and allow to dry. Install Cornice (33), Left Side Brick Trim (36), Center Brick Trim (37) and Brick Dividers (35). Install Personnel Door (19) and Window Frames (9) from the back, then add Glass (46, 48, 49).

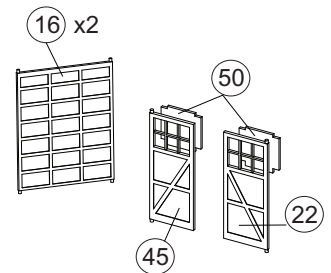
5) Optional Hose Tower Assembly — If you wish to build your kit without a tower, skip to step 6.

Glue Brick Detail (31, 40, 41, 42) to Concrete Sub-walls (2, 4, 6, 8). Make sure beveled edges face outward and add Brick Column Details (44). Make sure each wall assembly is flat and straight. Install Window Frames (13) and Glass (47). Make sure the arrows on the backs of Louvers (39) point up, and glue in place. Glue four Tower Walls together. Glue Finial (43) to Roof (24) and glue roof assembly to top of tower.

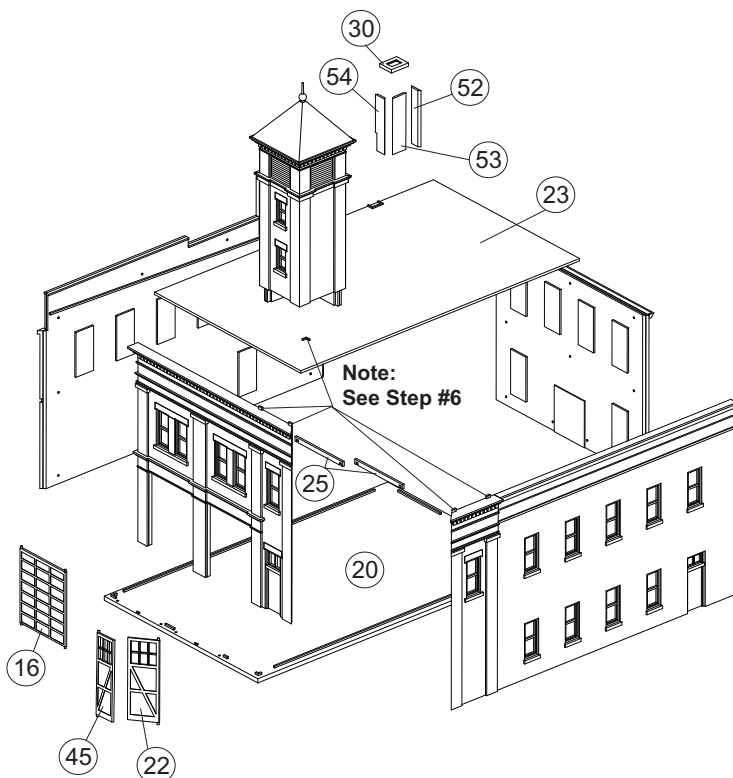


6) If you are building your model WITHOUT a tower, remove the tabs on top of the; Right Wall Concrete Cornice (28), Front Wall Cornice (33) and Roof (23) as shown.

7) Glue the four wall assemblies (steps 1 – 4) together and to the Base (20). NOTE: Your model can be built with your choice of Older Wooden- (22, 45) or Modern- (16) Doors; install Door Glass (50) to the backs of Wooden Doors (22, 45) if used. If you wish to open and close the Older Doors, place — do not glue — the pegs on the lower edge of each Door in the holes in the base; place the upper pegs in the recessed slots on the back of the Door Header (32). For the Modern Doors, glue the lower pegs in the base. Secure both styles of doors by gluing Retainers (25) in place on the back of part 32.



8) Glue Roof (23) to inside of walls. Assemble Chimney (52, 53, 54) and Cap (30) and glue to Roof. If used, glue Hose Tower to Roof.



DECALING

Soak the decal in water for 20 seconds. Transfer the decal (still attached to the backing paper) to the model.

Let the decal soak until it slides off the paper easily. When ready, use a small brush to gently push the decal off the paper and onto the model.

When satisfied with the placement, apply Micro Sol® to the top of the decal. This will soften it to create that "painted on" look. Do not touch the decal while the softening agent is working. When dry, check for bubbles. Pierce any bubbles with the tip of a sharp knife and apply more Micro Sol®.