

1:35 SCALE

Faun SLT-56 Tank Transporter

ITEM NO.00203

德國56噸坦克運輸車



READ BEFORE ASSEMBLY

- Study and understand this instructions thoroughly before beginning assembly.
- Remove all injection pins carefully using a modeling file.
- Cut off the photo-etched parts carefully using a modeling knife. Be sure not to lose small parts.
- Apply instant cement to photo etched parts and shafts. Apply too much instant cement will cause movable parts to stick. Apply cement carefully.
- Extra care should be taken to avoid personal injury when handling the photo etched parts.
- Some parts should depend on decals. Select prior to assembly.
- Tools recommended: (Not included in this kit)
- Cement, Side cutters, Long nose pliers, Modeling knife, Modeling file, Tweezers, Pin vise, Scissors, Instant cement.
- Soft cloth and sand paper will also assist in construction.
- Glue and paints are not included in the kit. Use plastic cement or paints only.
- Keep out of reach of small children. Children must not be allowed to suck any part, or pull vinyl bag over the head.

裝配之前仔細閱讀

- 小心用模型快刀修平所有零件表面的注射澆口。
- 小心用刀片切下蝕刻片零件，不要遺失小零件。
- 用強力快干脫水粘蝕刻片零件和金屬軸。過量的快干脫水使用可能導致可動零件會粘住，小心除膠。
- 取蝕刻片時應特別注意安全，防止利刃劃傷手指。
- 某些零件表面需貼上水貼紙，請選擇在裝配的同時進行。
- 揀選模型工具(自備)：脫水、水口剪刀、長咀鉗、刀片、鉗刀、鑷子鉗、粘、剪刀、鋼網快干膠。
- 軟布同砂紙同時也應該是必備工具。
- 請使用塑料脫水和油漆，模型內不含。
- 謹防小孩吸吮塑料零件，或者將塑料袋套在头上，制作時應將套材遠離小孩接觸。

水貼紙的使用：

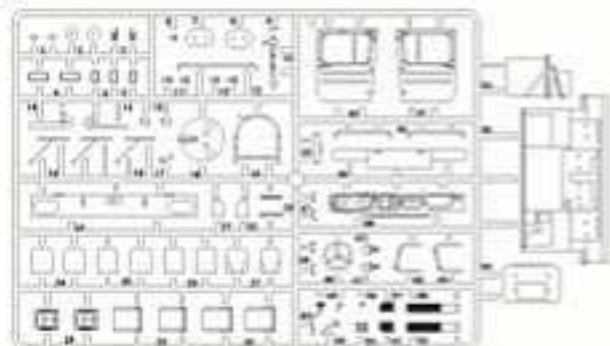
1. 从水貼紙上剪下印花；
2. 將印花放入溫水中浸10秒，然後放在乾淨布上。
3. 拿着印花紙板將印花移到模型上；
4. 手指蘸水將印花移到適當的位置；
5. 用軟布輕壓印花直至水干，汽泡消失。

DECAL APPLICATION

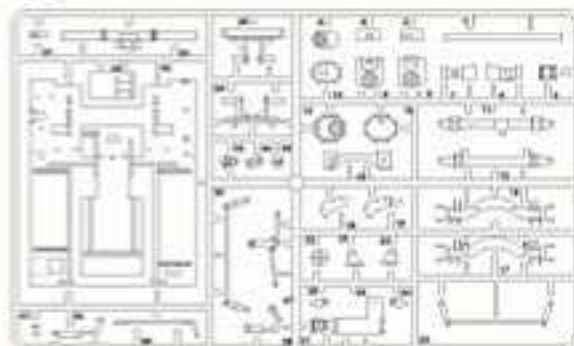
1. Cut off decal from sheet.
2. Dip the decal in tepid water 40° C for about 10 sec. and place on a clean cloth.
3. Hold the backing sheet edge and slide decal onto the model.
4. Move decal into position by wetting decal with finger.
5. Press decal gently down with a soft cloth until excess water and air bubbles are gone.

部品图 Parts

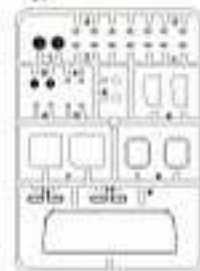
A



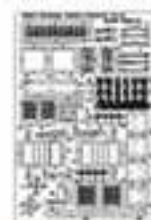
B



G



《蚀刻》
Photo etched part(PE)



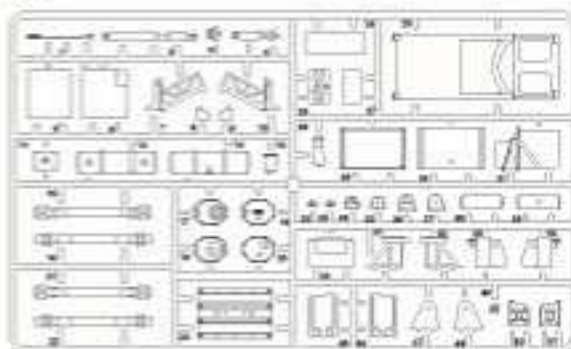
C1×2



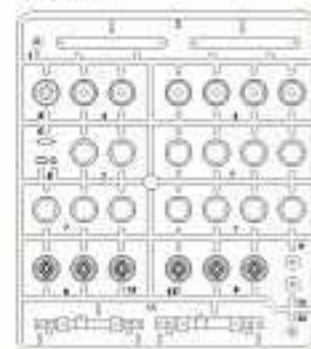
C2×2



D



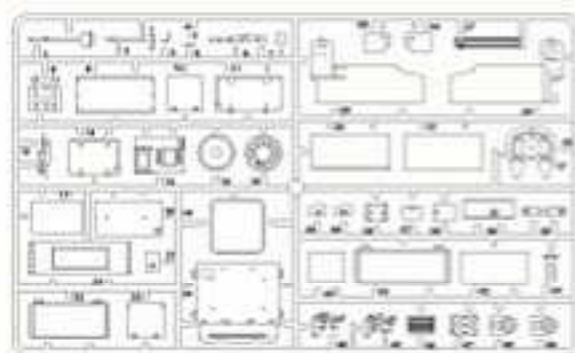
J×2



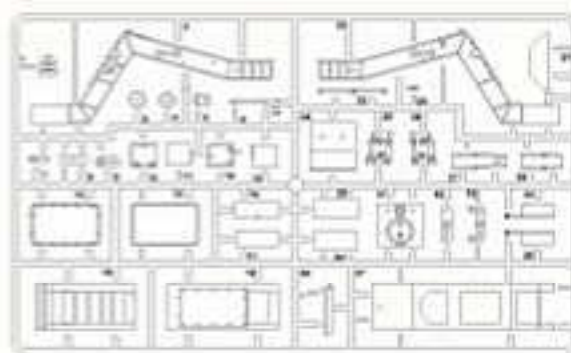
K



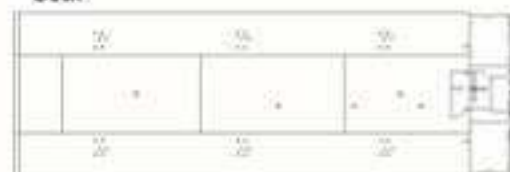
E



F



《平板》
Deck



《驾驶室》
Cab



《轮胎(大)》
Tyre(big)



X9

《轮胎(小)》
Tyre(small)



X26

H



I×2



〈车架〉
Frame



〈金属轴〉×2
Metal shaft×2

φ 2.5×73mm

〈金属轴〉×2
Metal shaft×2

φ 2.0×75mm



〈铁丝〉
Wire

〈棉绳〉
Rope



〈软管〉
Hose



file / sand
锉平



option
选择



no cement
不涂胶水



decal
贴纸



cyanoacrylate glue
使用强力胶



weight
配重



make hole
钻孔



cut / remove
切除

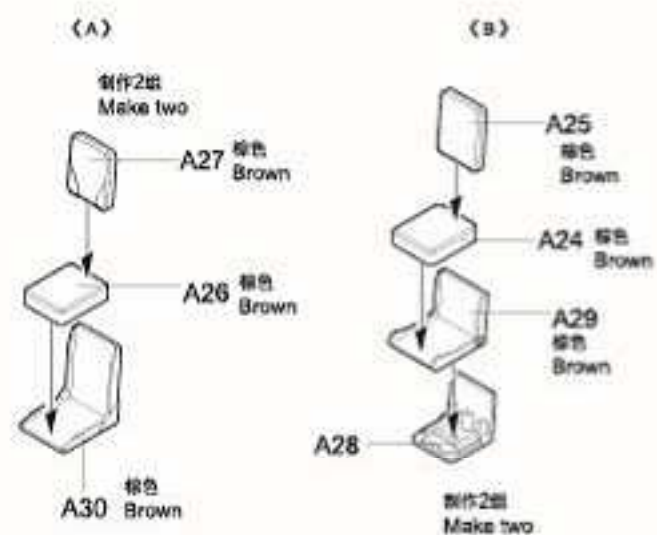
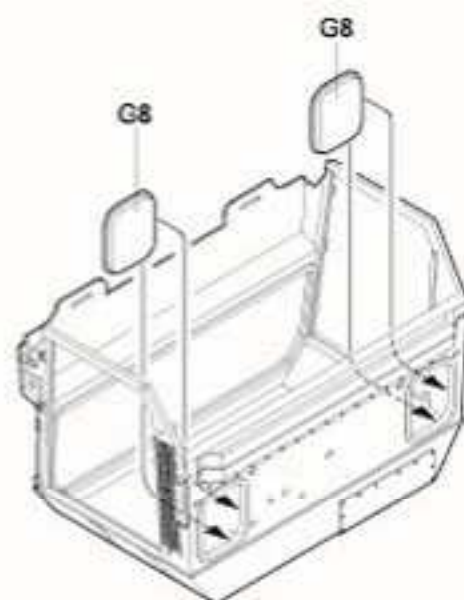


bend
弯曲

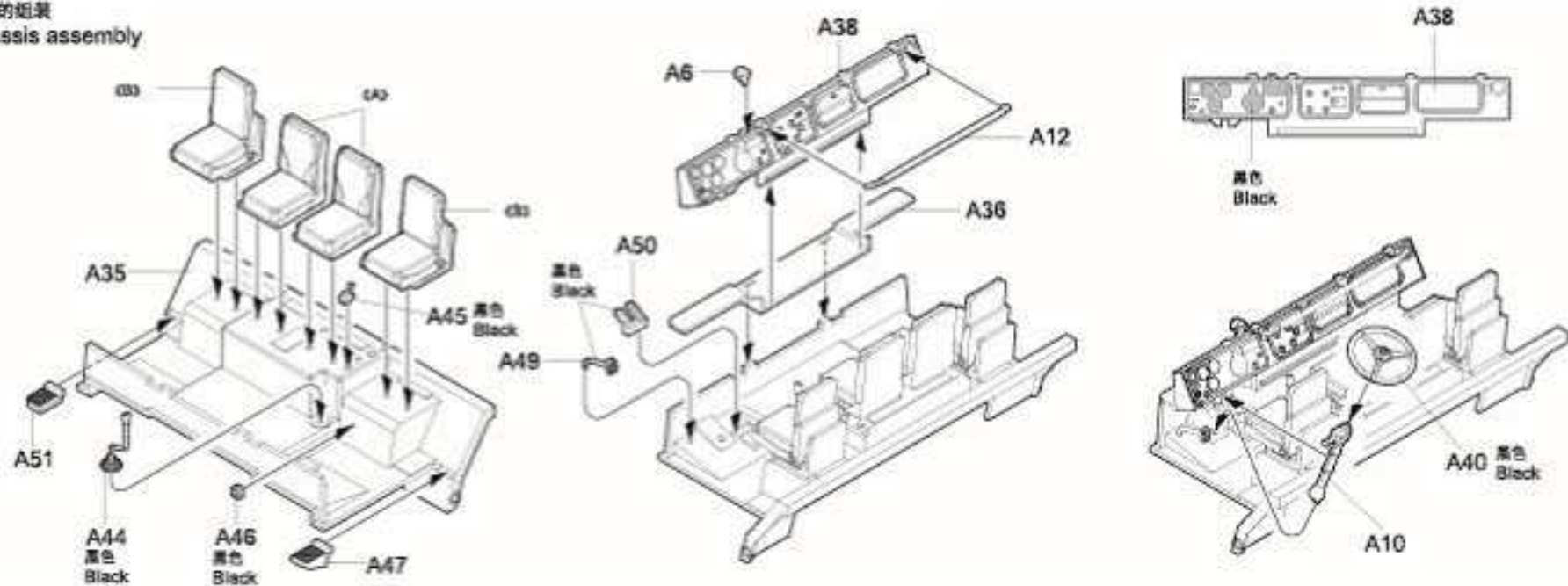
牵引车组装说明

TRACTOR Assembly instructions

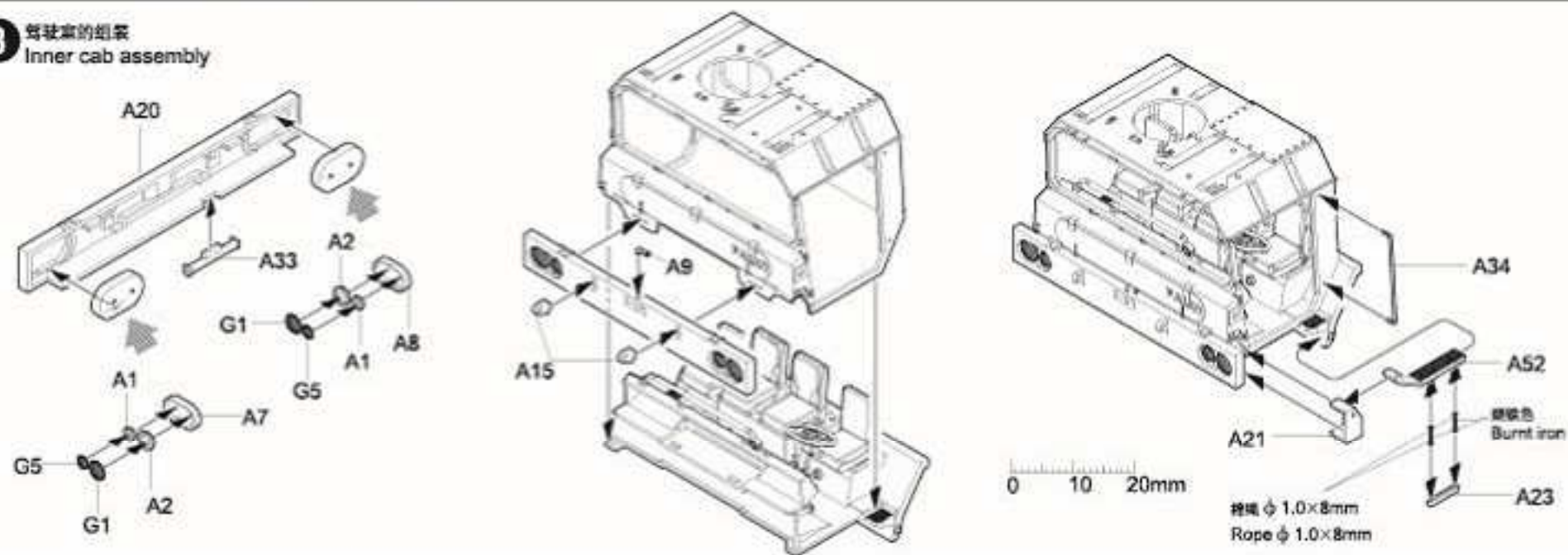
1 透明窗的安装 Transparent window assembly



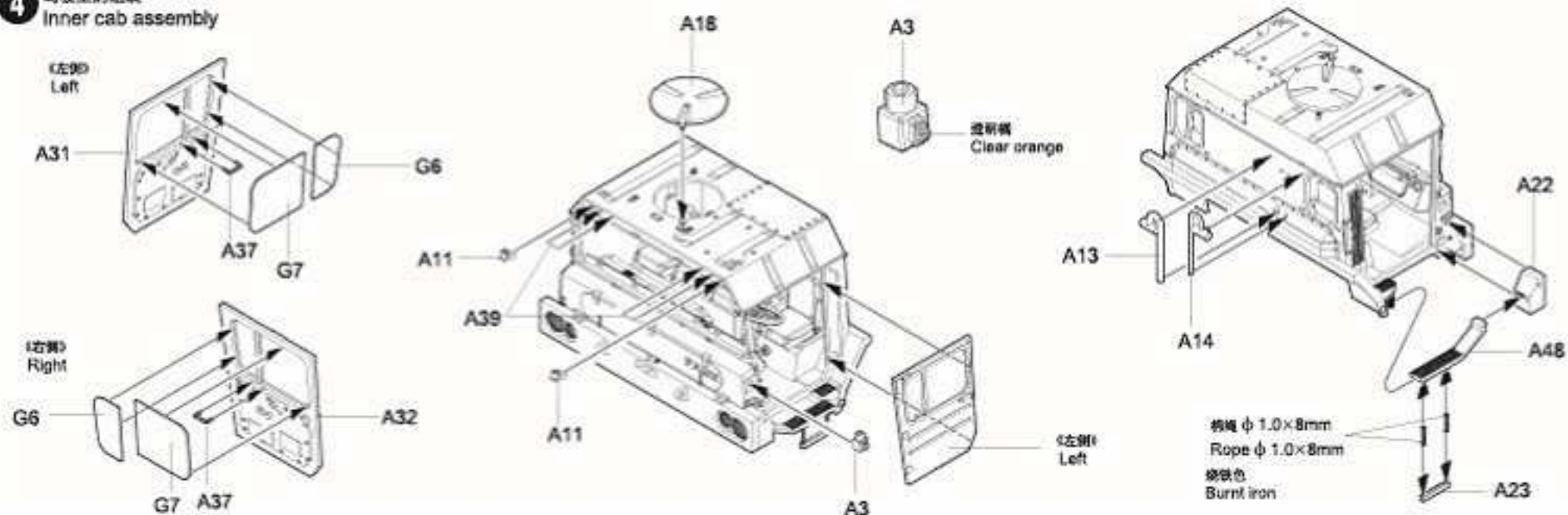
2 底盘的组装
Chassis assembly



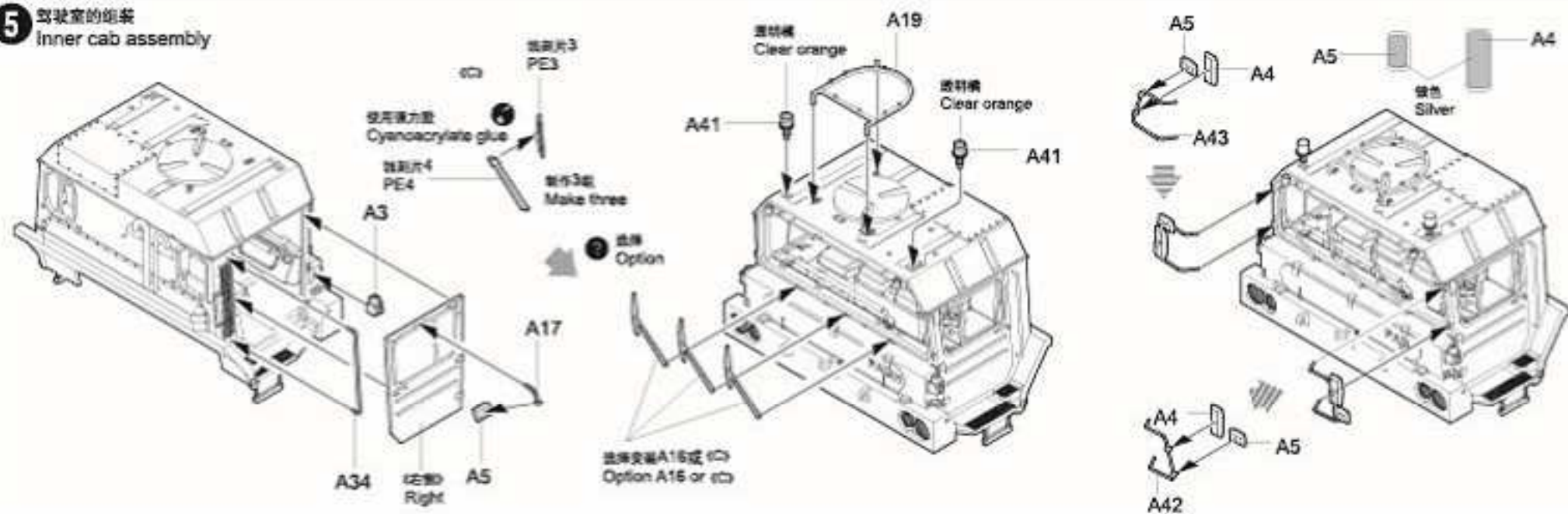
3 驾驶室的组装
Inner cab assembly



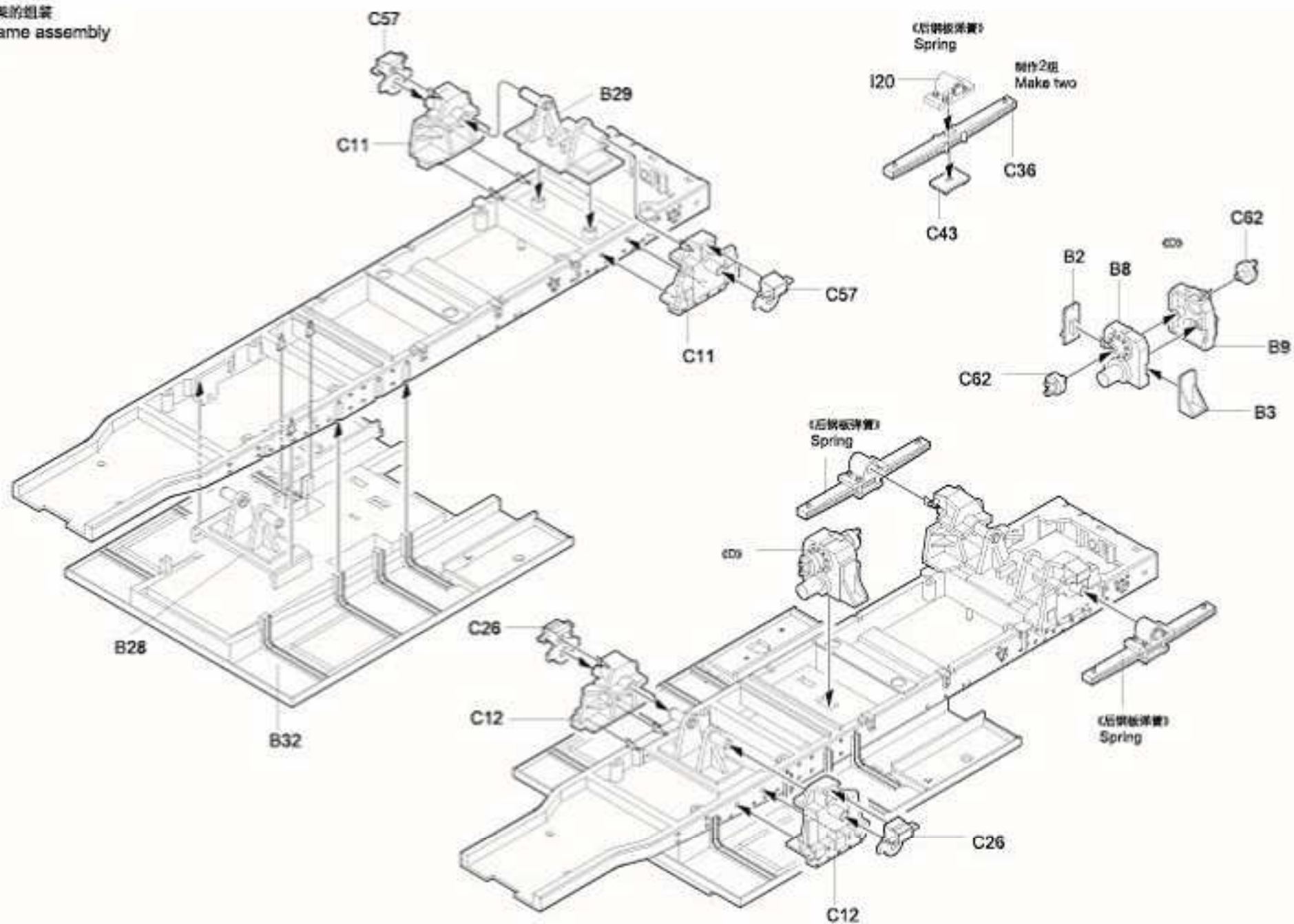
4 驾驶室的组装
Inner cab assembly



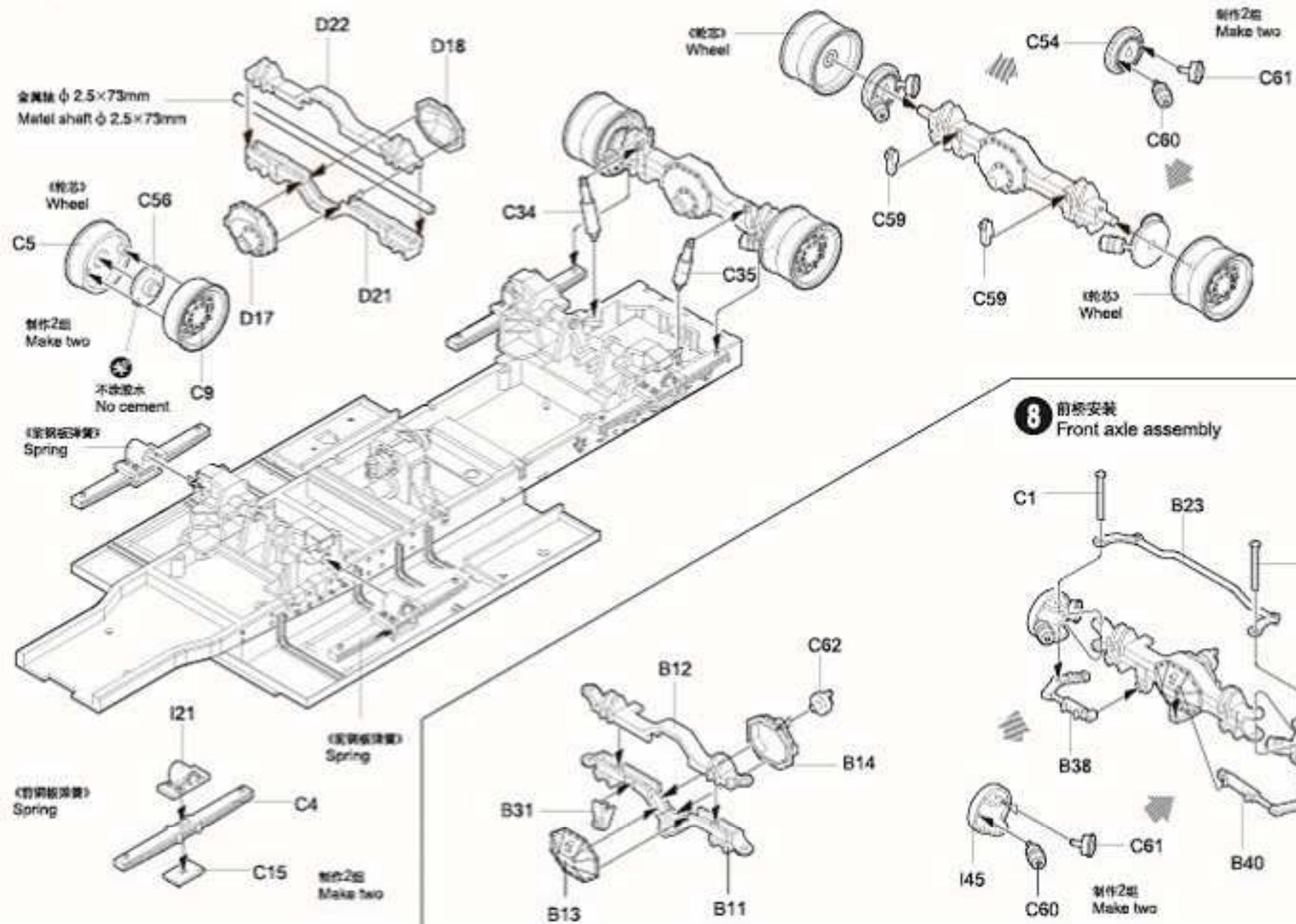
5 驾驶室的组装
Inner cab assembly



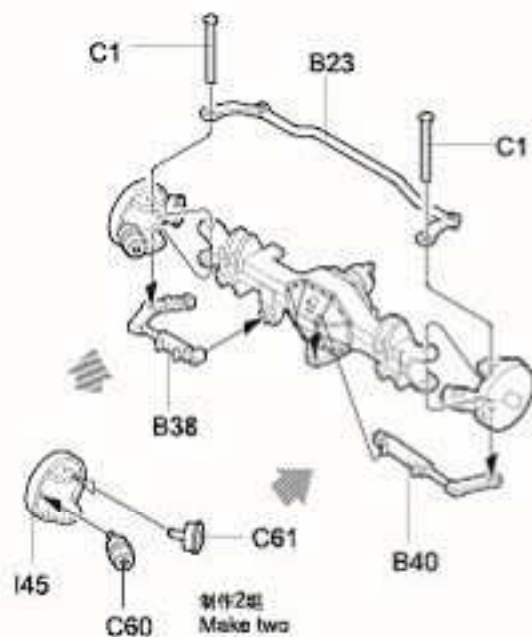
6 车架的组装
Frame assembly



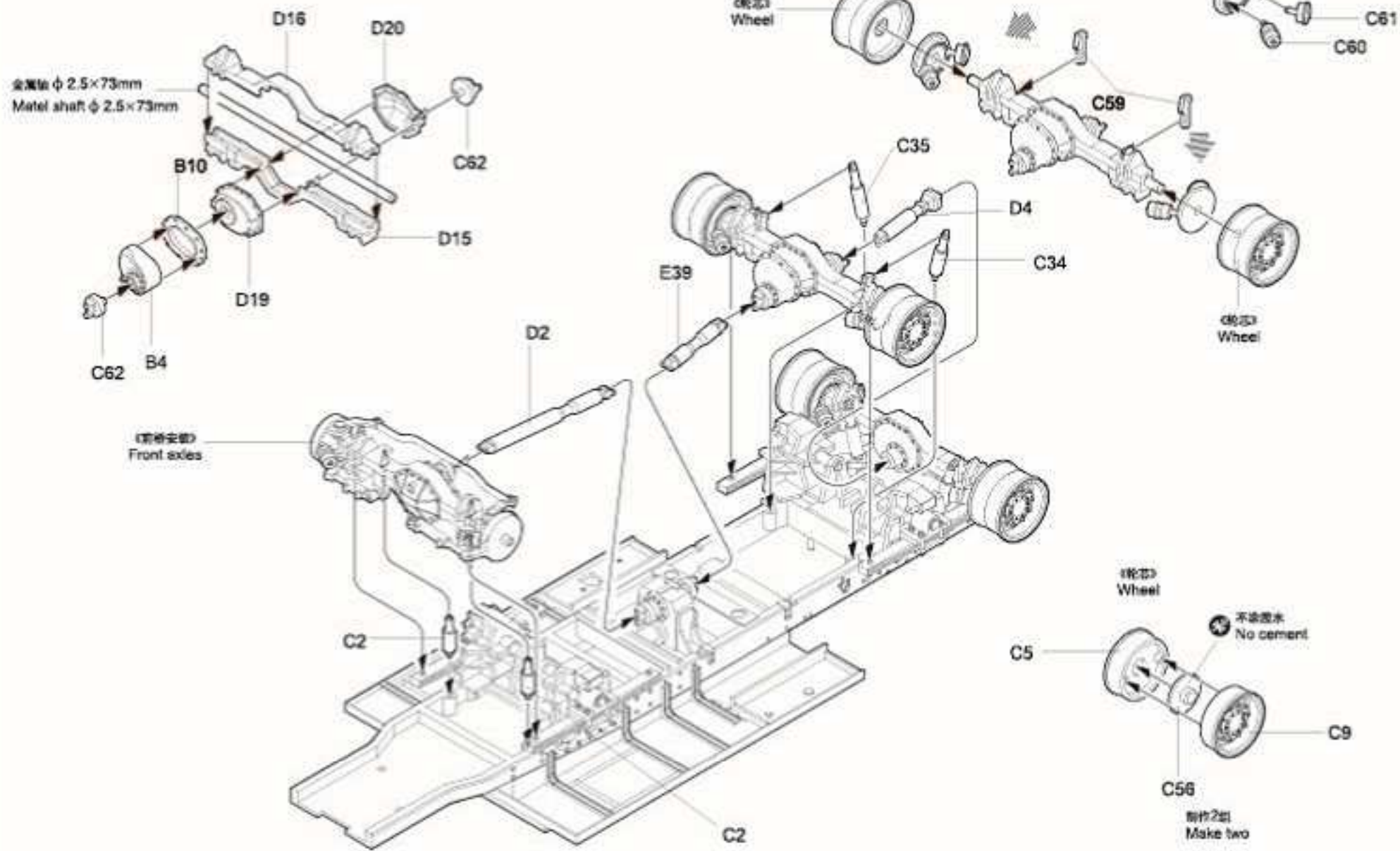
7 后桥安装 Attaching rear axles



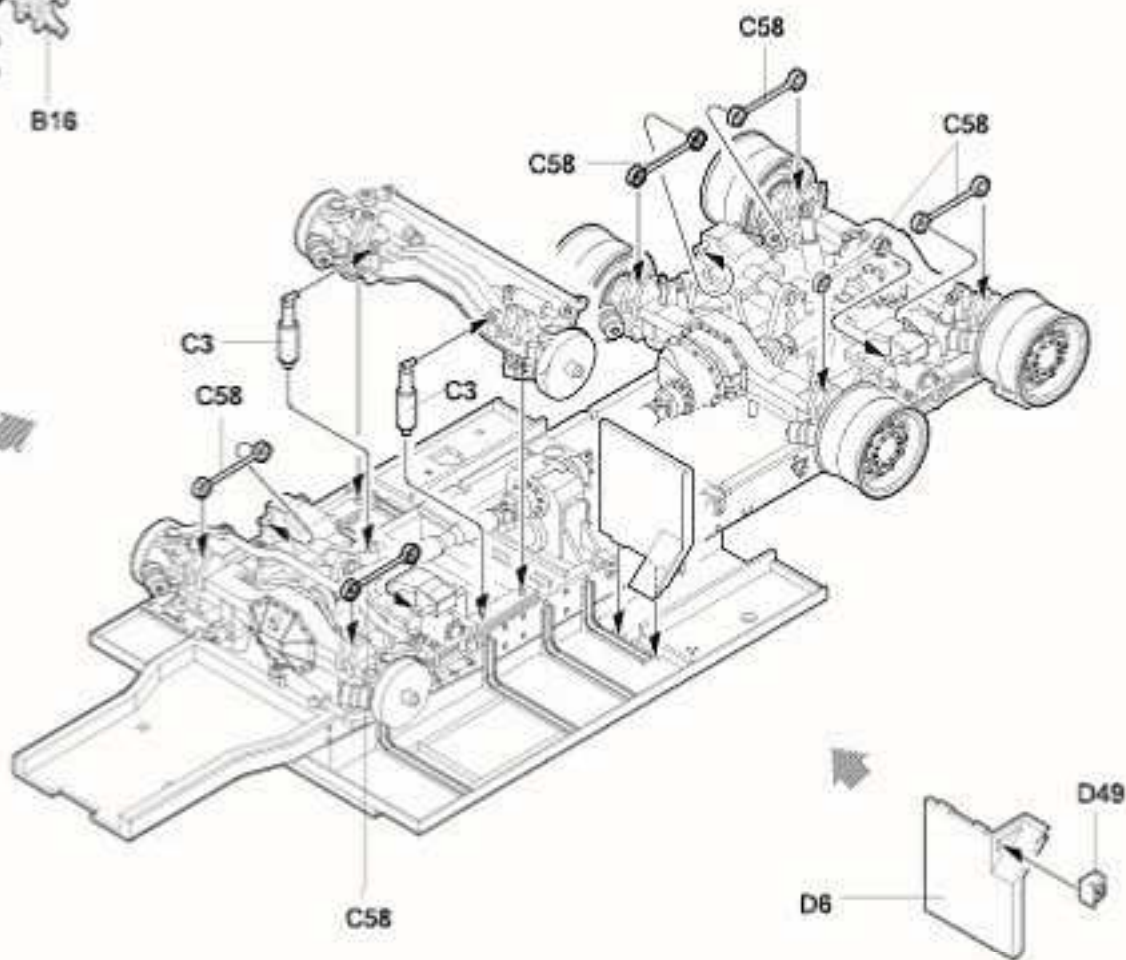
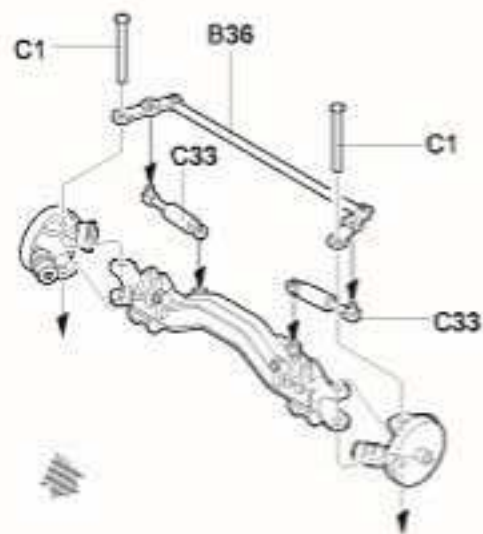
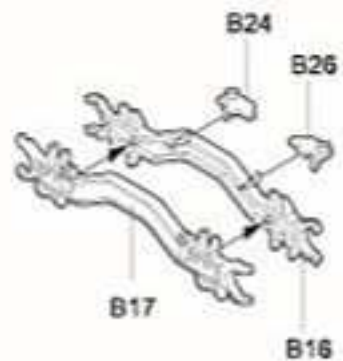
8 前桥安装 Front axle assembly



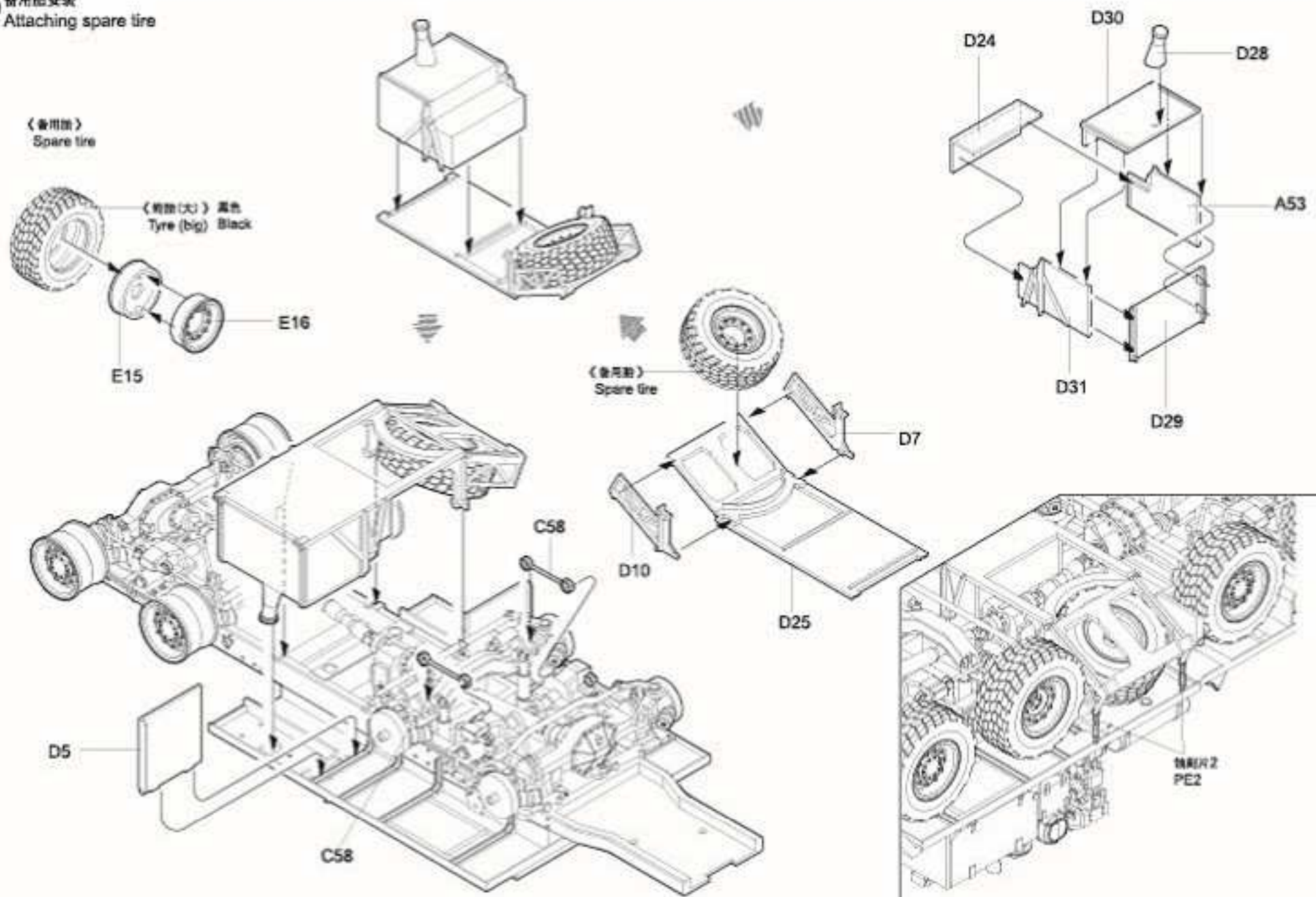
9 前桥与后桥安装
Attaching front and rear axles



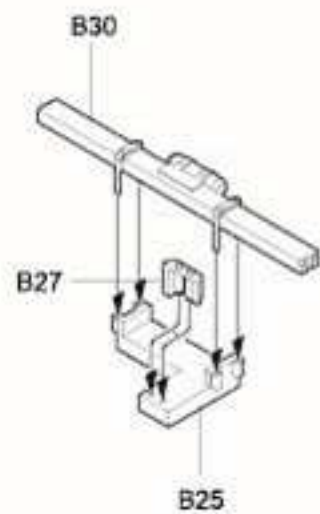
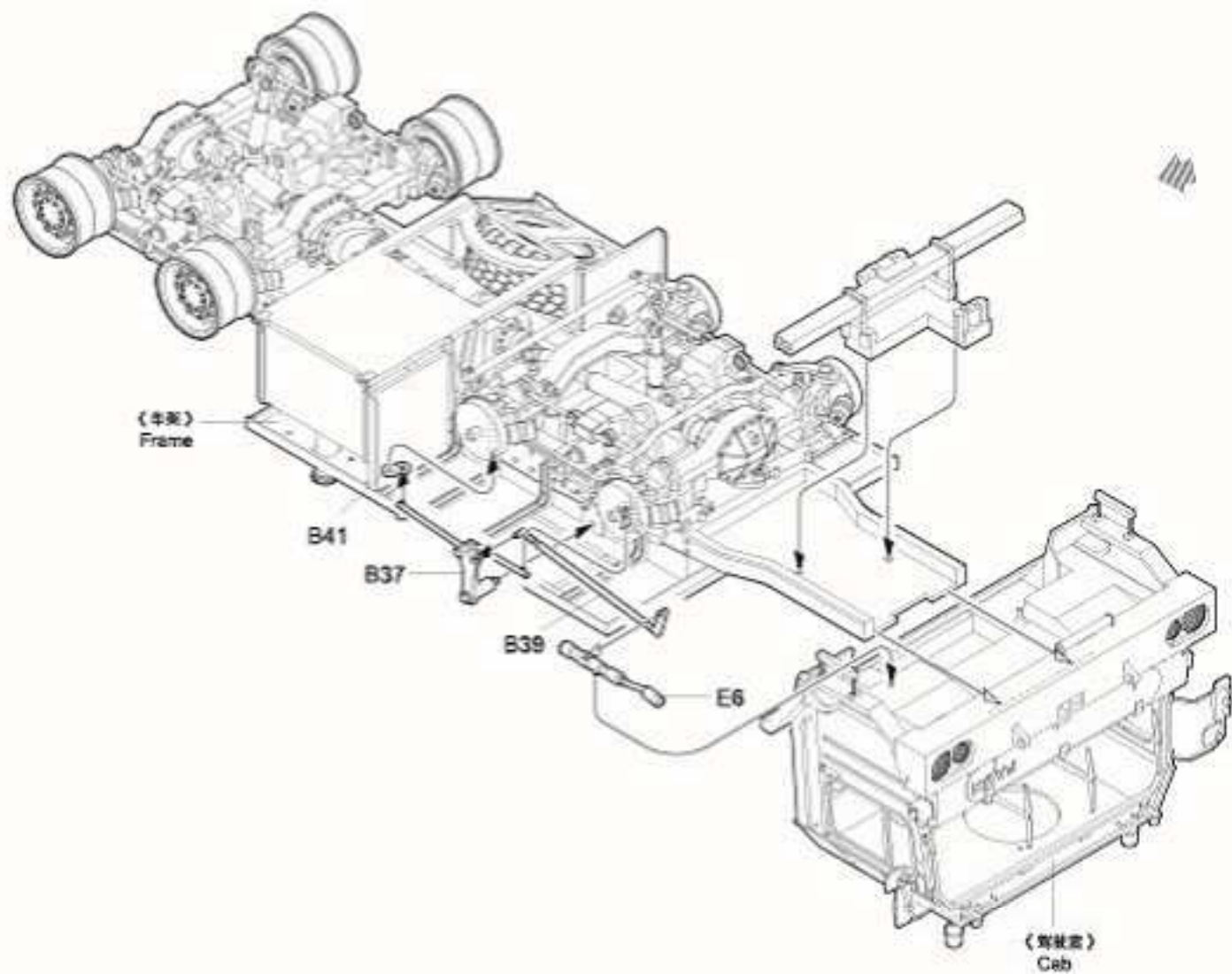
10 中桥安装
Attaching center axles



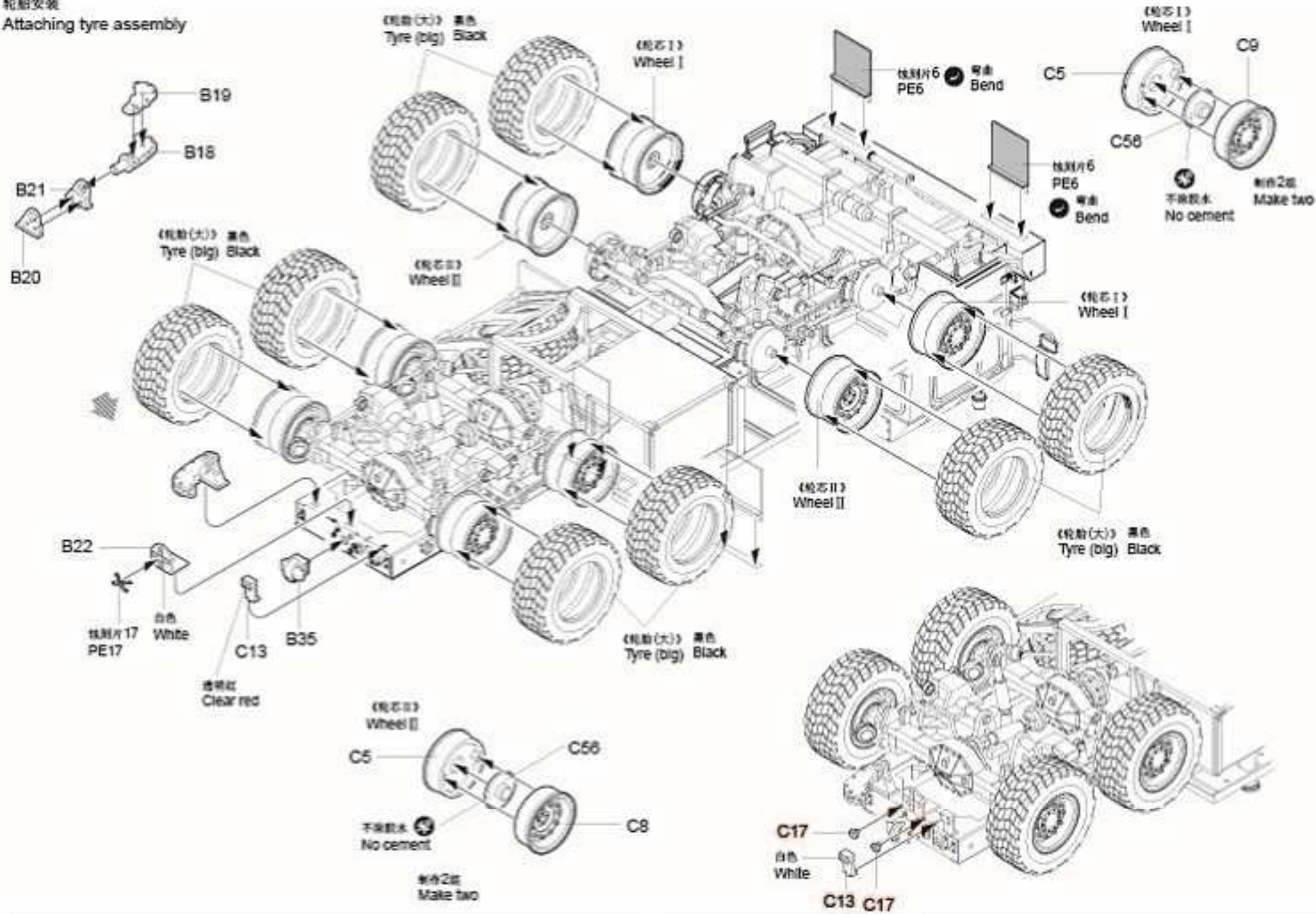
11 备用胎安装
Attaching spare tire



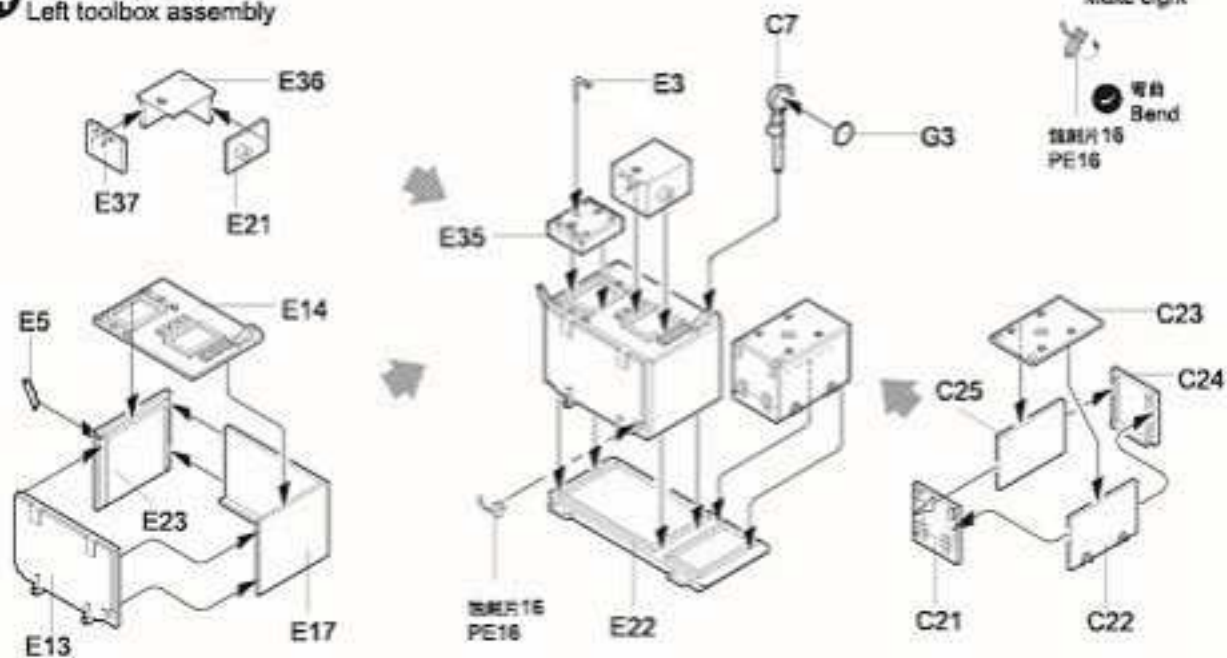
12 驾驶室安装
Attaching cab



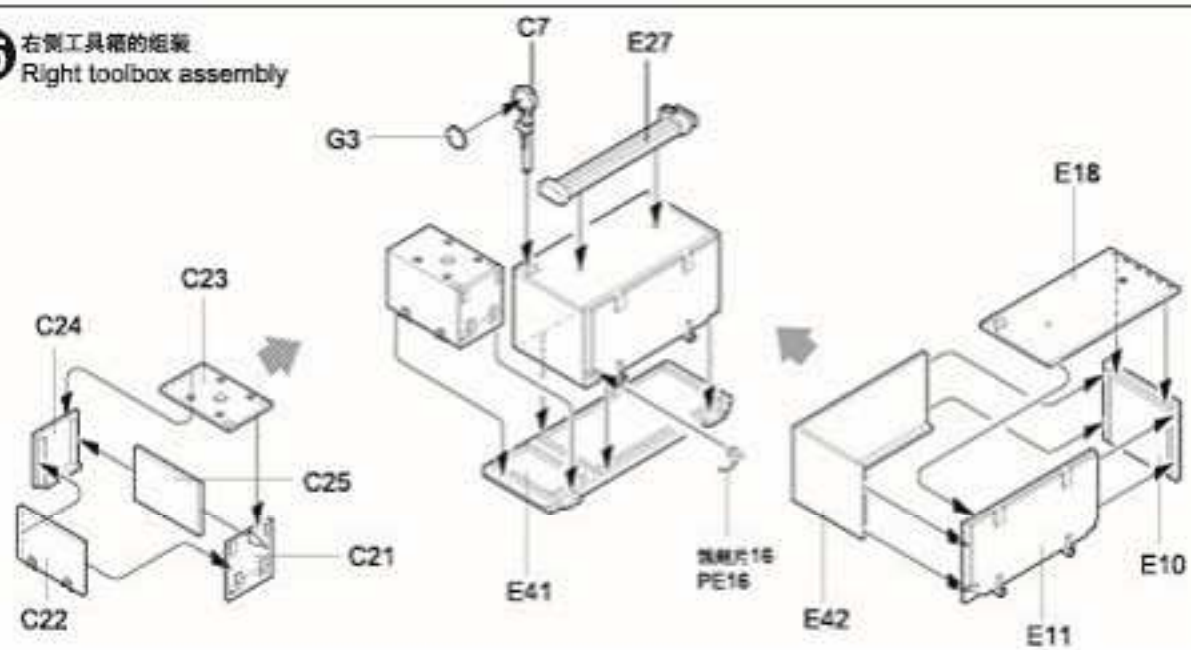
13 輪胎安裝
Attaching tyre assembly



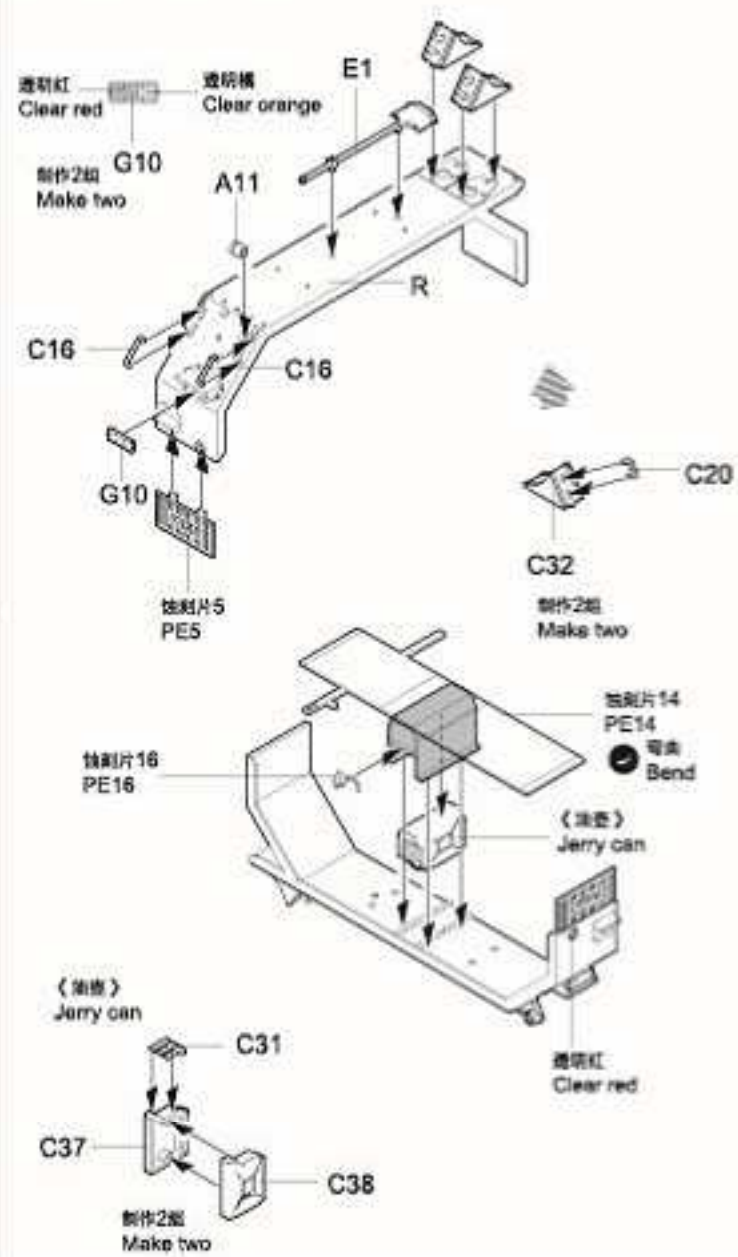
14 左侧工具箱的组装
Left toolbox assembly



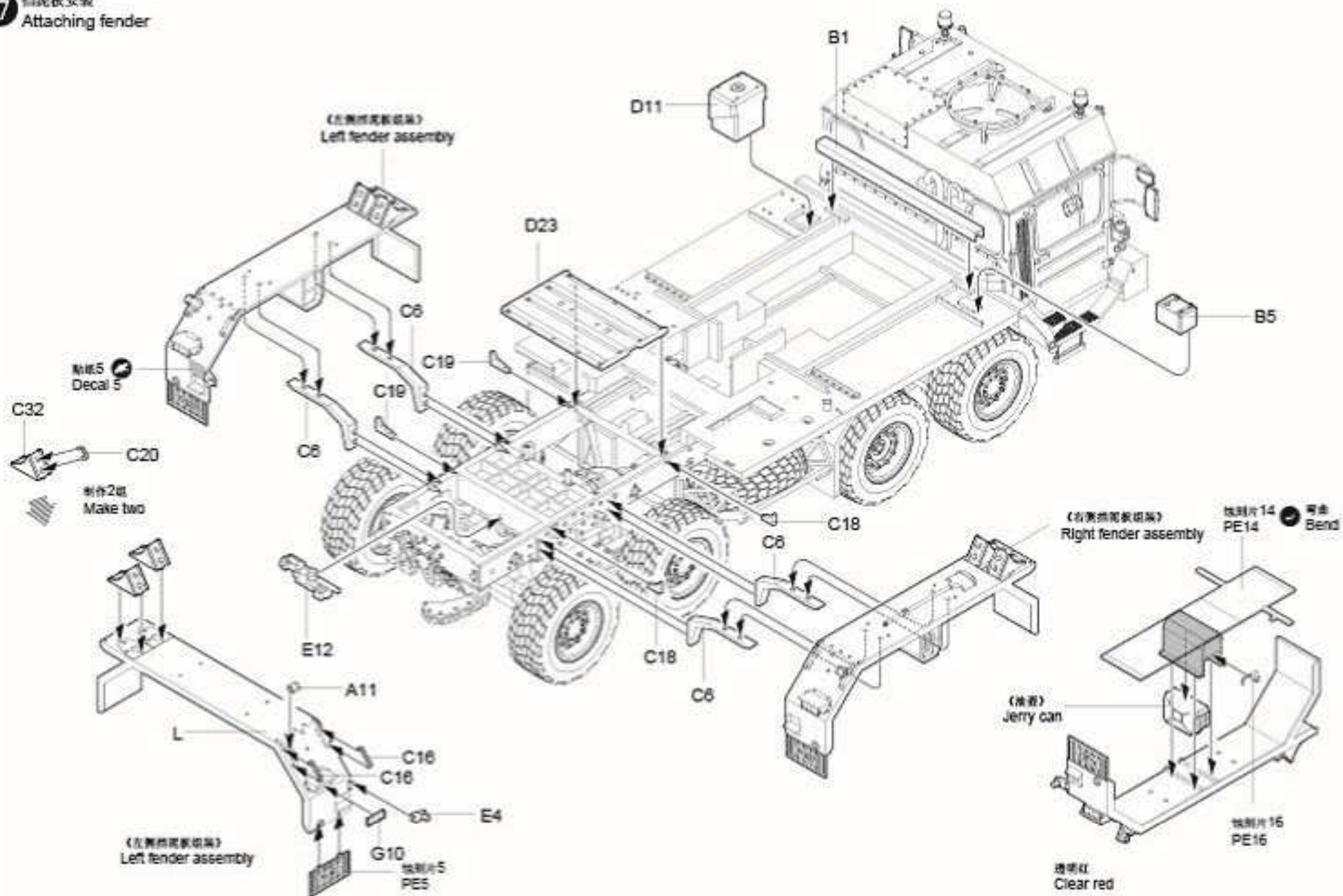
15 右侧工具箱的组装
Right toolbox assembly



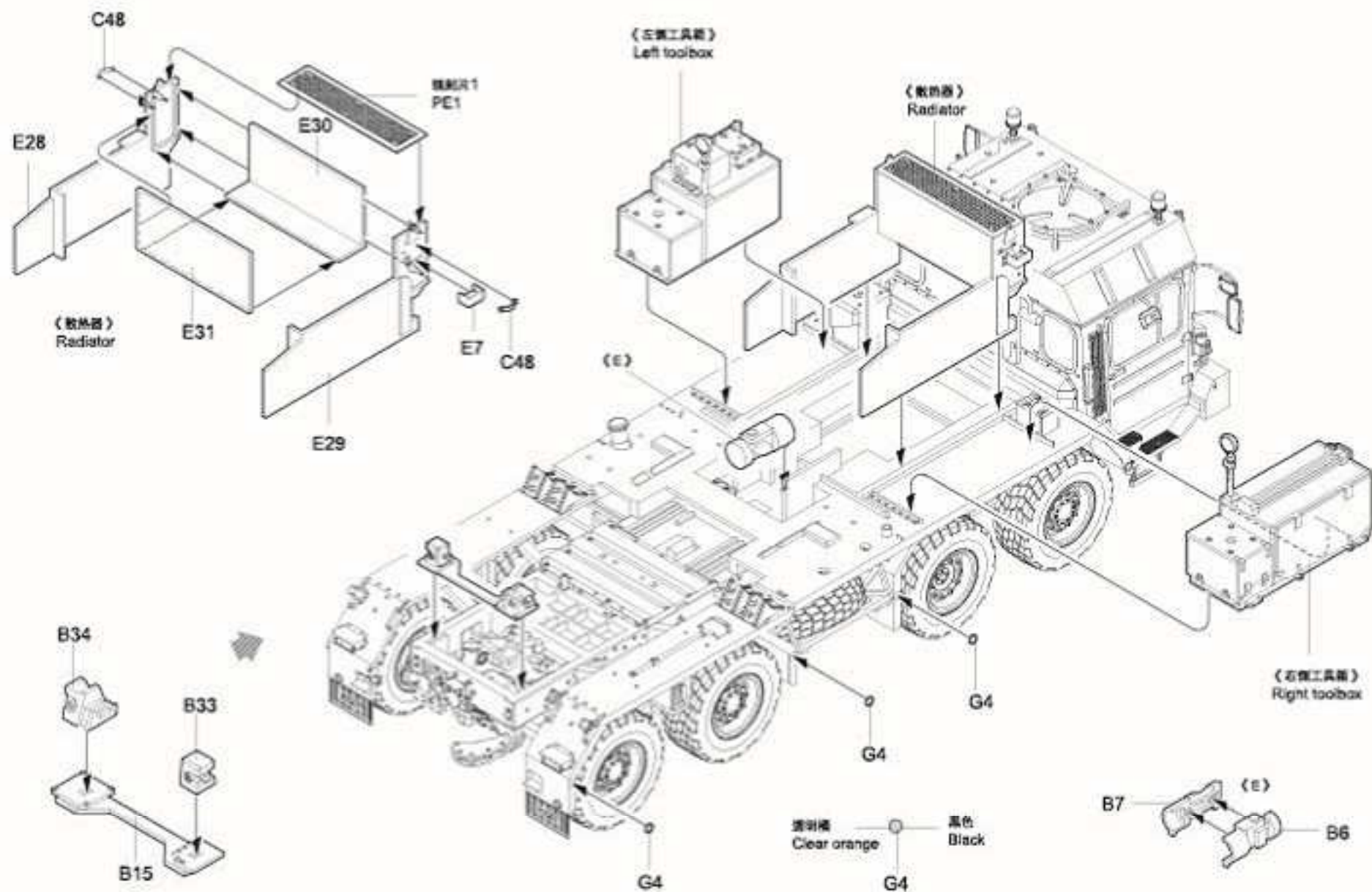
16 右侧挡泥板组装
Right fender assembly



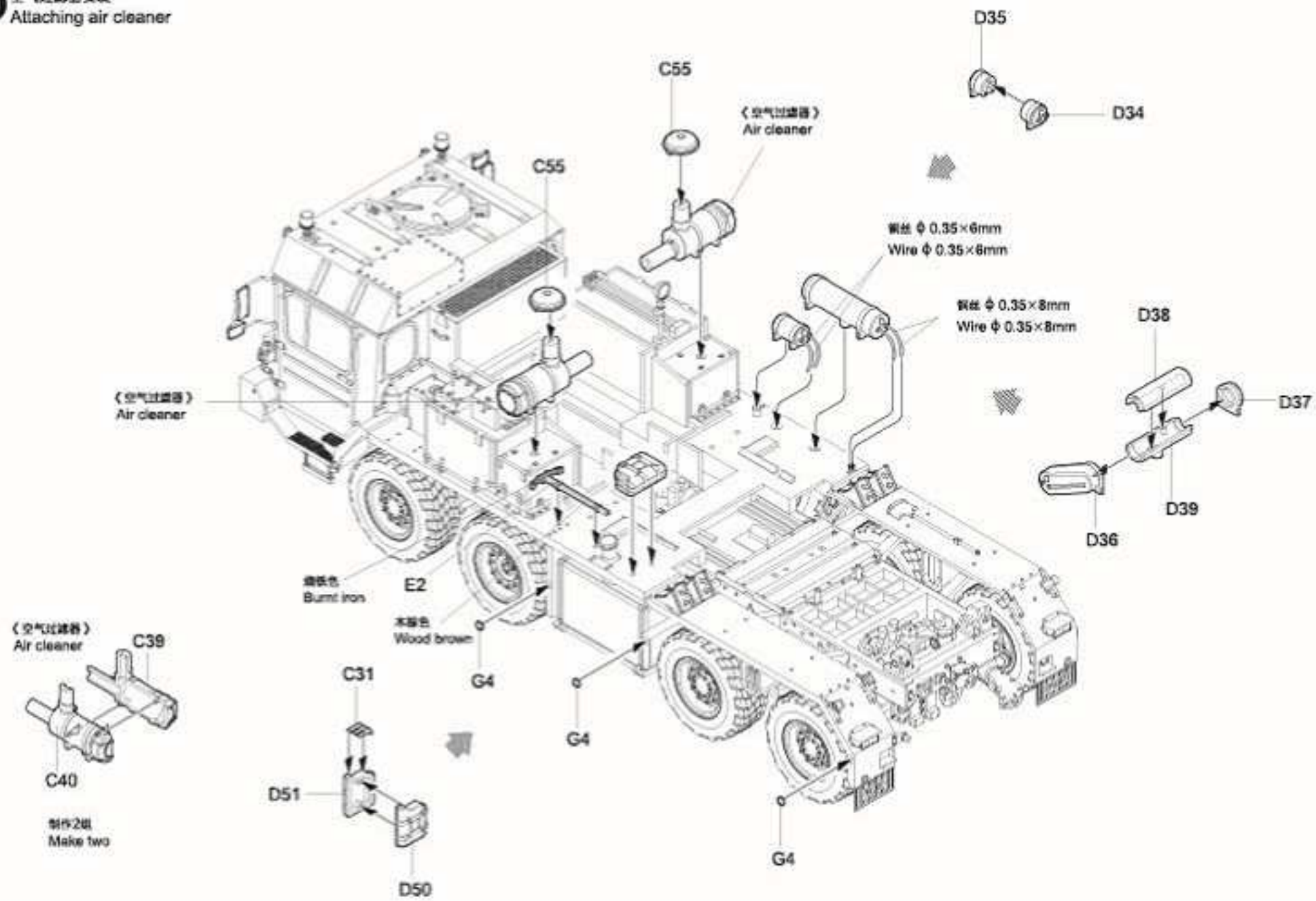
17 黏泥板安裝
Attaching fender



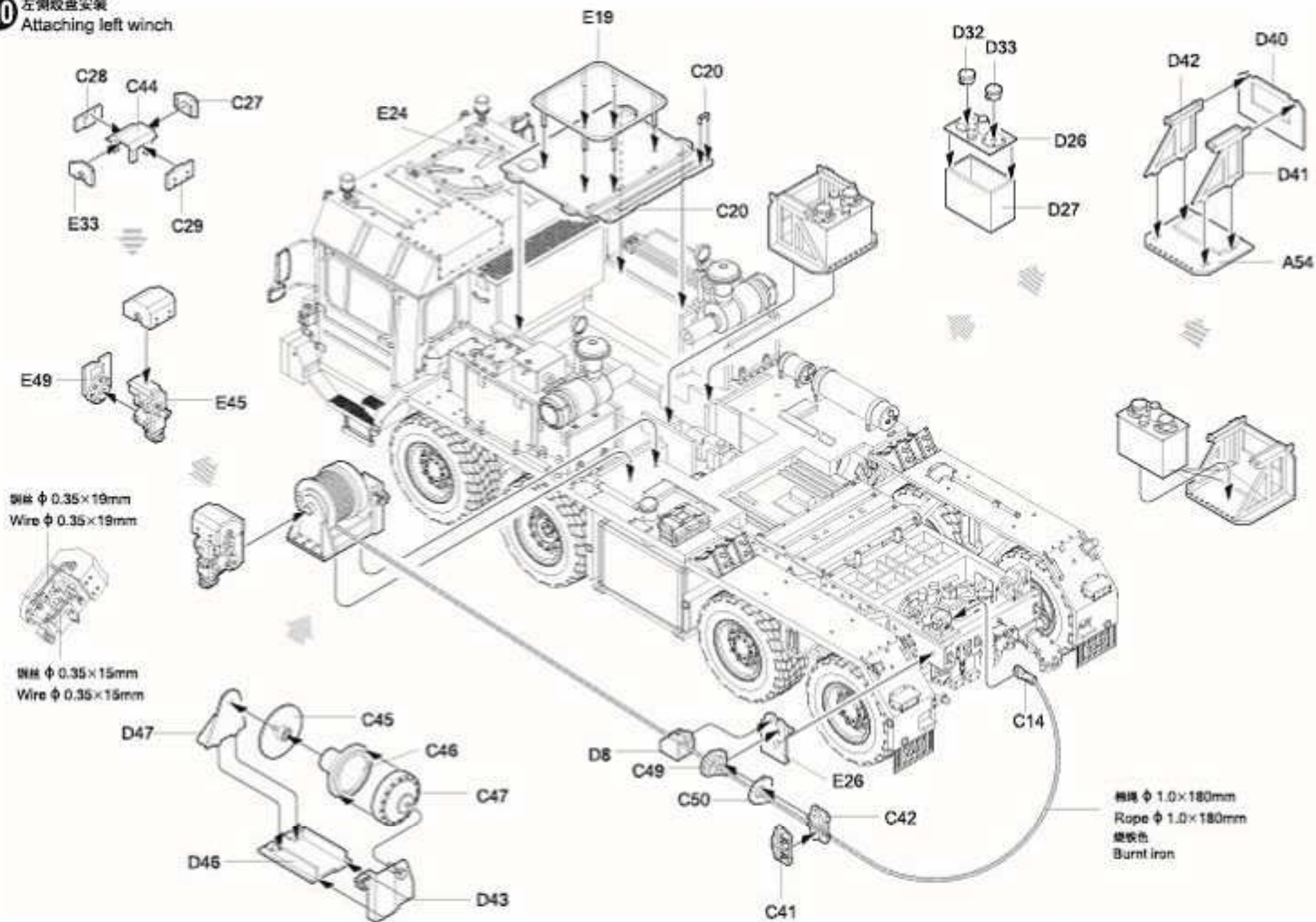
18 散热器安装
Attaching radiator



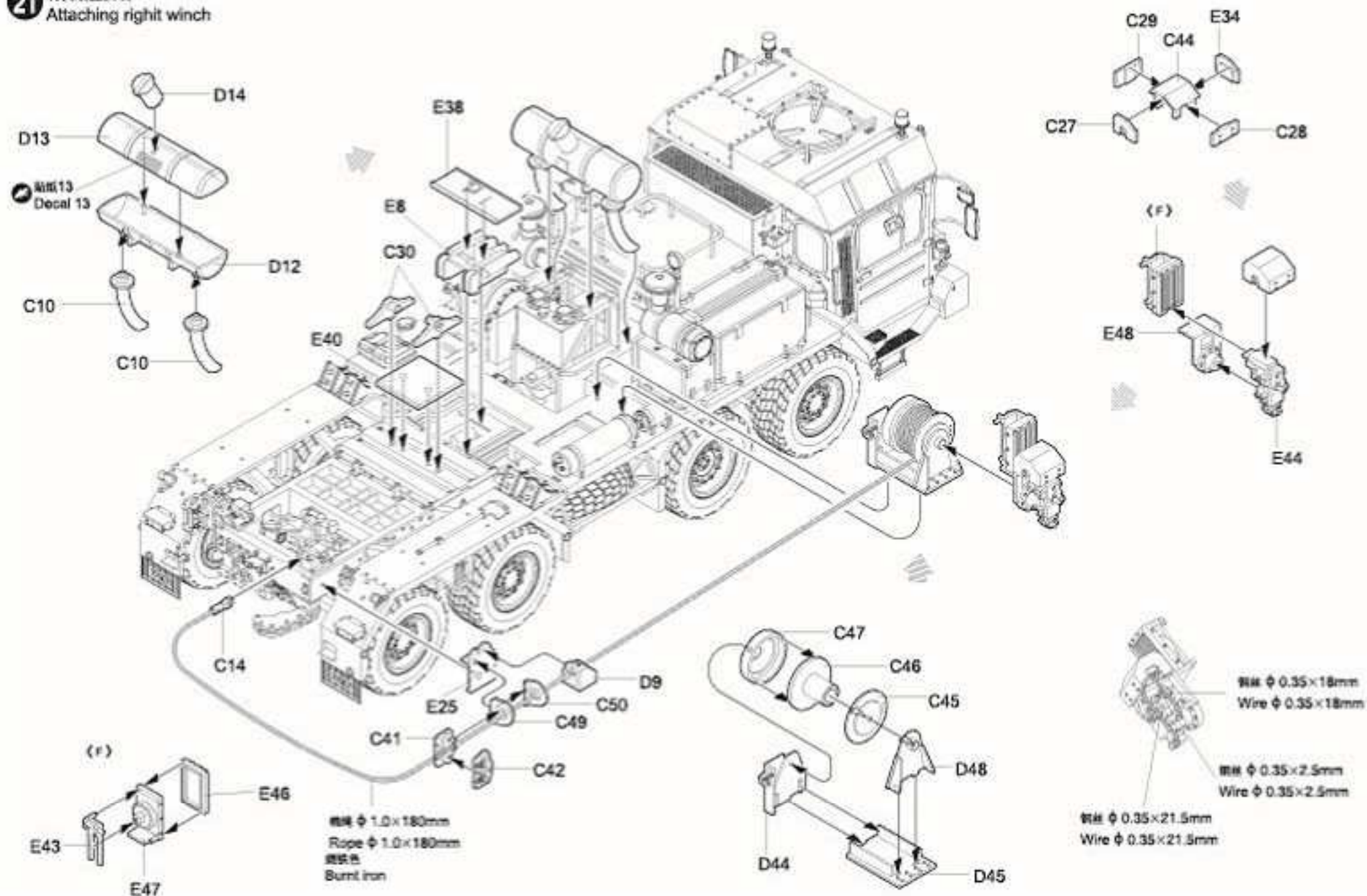
19 空气过滤器安装
Attaching air cleaner



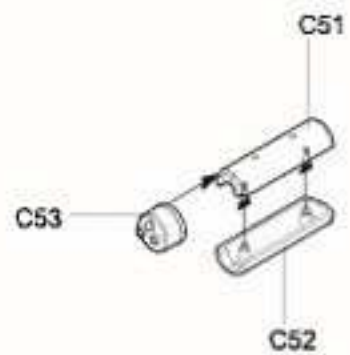
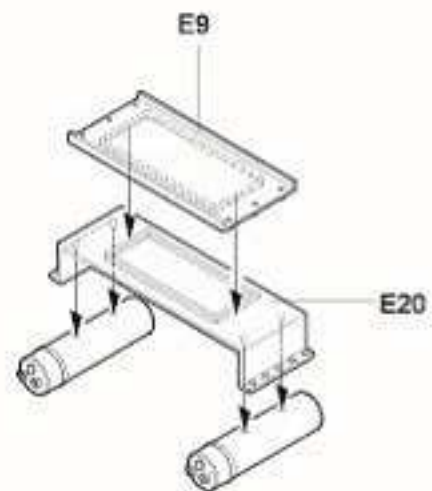
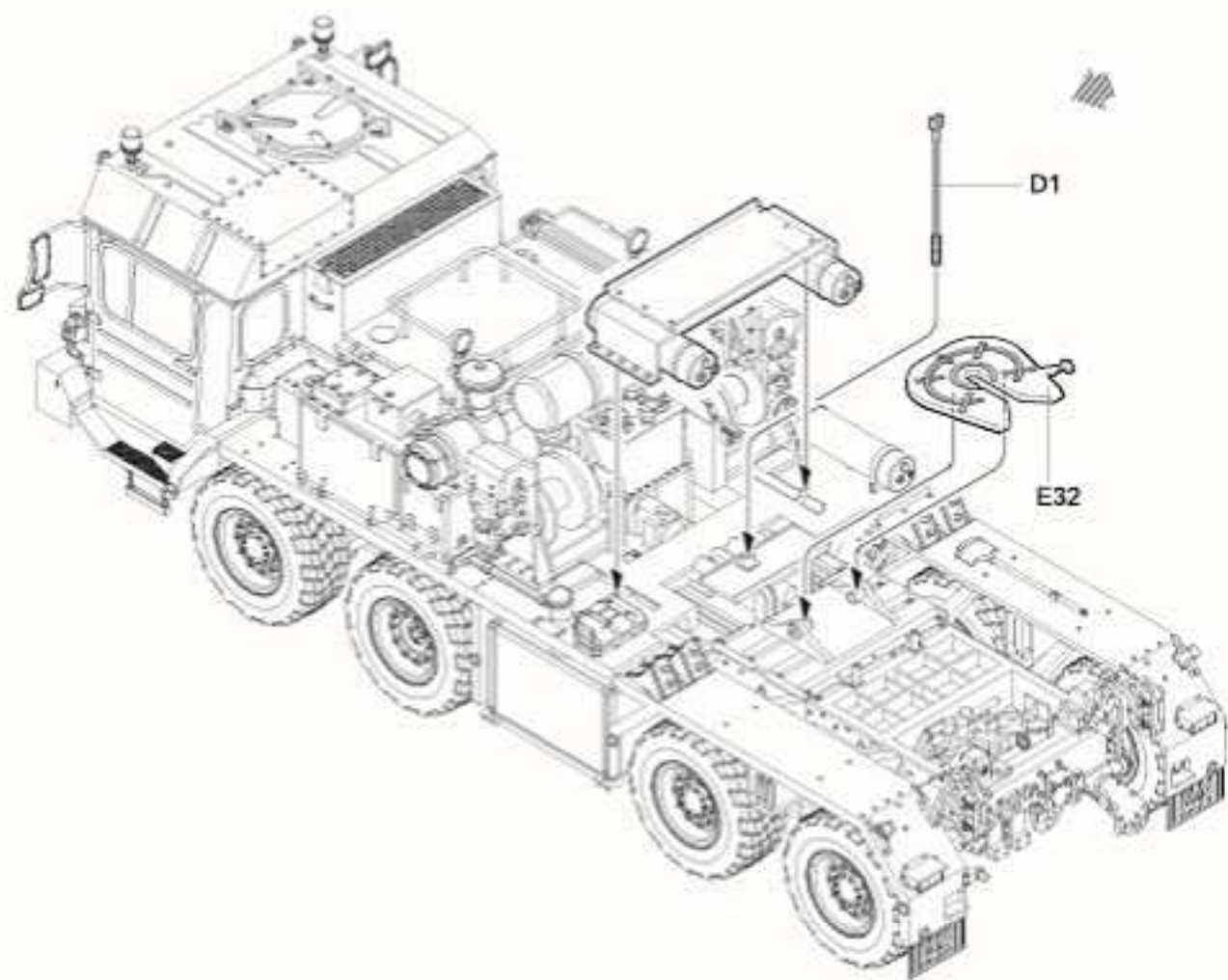
20 左侧绞盘安装
Attaching left winch



21 右側絞車安裝
Attaching right winch

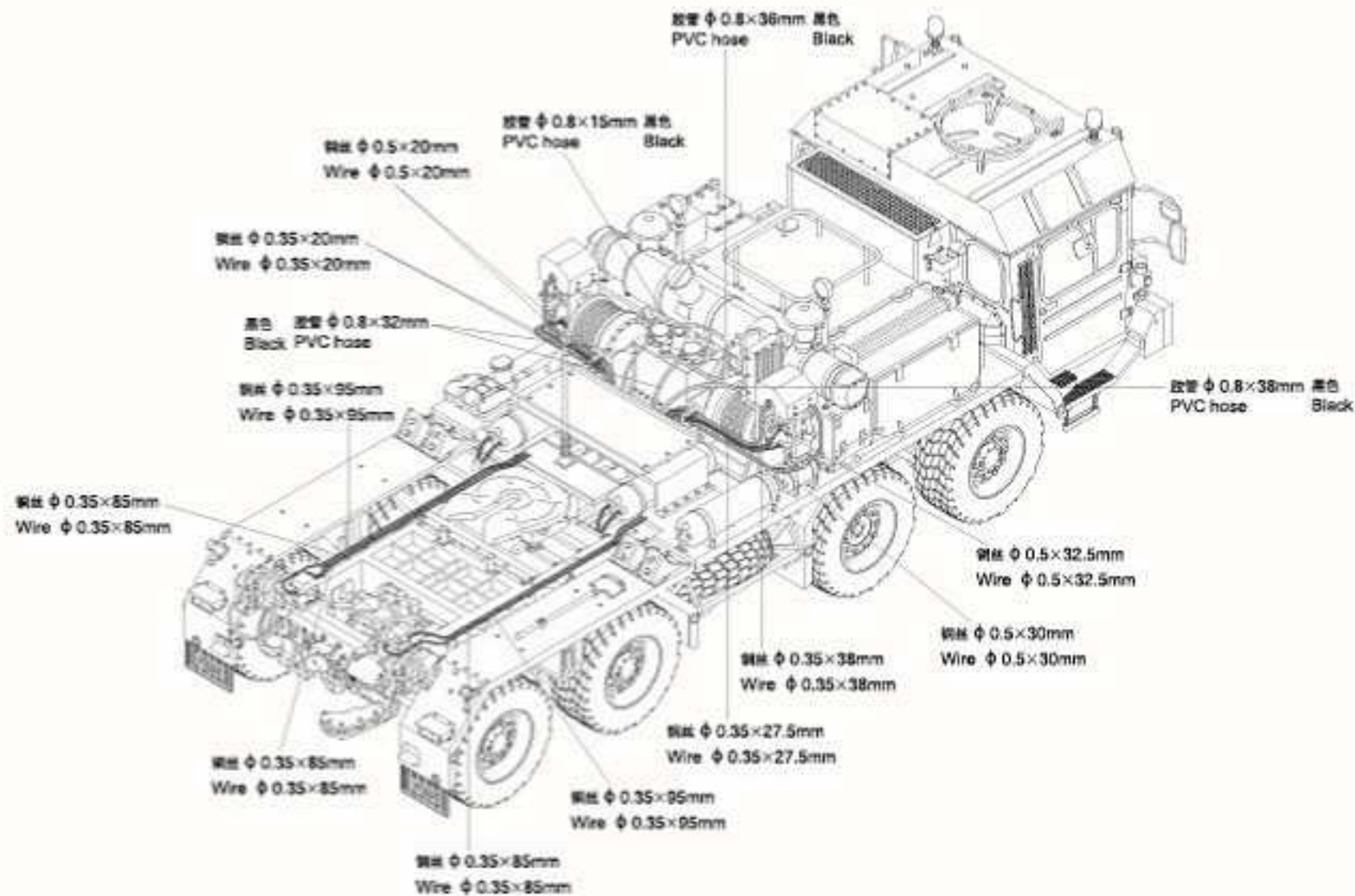


22 半拖车接轮组
Fifth-wheel assembly

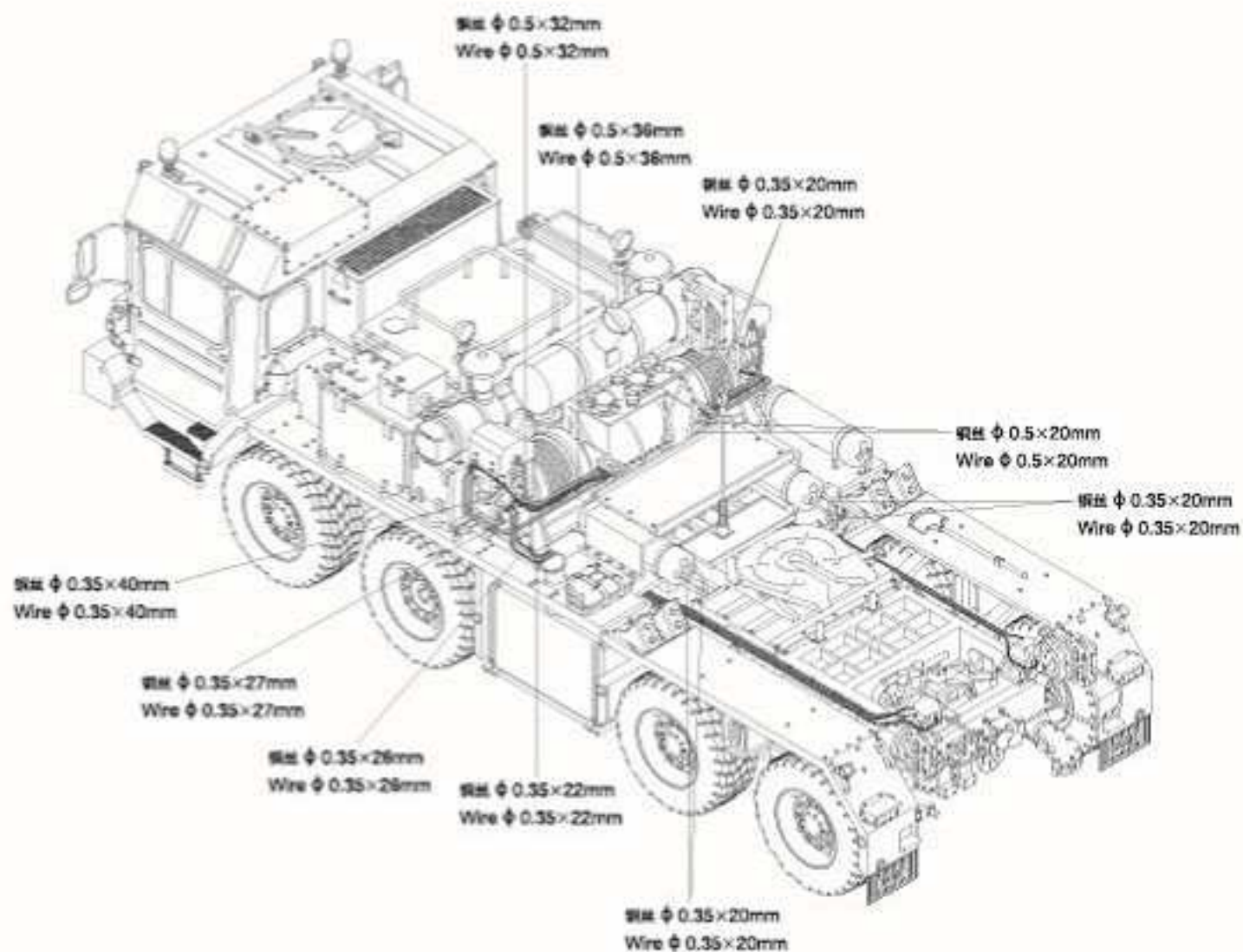


Ø152mm
Make two

23 连接管框架
Add PVC hose and pipes as shown

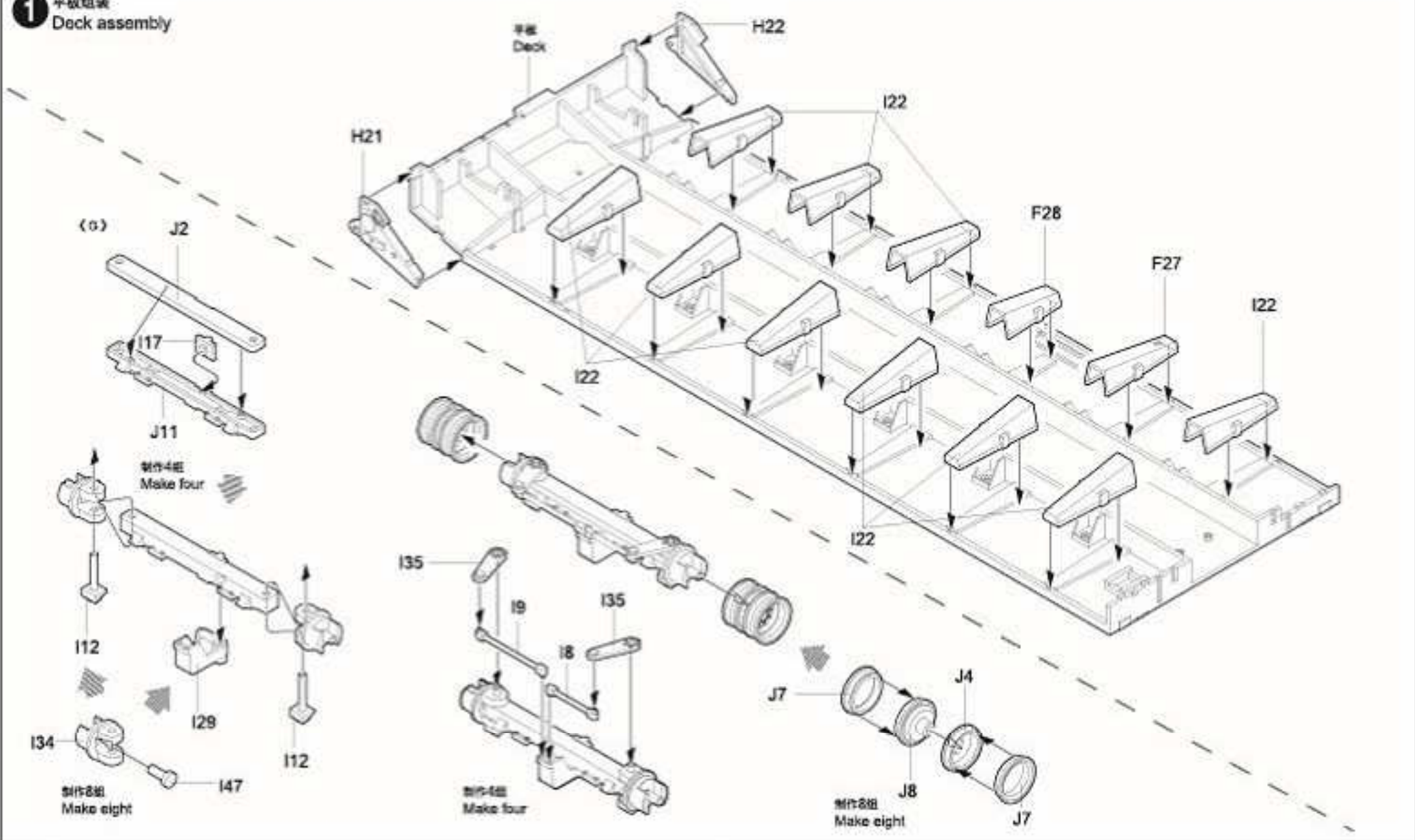


24 连接管组装
Add PVC hose and pipes as shown:

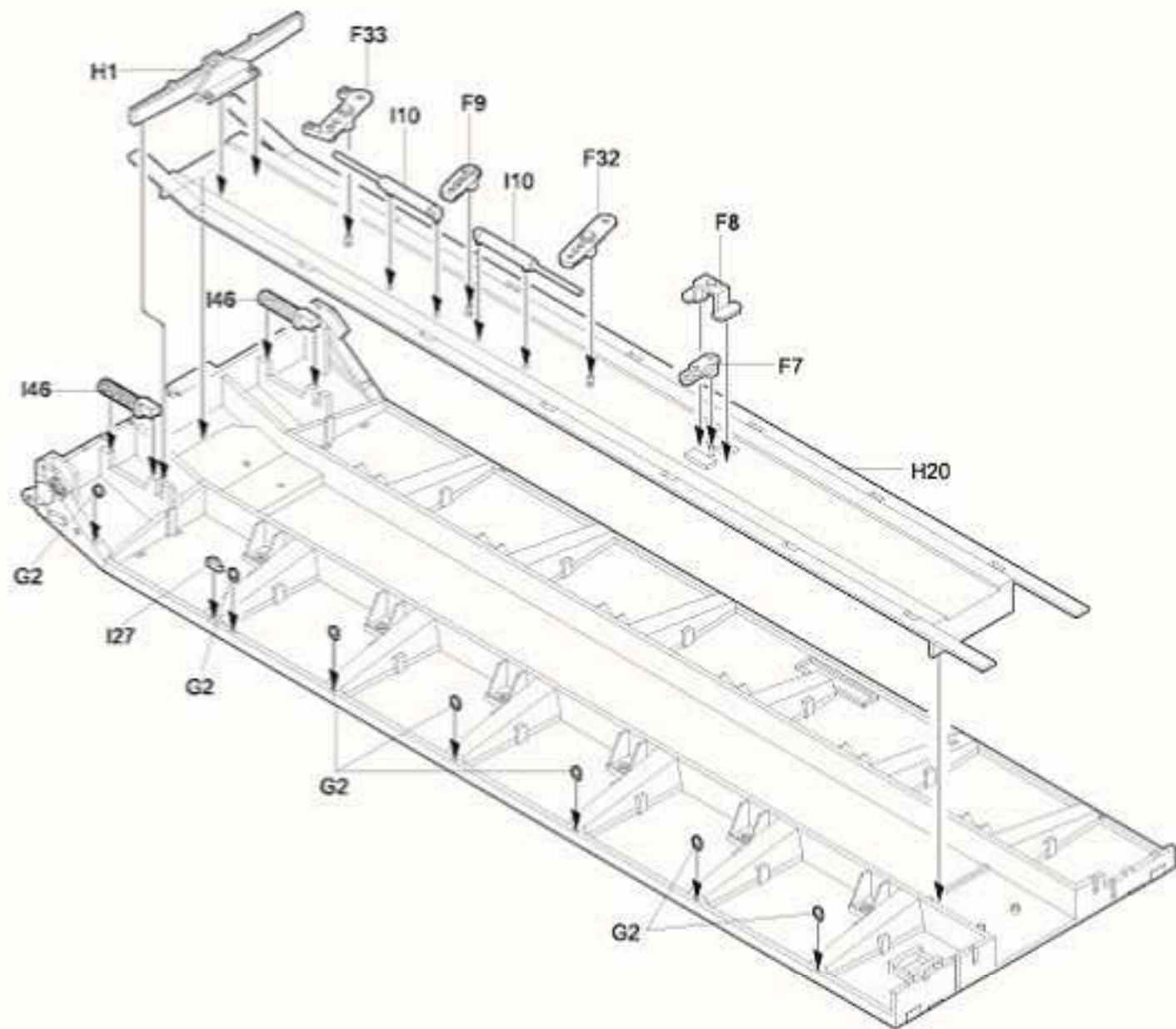


拖板组装说明书
TRAILER Assembly instructions

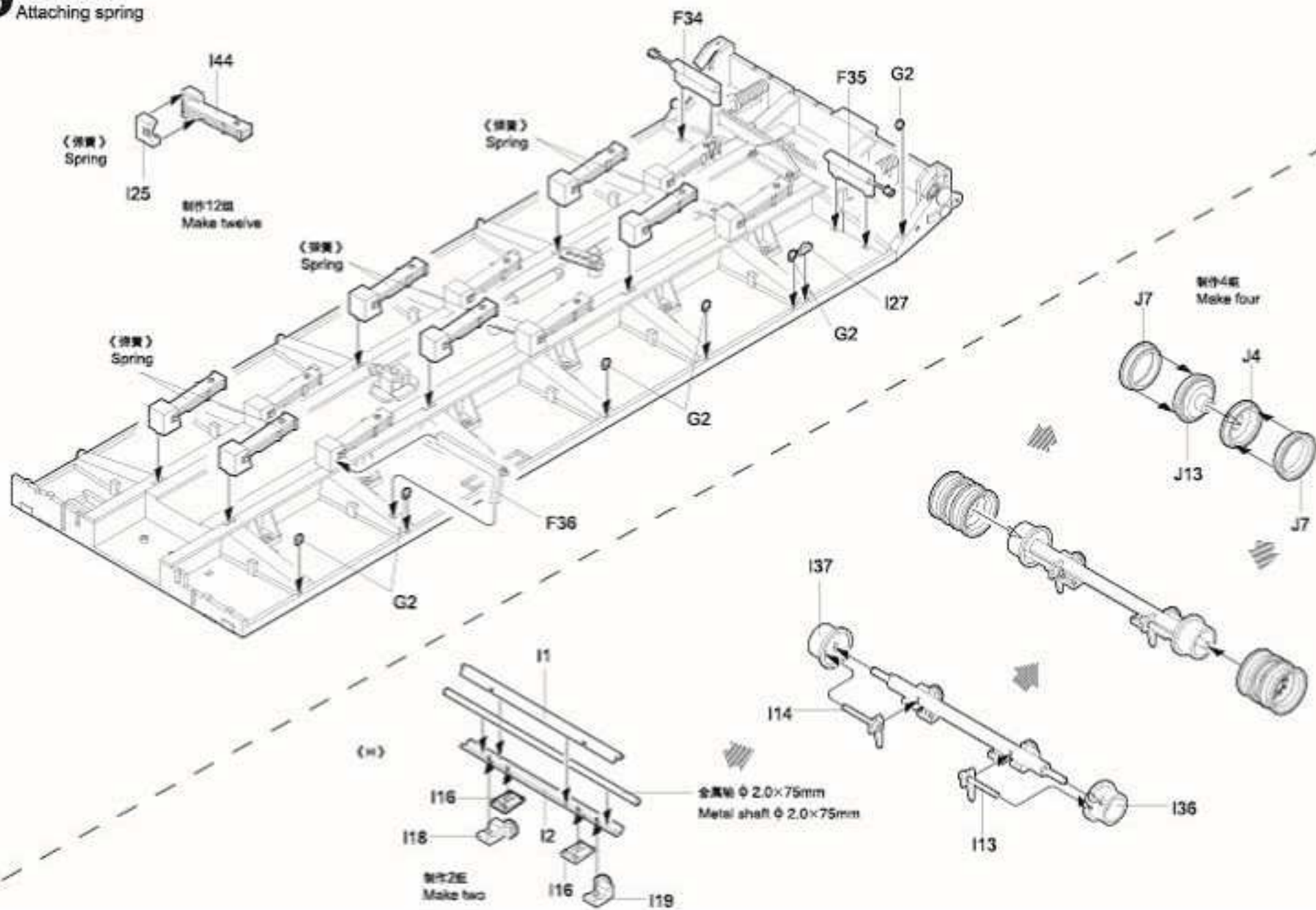
1 平板组装
Deck assembly



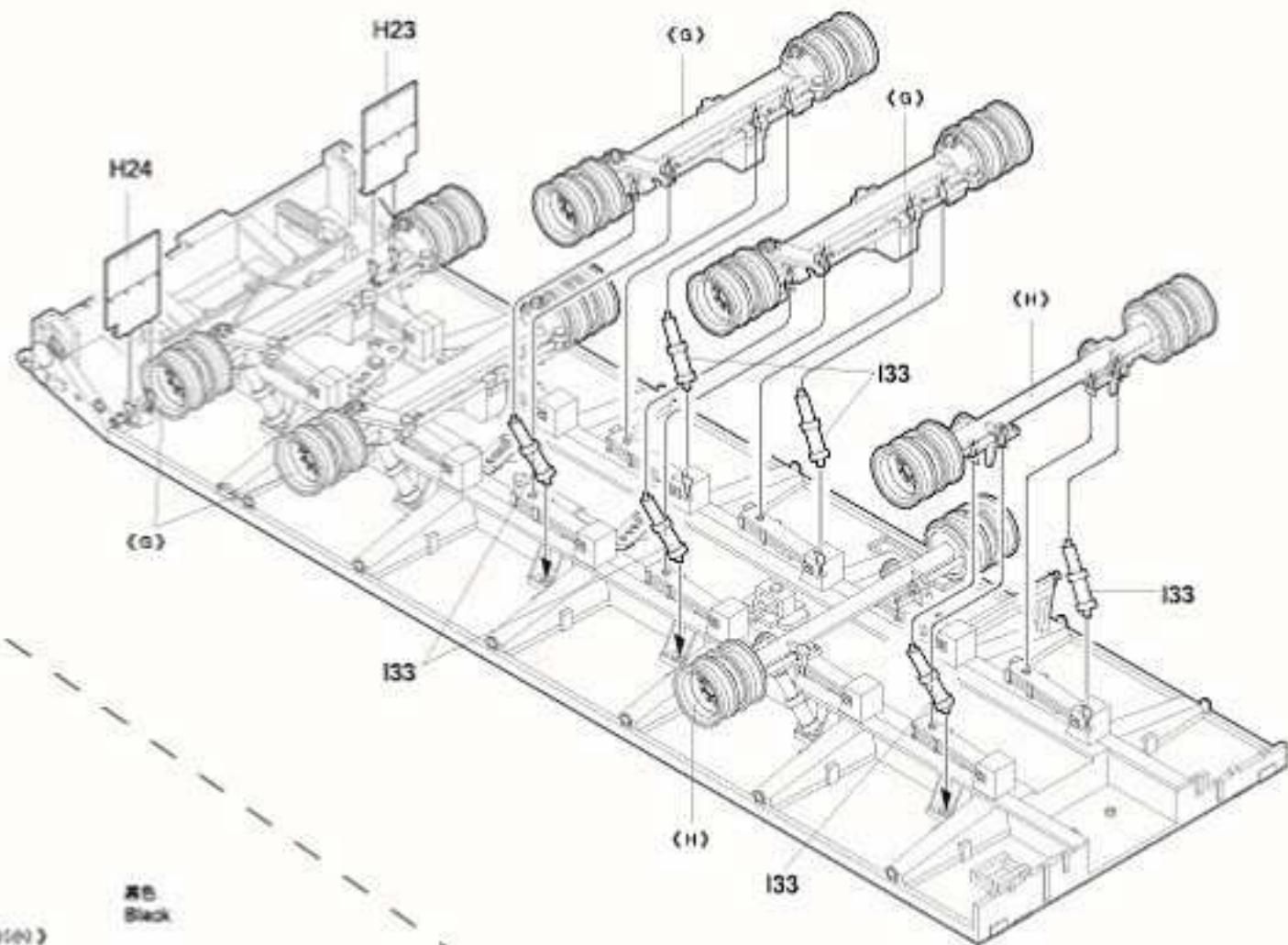
2 甲板組裝
Deck assembly



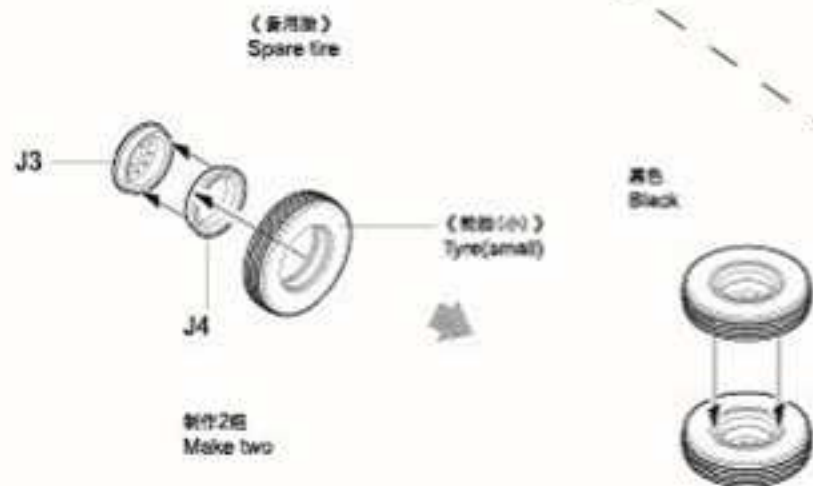
3 鋼板彈簧安裝
Attaching spring



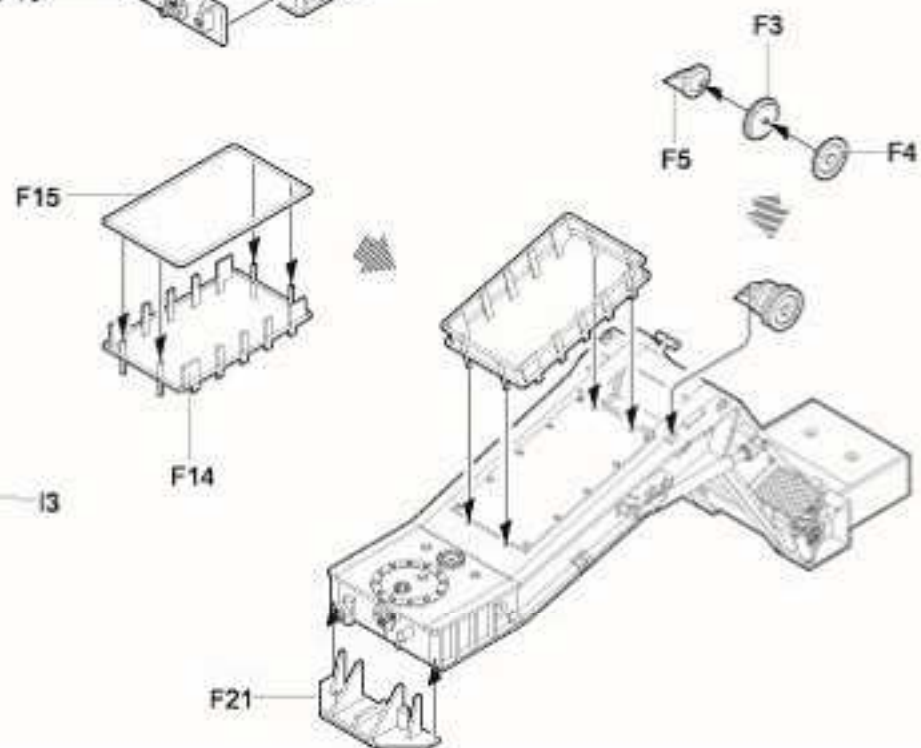
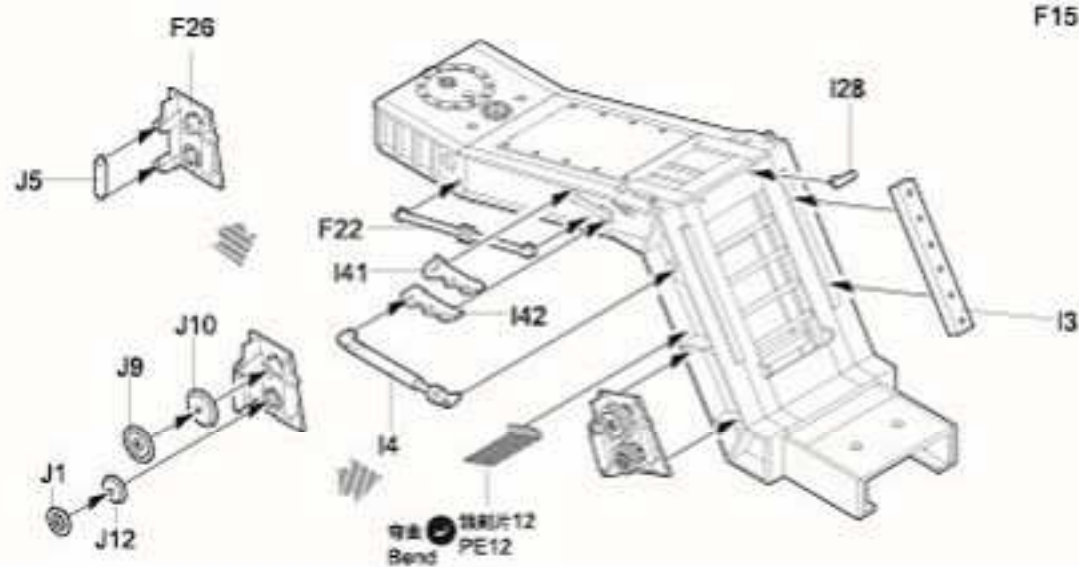
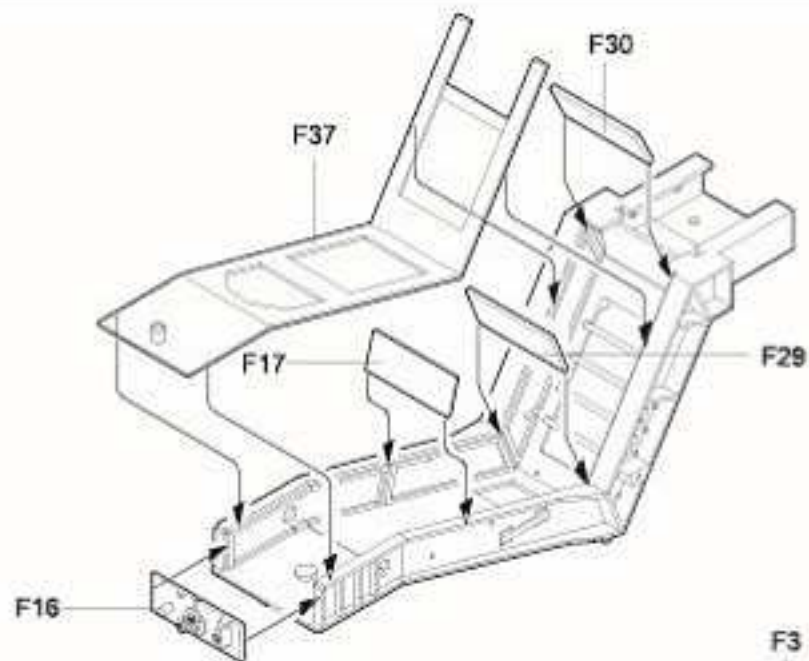
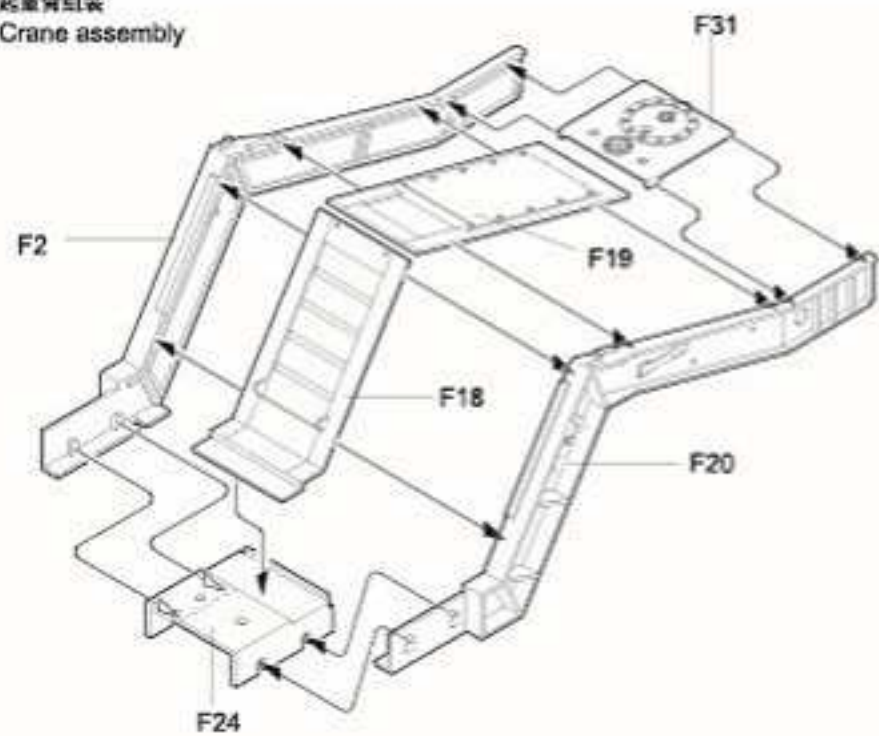
4 平板安裝
Attaching deck



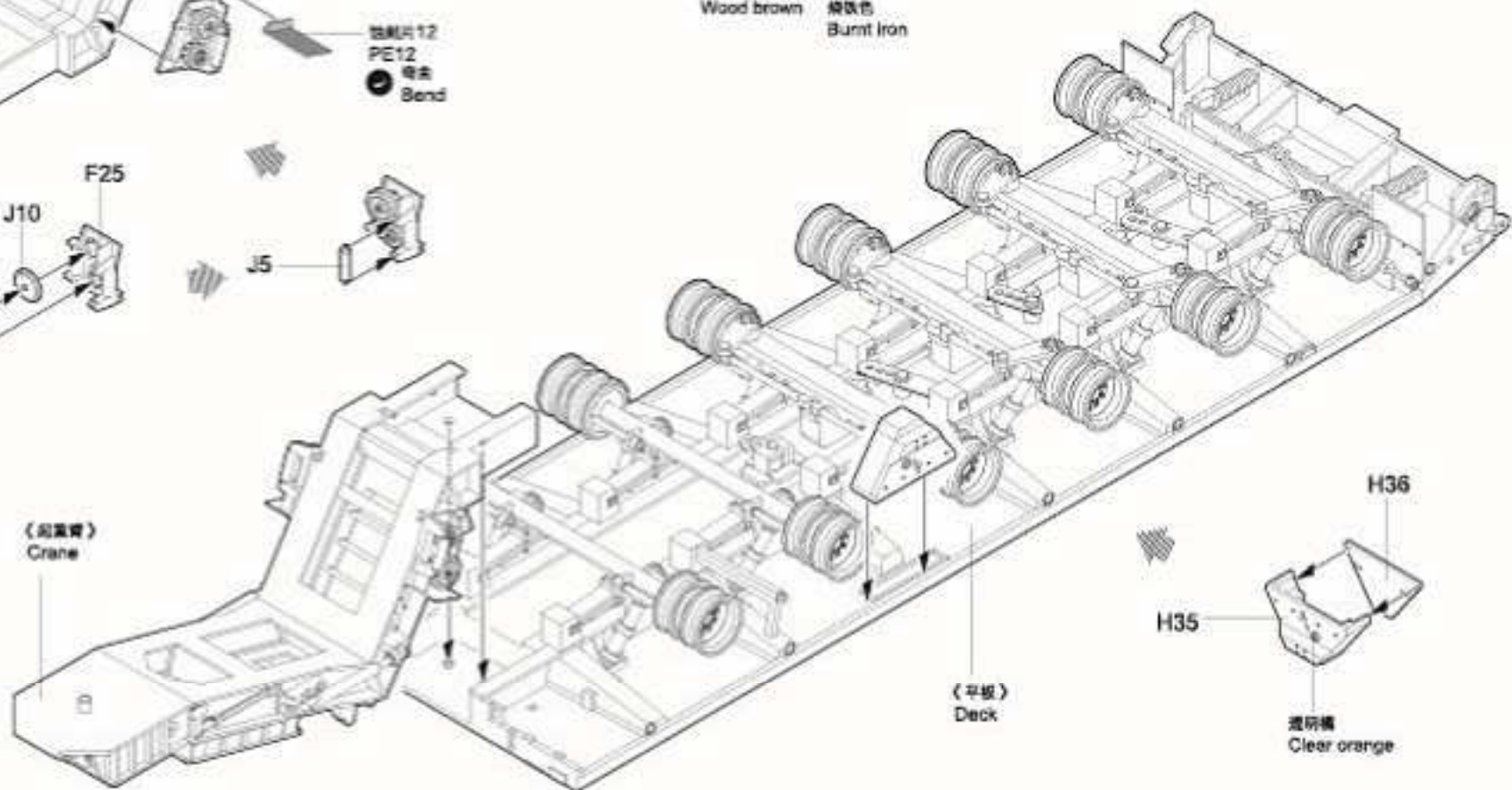
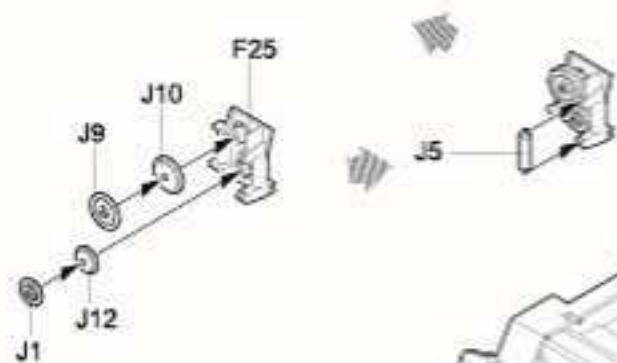
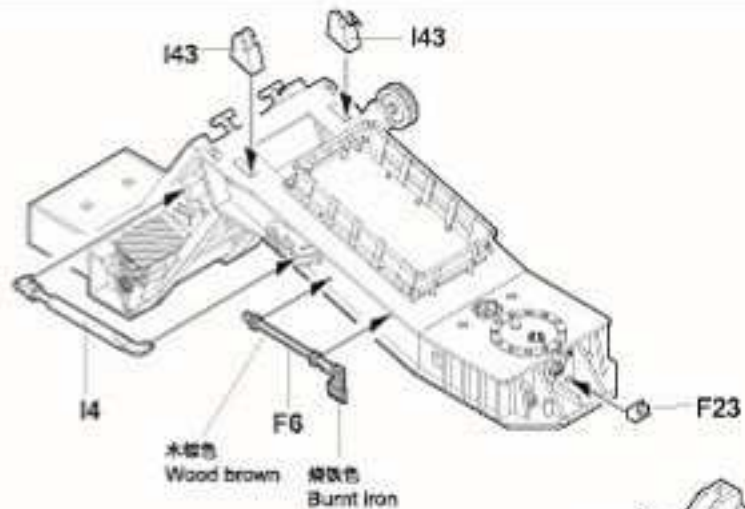
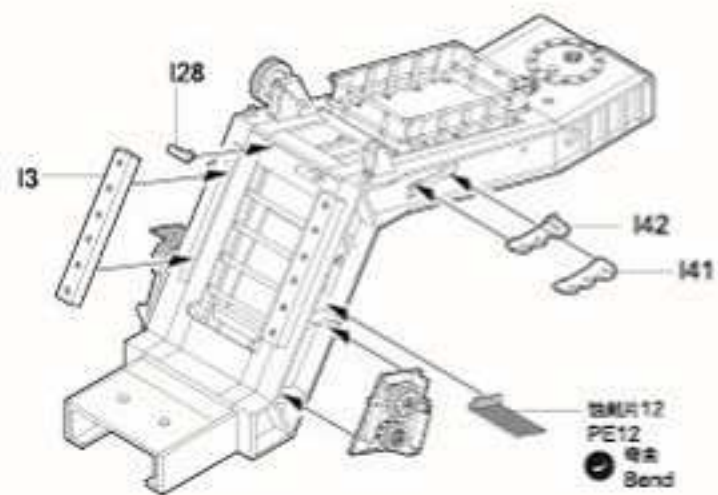
5 备用胎組裝
Spare tire assembly



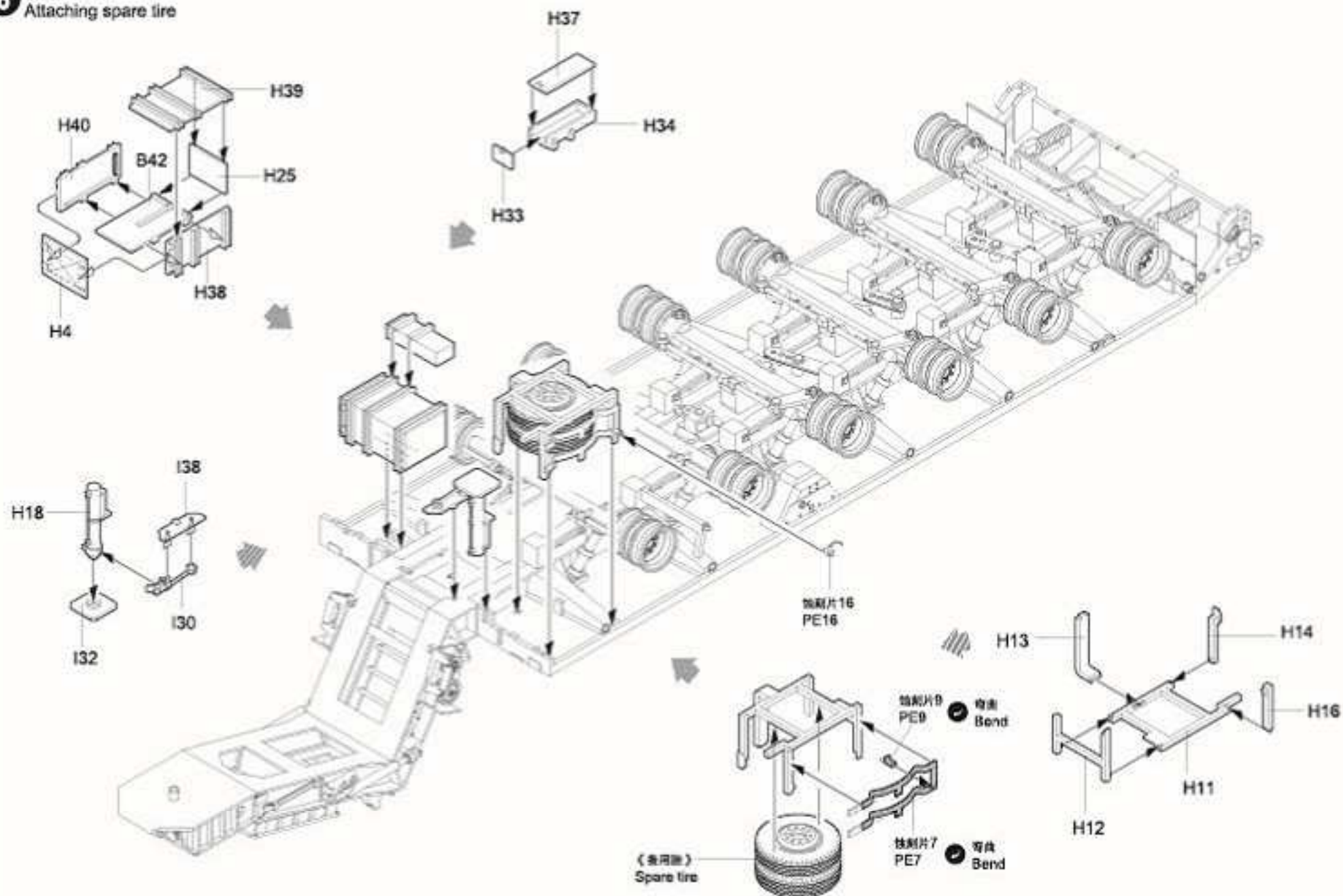
6 起重臂组装
Crane assembly



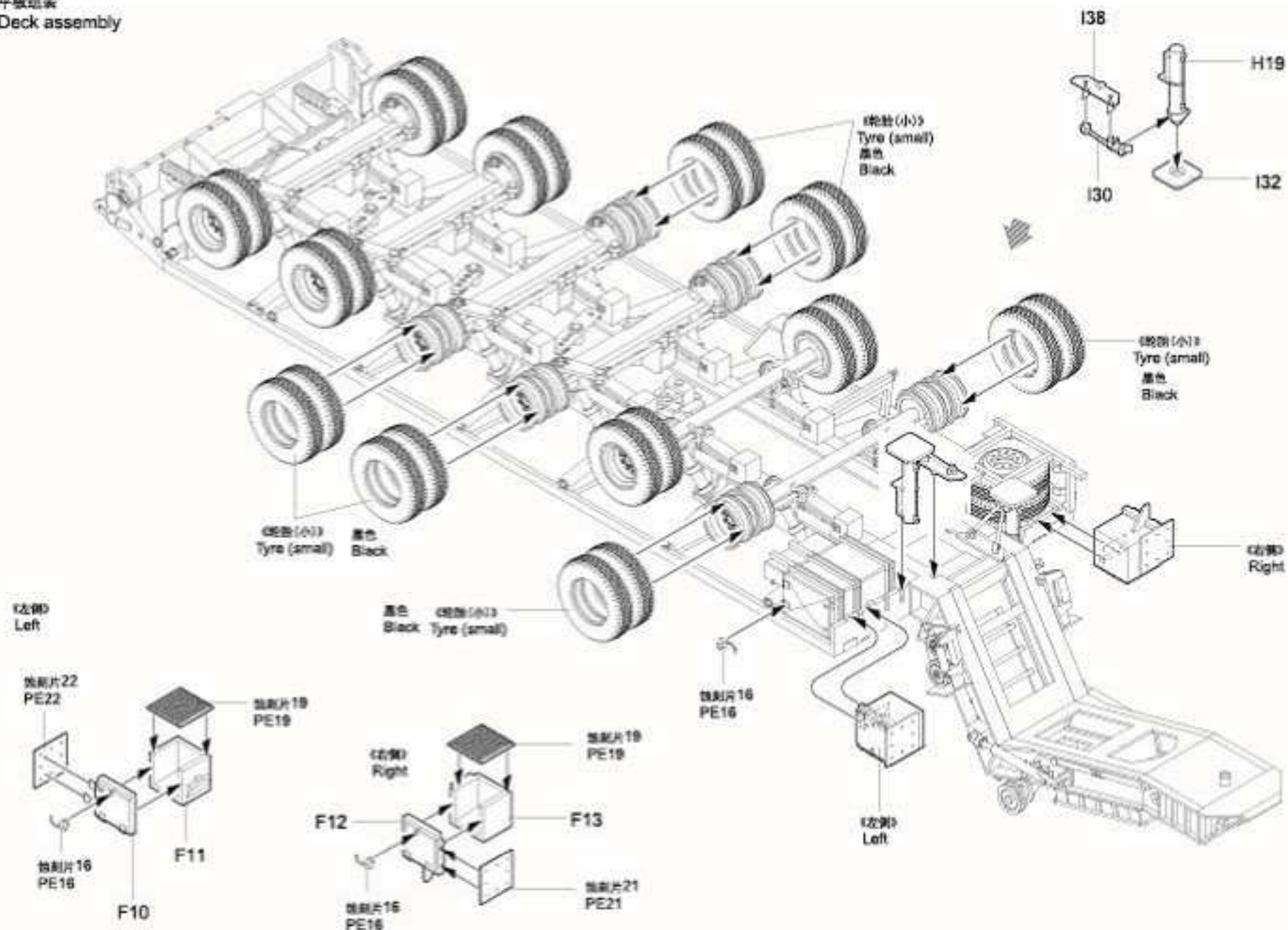
7 起重臂组装
Attaching crane



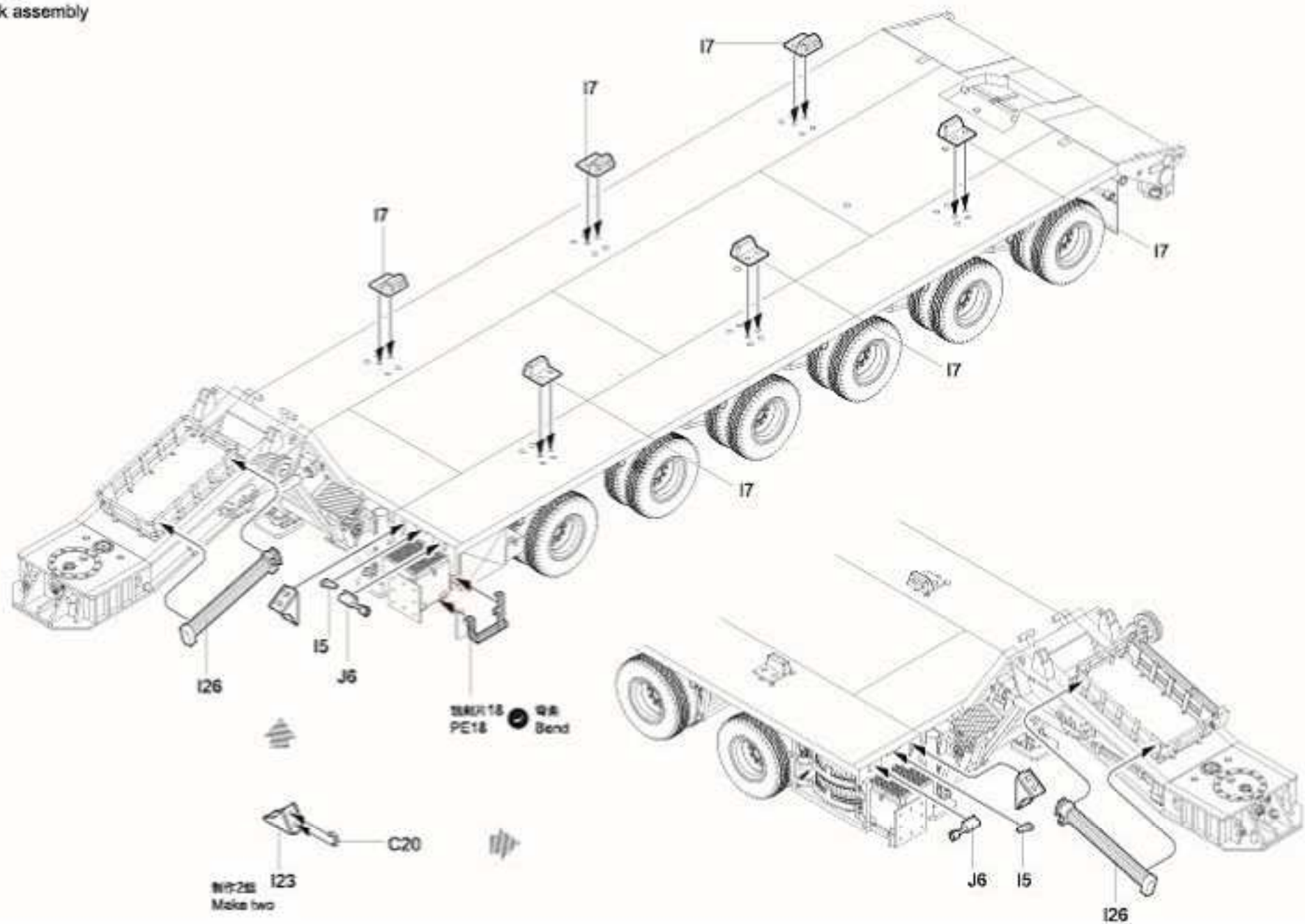
8 备用胎的安装
Attaching spare tire



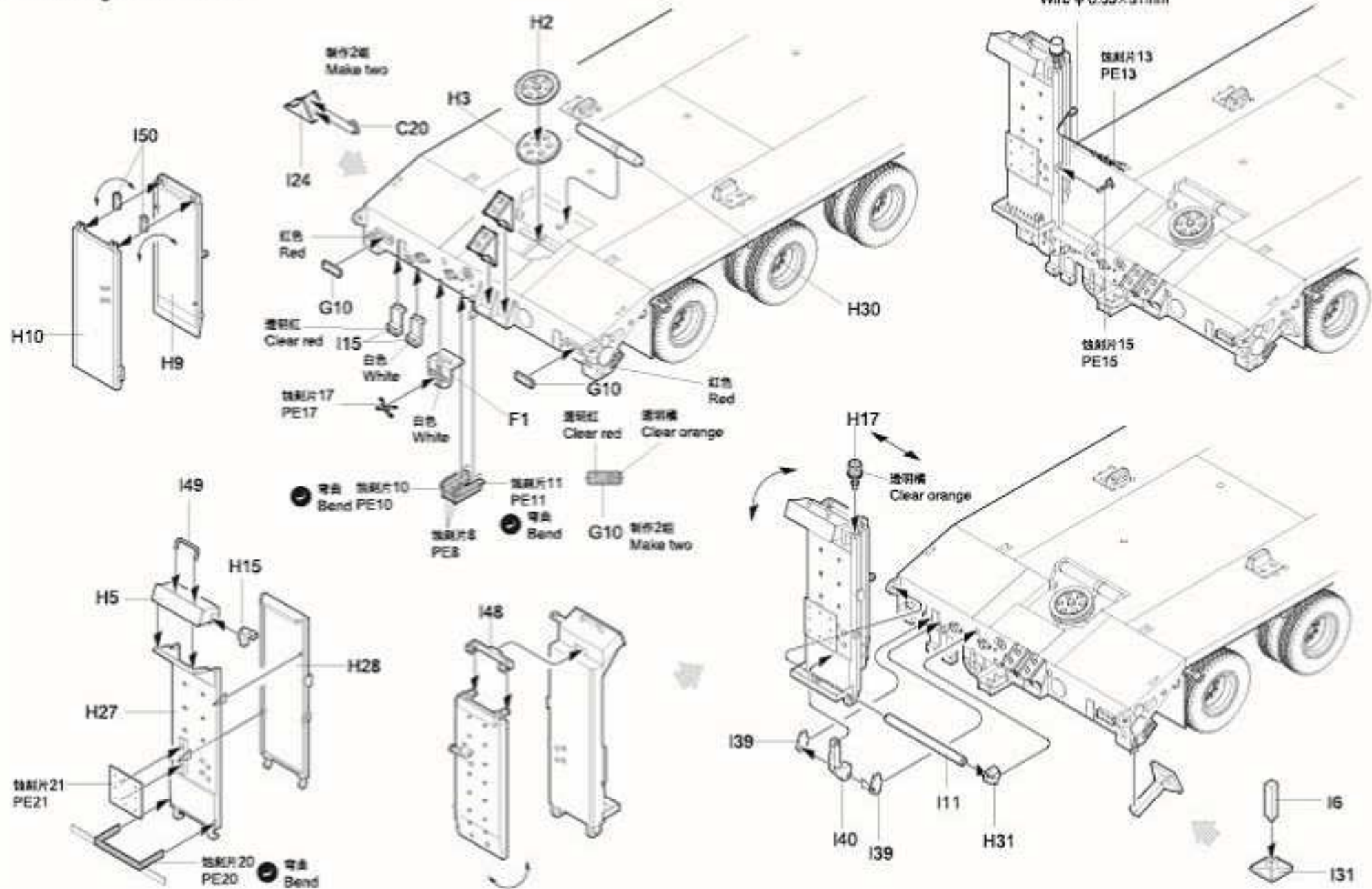
9 平板组装
Deck assembly



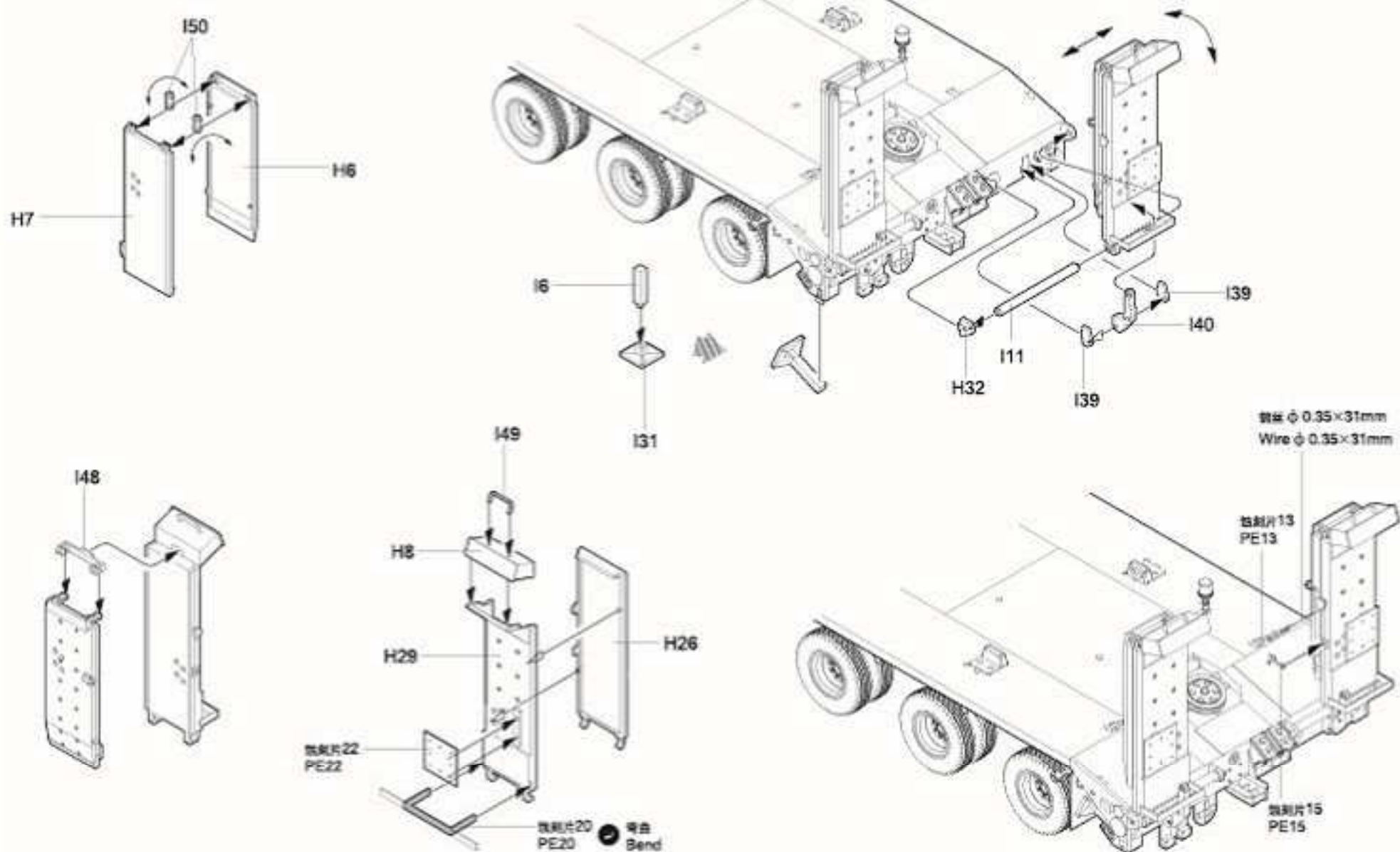
10 平板组装
Deck assembly



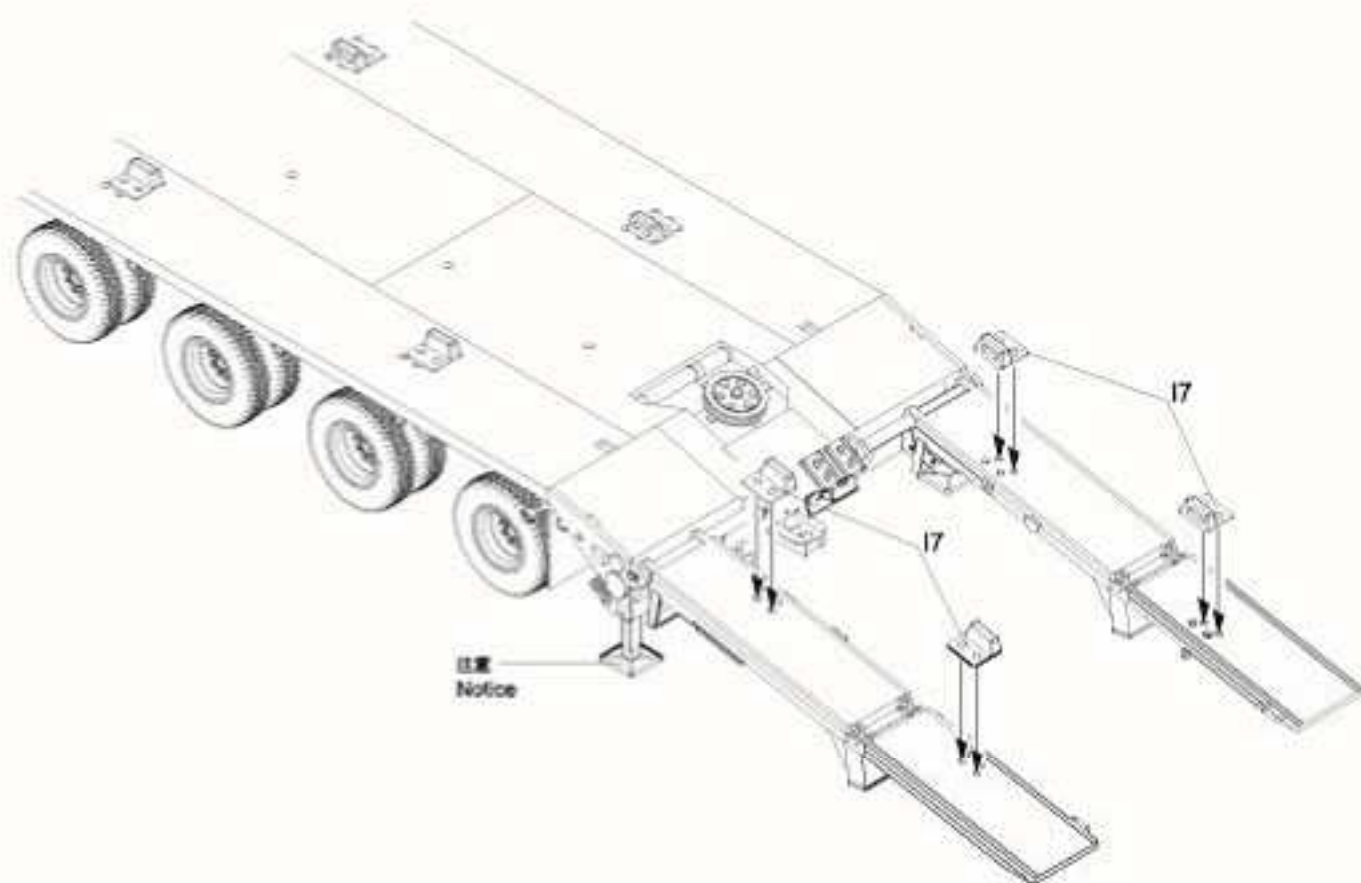
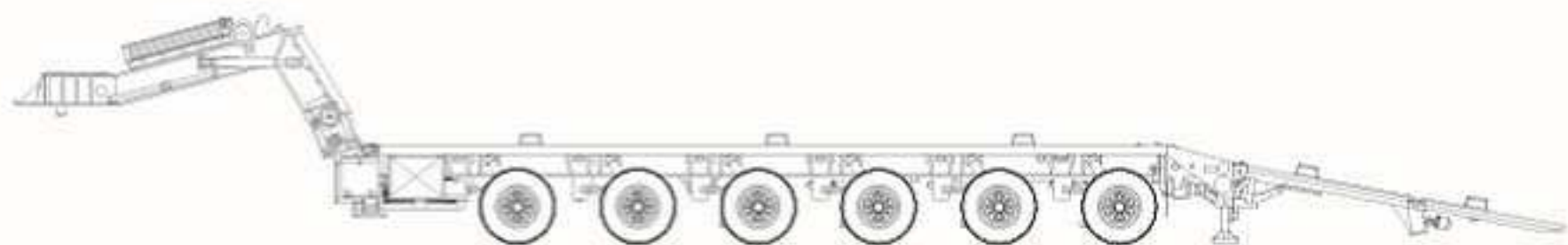
11 左侧连接桥安装
Attaching left connect axle



12 右侧连接桥安装
Attaching right connect axle

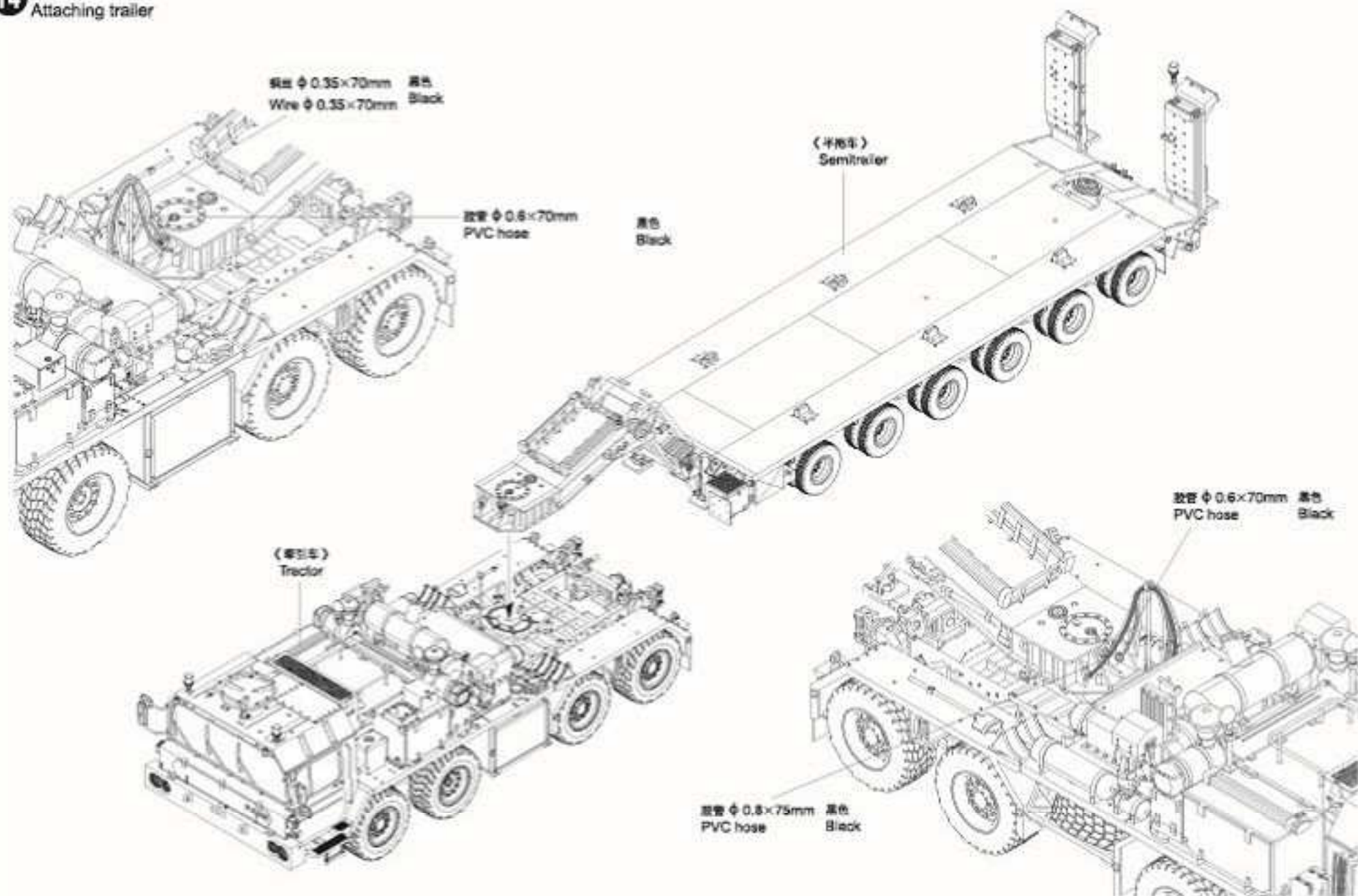


13 连接桥打开状态安装
Attaching open connect axle

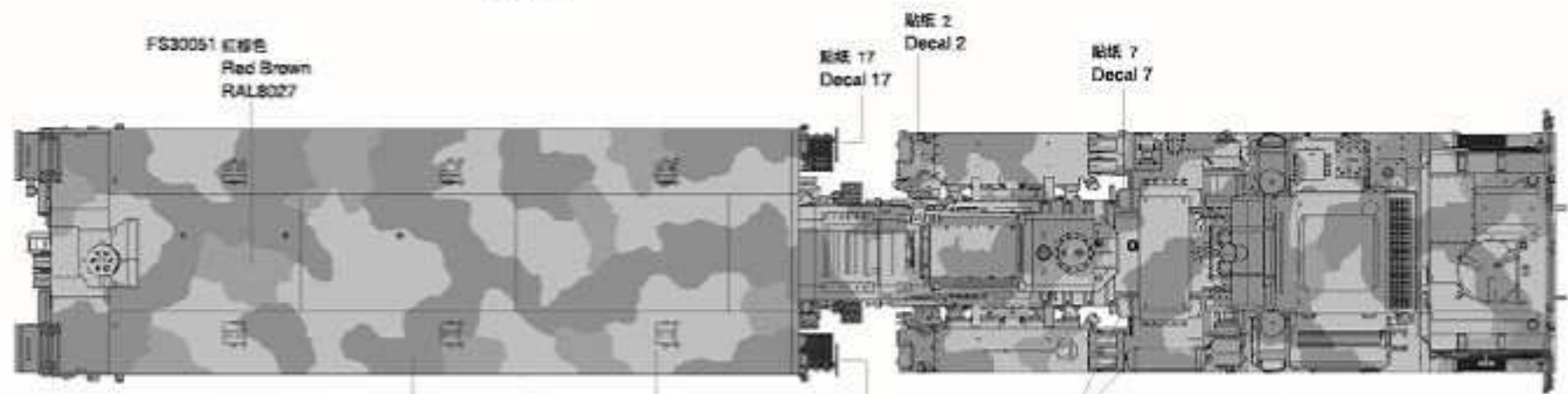
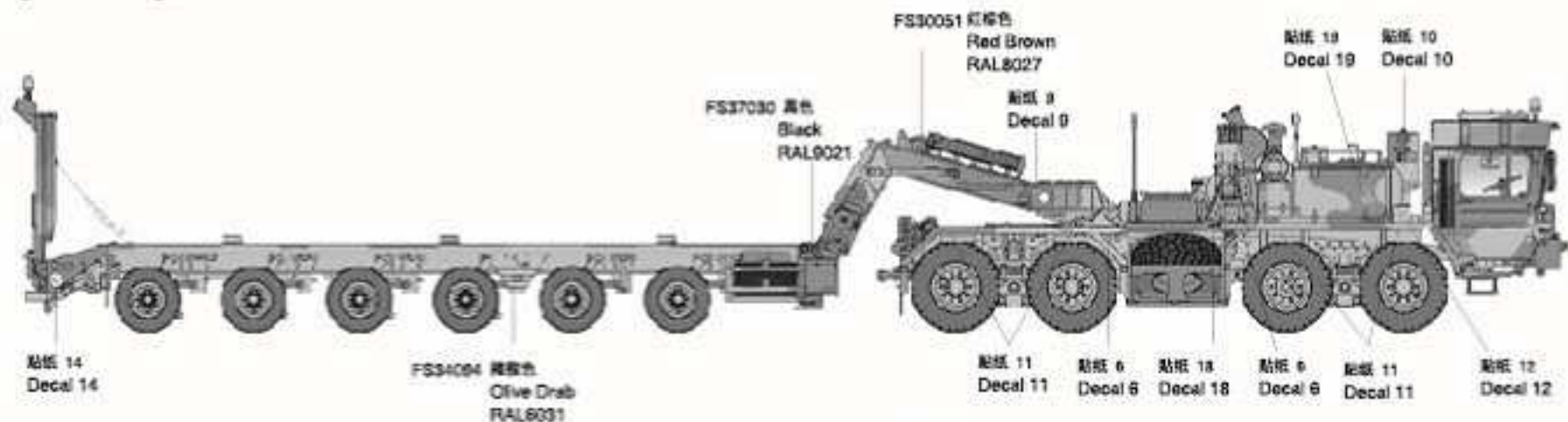


注意
Notice

14 连接拖板
Attaching trailer



涂装同标贴指示 Painting & Marking Guide



FS34094 橄榄色
Olive Drab
RAL6031



FS30051 红棕色
Red Brown
RAL8027



FS37030 黑色
Black
RAL9021

Color Used:	Fd.stand.#	Testers color	Floquil color	Gurze Sangyo.
	FS34094	1710	FS05354	TC10
	FS30051	4263	FS05352	TC11
	FS37030	1749	FS05350	TC12

