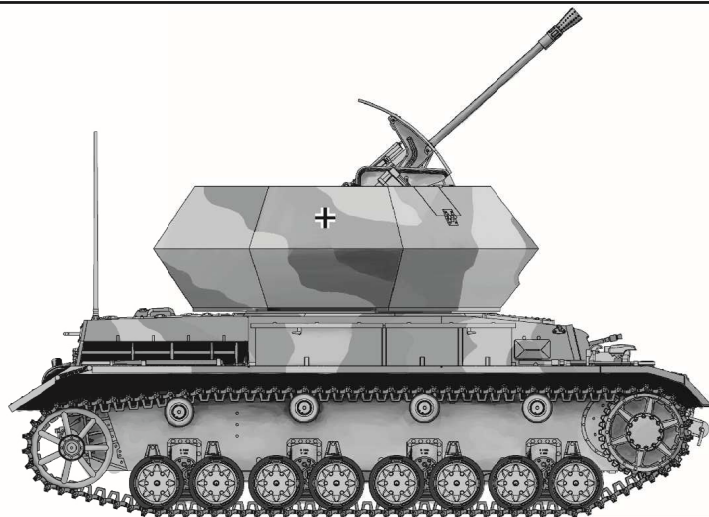


1:35 SCALE

ITEM NO.:01520



# German 3.7cm Flak 43 Flakpanzer IV "Ostwind"

德国“东风”37毫米IV型自行高炮

**READ BEFORE ASSEMBLY:**

- Study and understand these instructions thoroughly before beginning assembly
- When needed, remove photo-etch parts carefully using a modeling knife or photo etch sprue cutter, being careful not to damage or lose small parts.
- Take extra care in handling photo etch parts in order to avoid injury
- Apply instant cement sparingly to photo etch parts where instructed
- Tools recommended(not included in kit):Plastic and instant cements, sprue cutters,long nose pliers,modeling knife, small files, tweezers, pin vise & scissors. Soft cloth and sandpaper will also assist in construction
- Glue and paint are not included in the kit. Use plastic cement and hobby paints only. Color guide for purchasing paint is included in the kit.

**装配之前仔细阅读**

- 小心用模型锉刀锉平所有零件表面的注射浇口。
- 小心用刀片切下蚀刻片零件，不要遗失小零件。
- 用强力快干胶水粘合蚀刻片零件和金属轴。过量快干胶水使用可能导致可动零件会粘住，小心涂胶。
- 取蚀刻片时应特别注意安全，防止利边划伤手指。
- 某些零件表面需贴上水贴纸，请选择在装配的同时进行。
- 推荐模型工具(自备)：胶水，水口剪刀，长咀钳，刀片，锉刀，镊子，钳，钻，剪刀，瞬间快干胶。
- 软布同砂纸同时也应该是必备工具。
- 请使用塑料胶水和油漆，模型内不含。



配重  
Weight



使用强力胶  
Cyanoacrylate glue



钻孔  
Make hole



切除  
Cut / Remove



贴纸  
Decal



锉平  
File / Sand



选择  
Option



不涂胶水  
No cement



弯曲  
Bend

**水贴纸的使用:**

- 1.从水贴上剪下印花;
- 2.将印花放入温水中浸10秒，然后放在干净布上。
- 3.拿着印花纸板将印花移到模型上;
- 4.手指蘸水将印花移到适当的位置;
- 5.用软布轻压印花直至水干，气泡消失

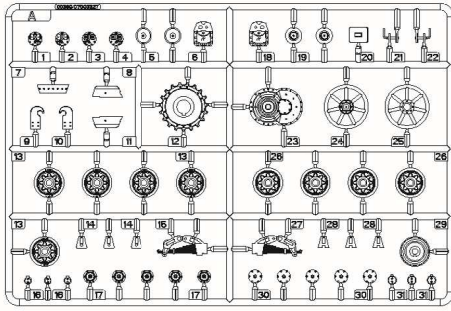
**DECAL APPLICATION**

- 1.Cut decals from sheet as needed
- 2.Dip the decal in warm water for about 10 seconds and then place on soft clean cloth.
- 3.Hold the decal backing sheet edge and gently slide the decal onto the model in its proper position.

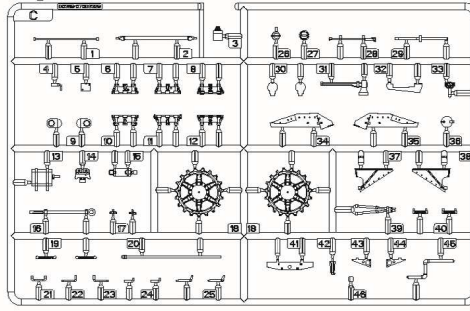
- 4.While still wet,decal can be adjusted for better fit on model by dampening it gently with your finger.
- 5.When placed in the proper position,gently press decal down with a soft cloth until excess water and air bubbles are gone.
- 6.Allow decal to dry completely before handling model

# 部品图 Parts

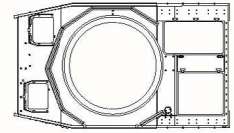
A×4



C



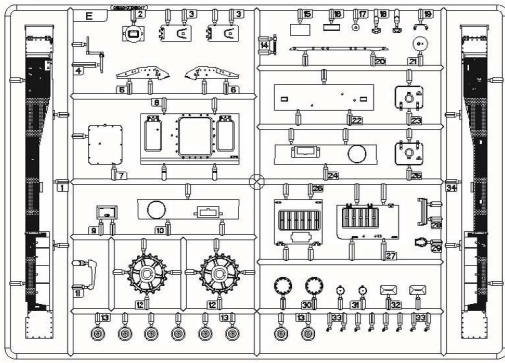
《车面》  
Upper hull



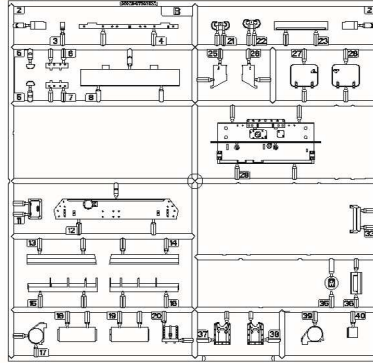
《车底》  
Lower hull



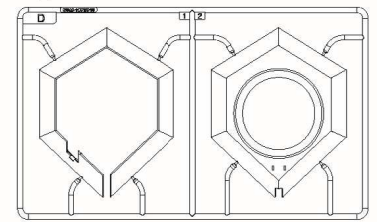
E



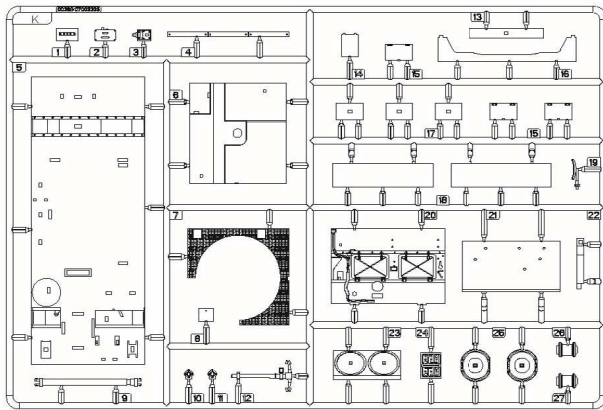
B



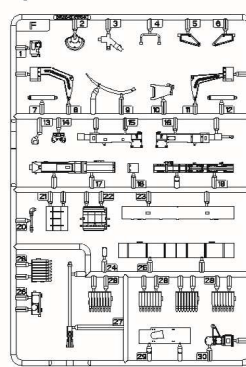
D



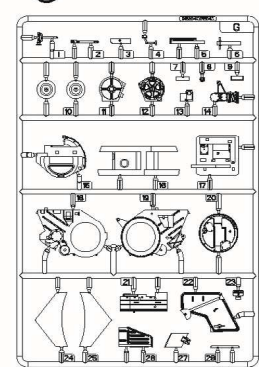
K



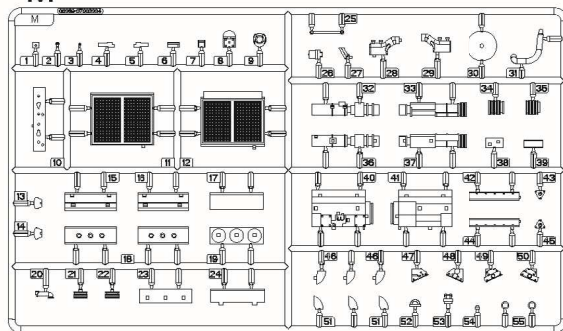
F



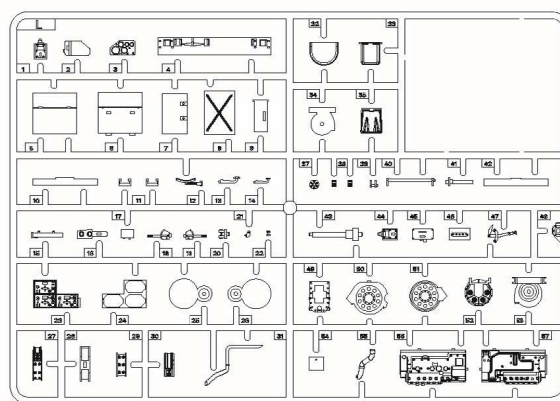
G



M



L

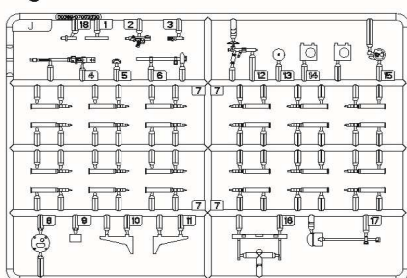


《水贴纸》  
Decal

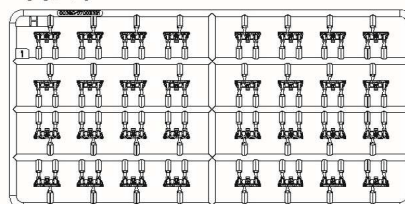
1 2 3 4 5  
1 2 3 4 5  
1 2 3 4 5  
6 7 8 9 0  
6 7 8 9 0  
6 7 8 9 0  
+ 1 +

01520 1/20 00000  
© 2000 TRAPLET

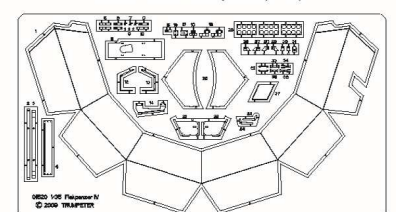
J



H×7

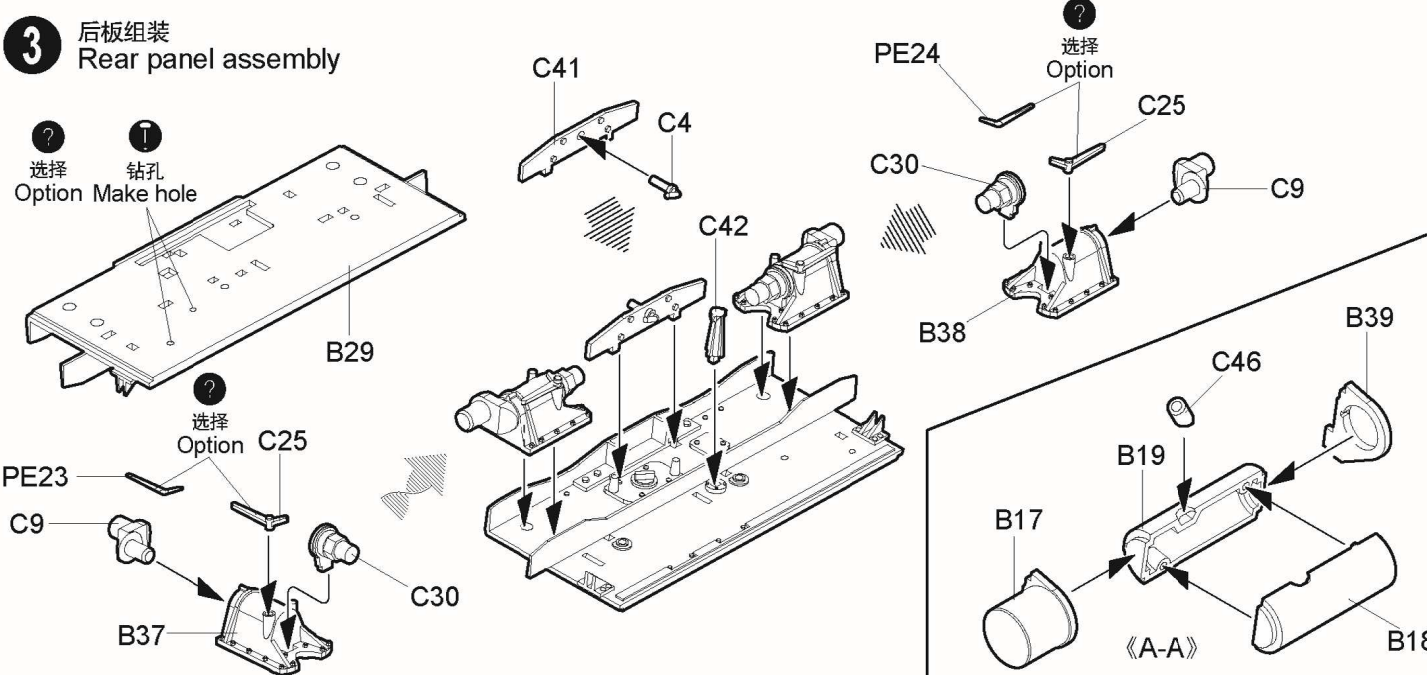
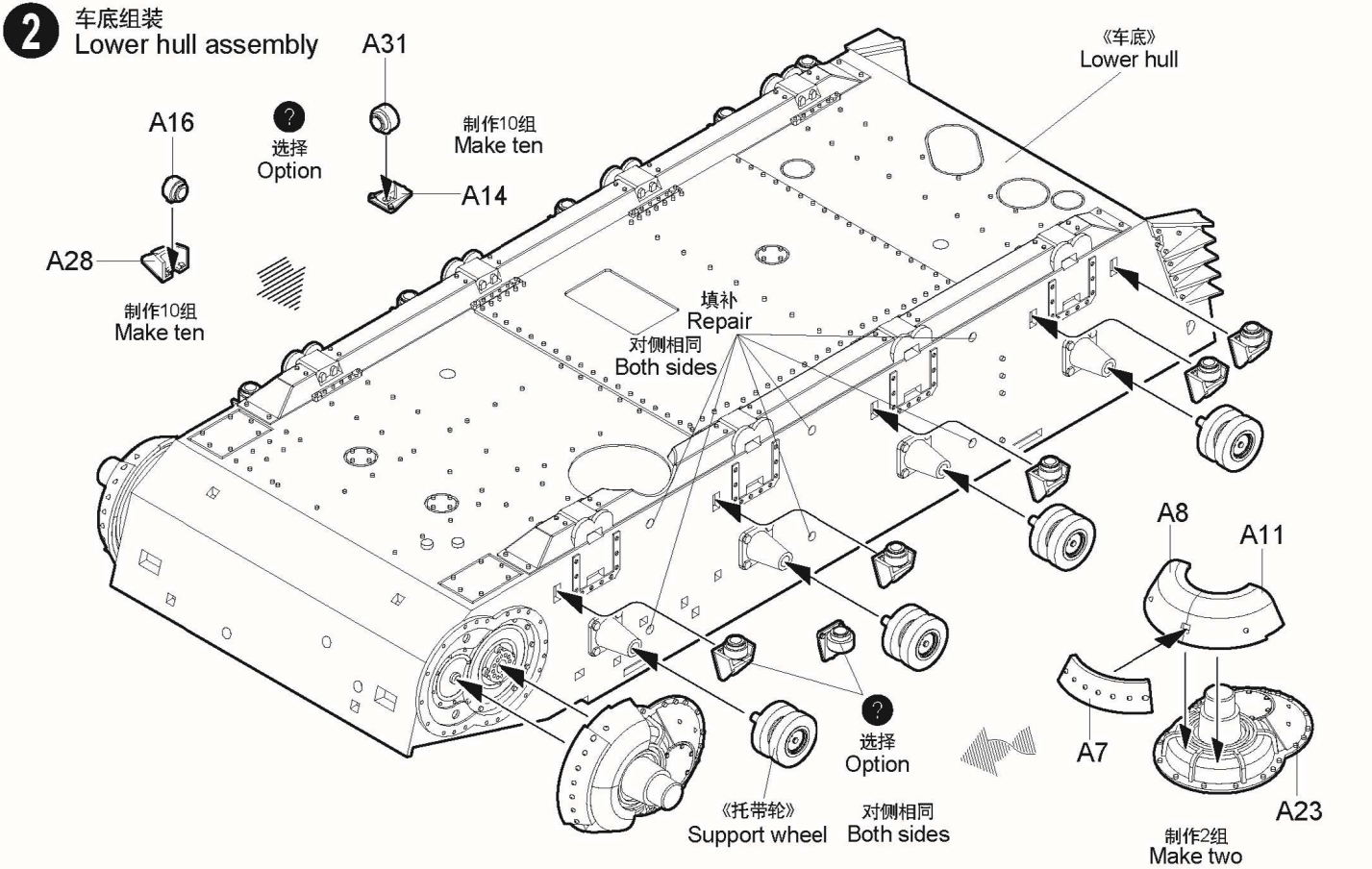
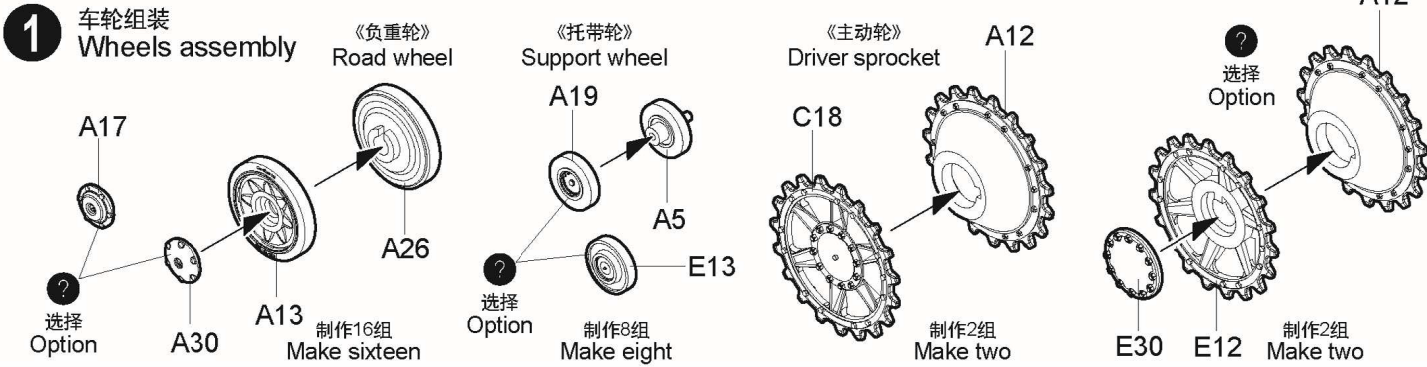


《蚀刻片》  
Photo etched part(PE)

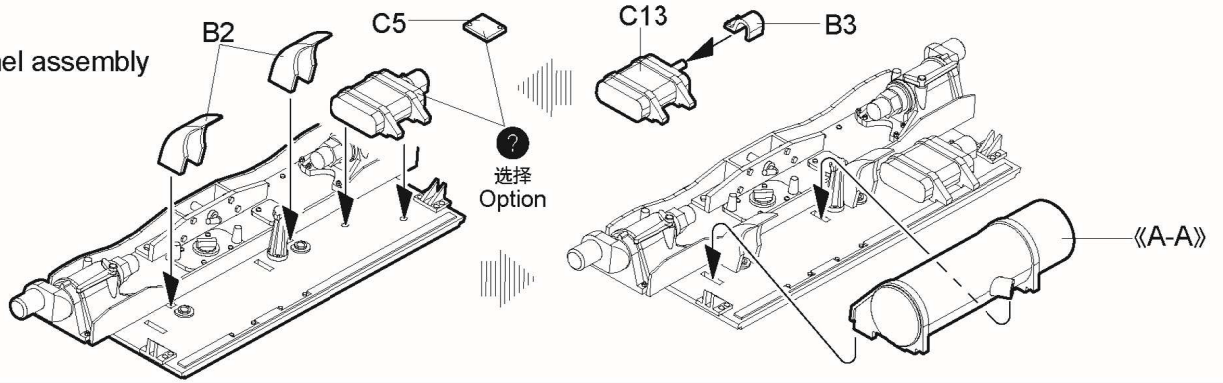


不用部品 : B4, B5, B11, B33, B35, C34, C35, C45, J2, J3, J4, J5, J7, J8, J12, J15, K18, L12, L44, L45, L46, L54, M13, M14, M39  
Unused part

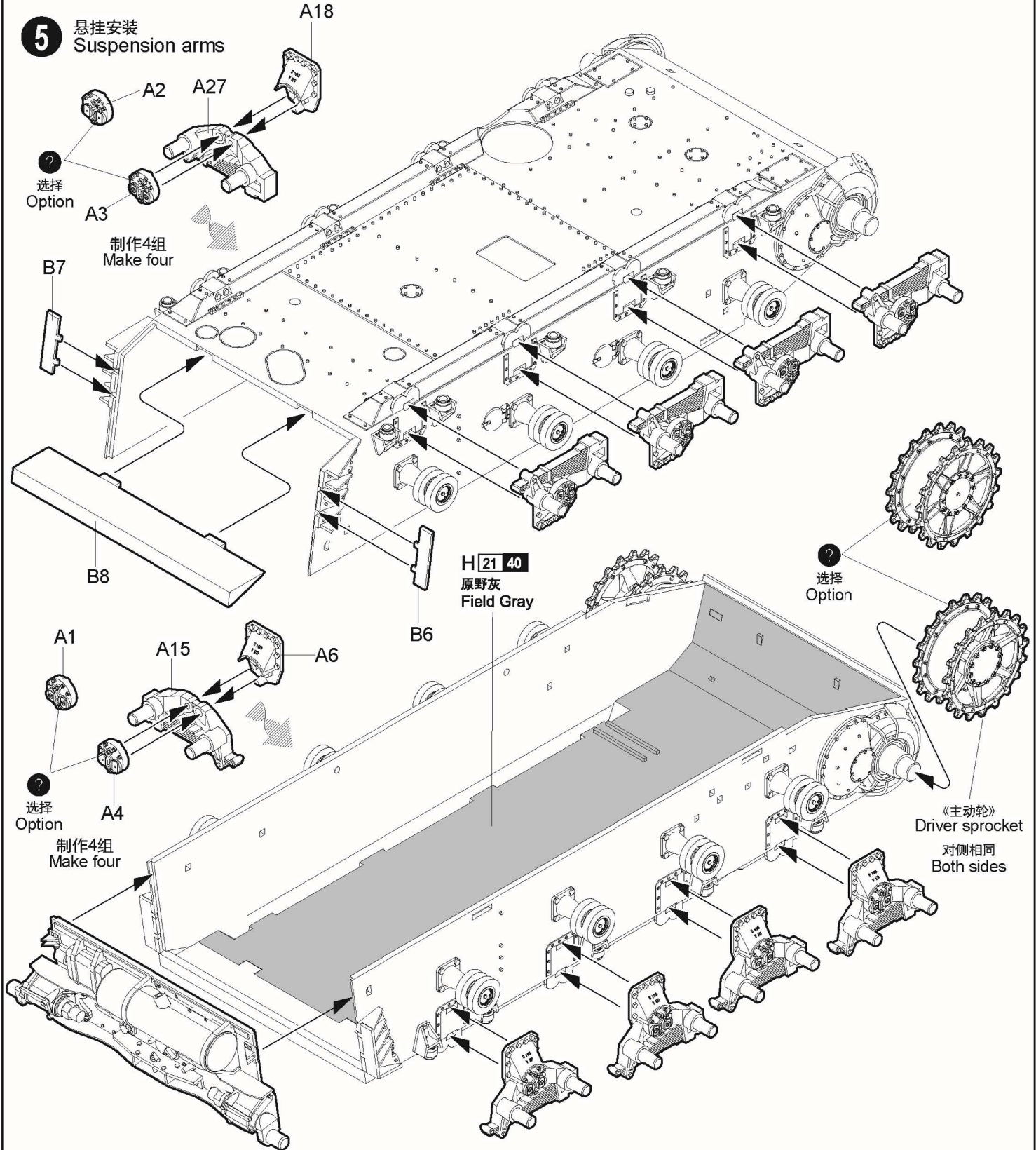




**4** 后板组装  
Rear panel assembly

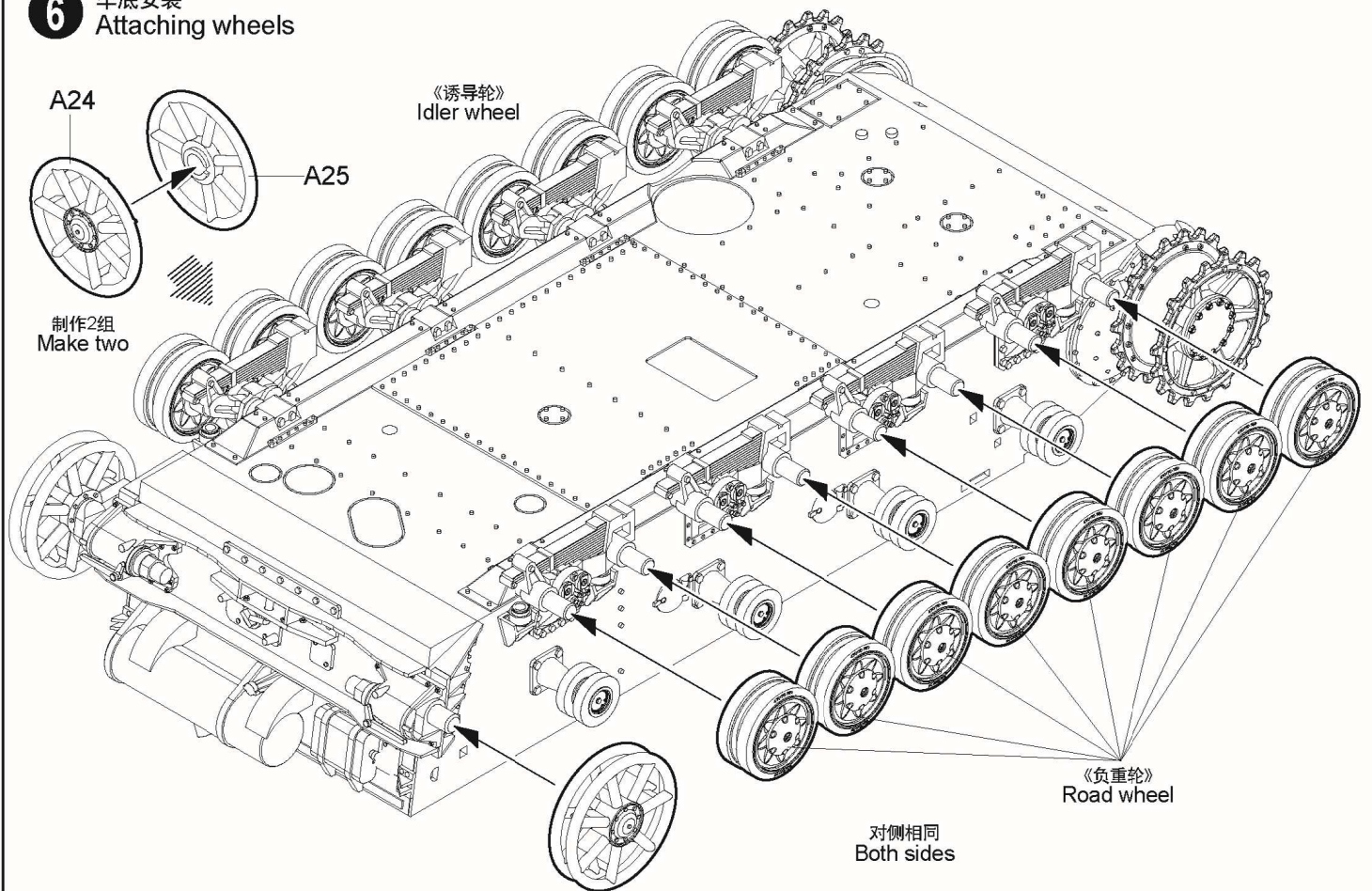


**5** 悬挂安装  
Suspension arms

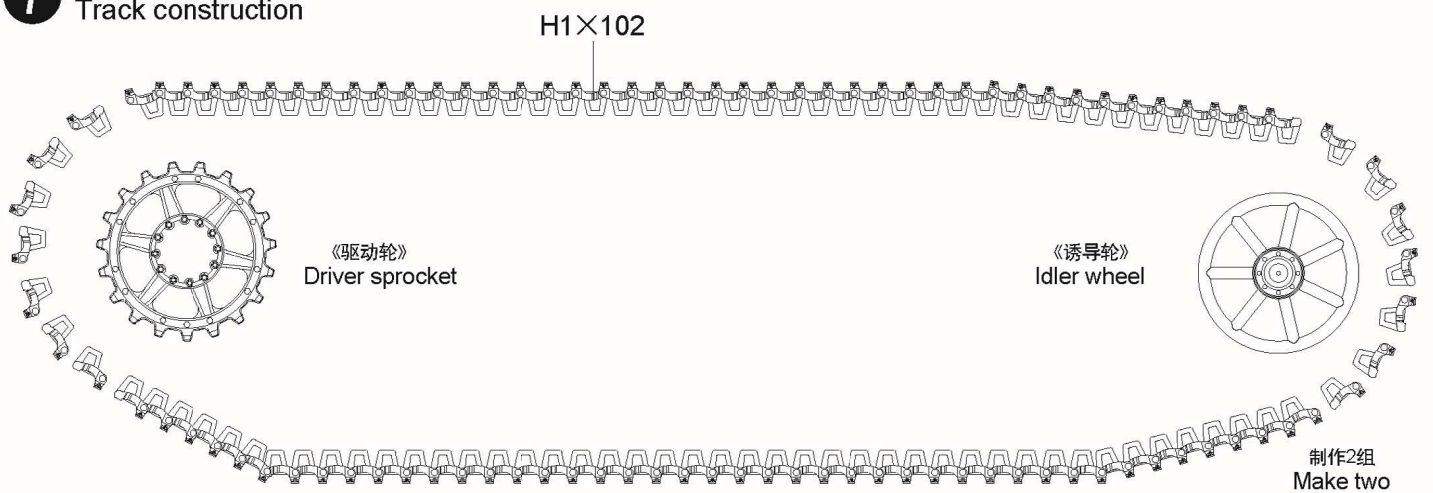




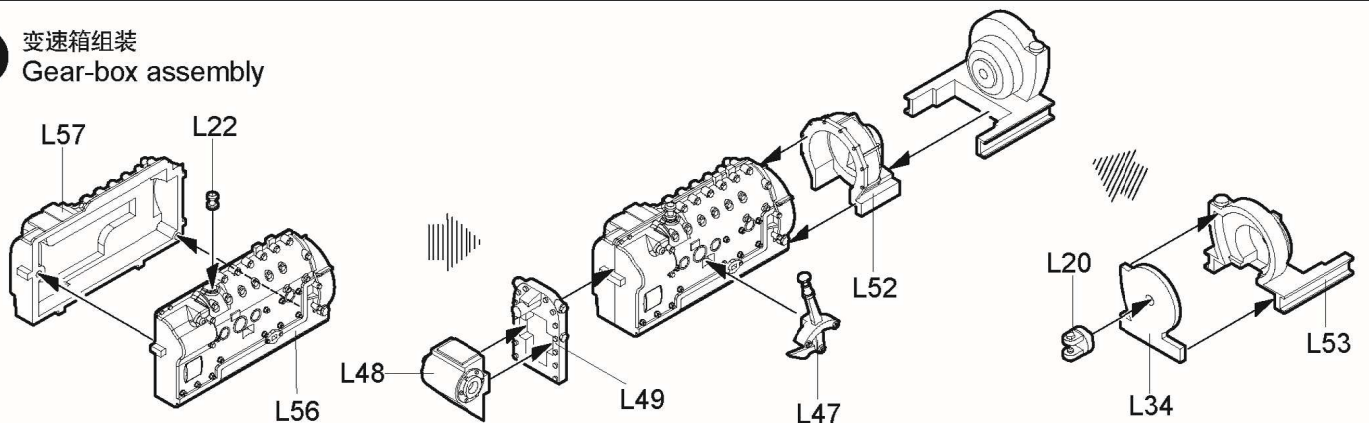
**6** 车底安装  
Attaching wheels



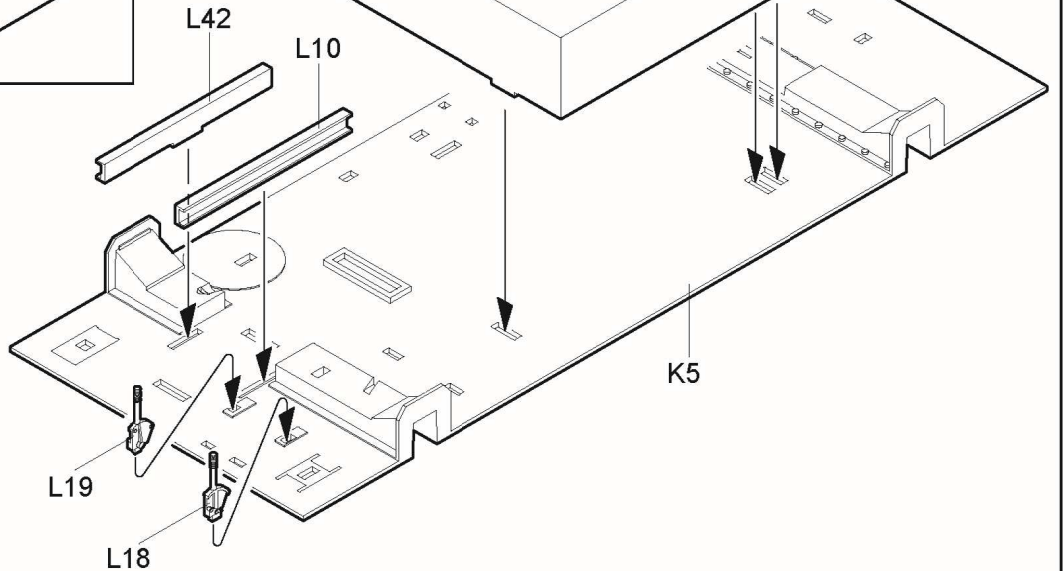
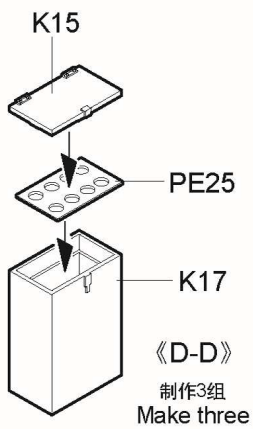
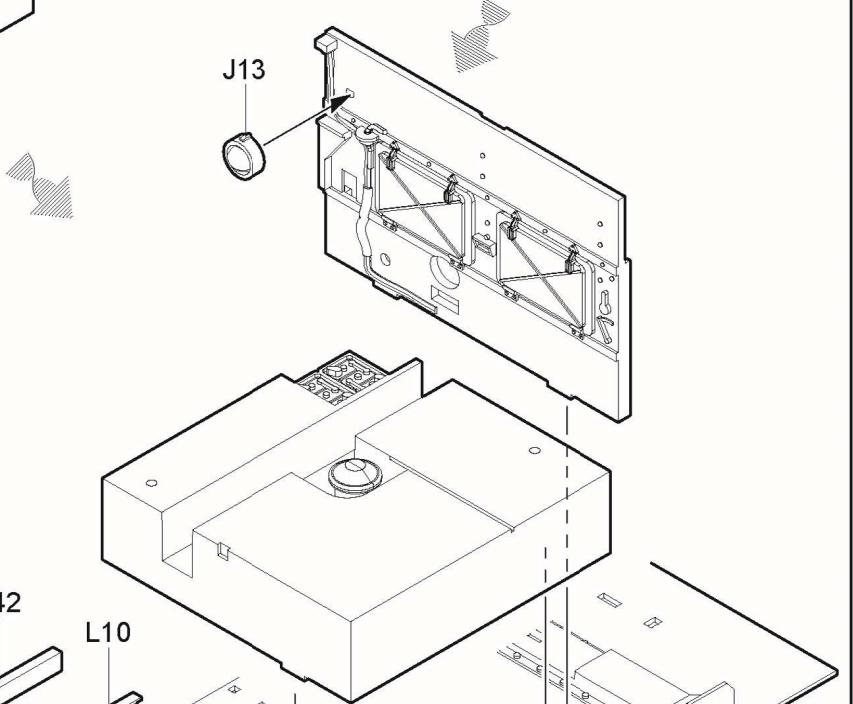
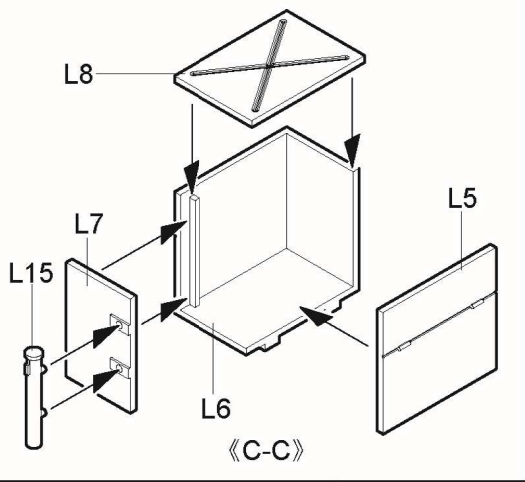
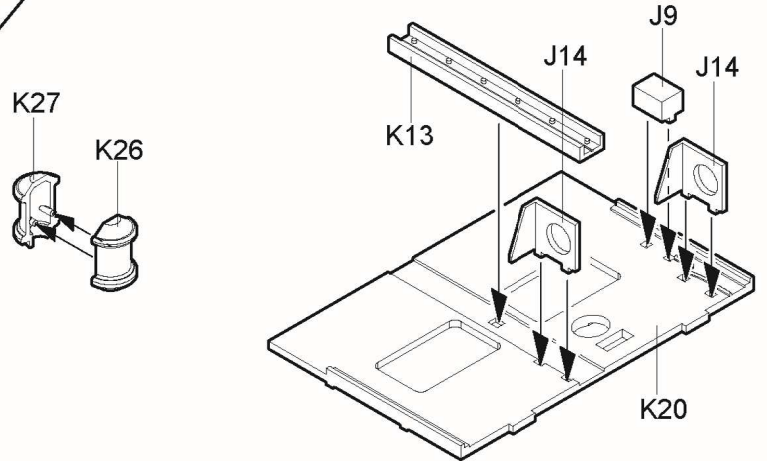
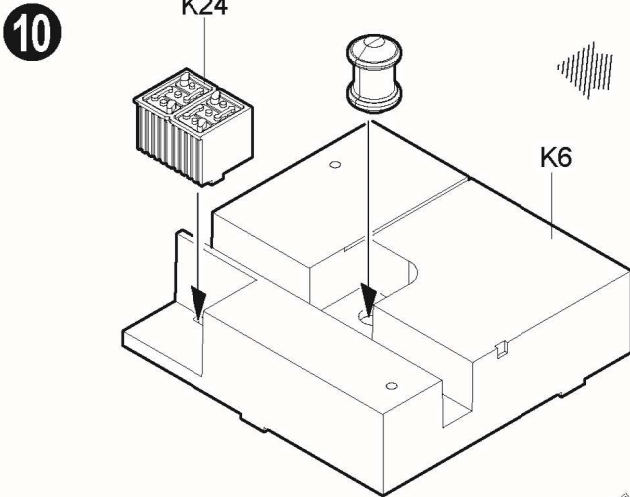
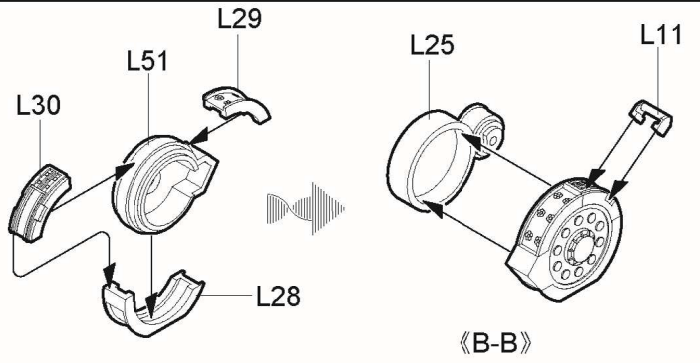
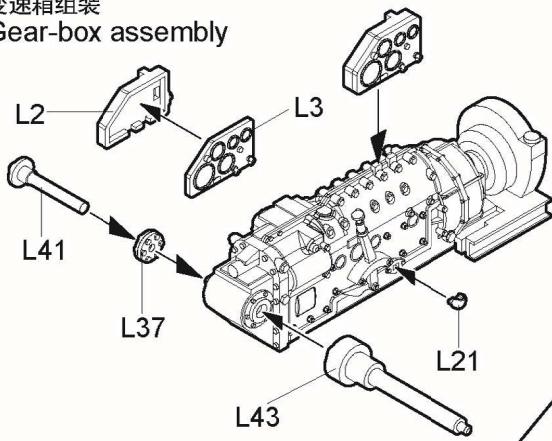
**7** 履带联接  
Track construction



**8** 变速箱组装  
Gear-box assembly



**9** 变速箱组装  
Gear-box assembly

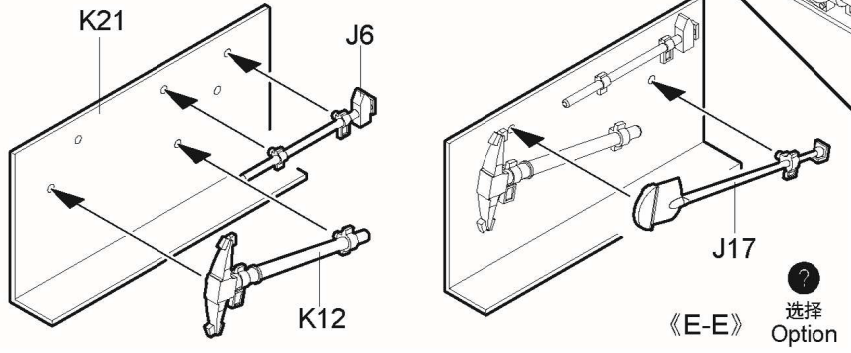
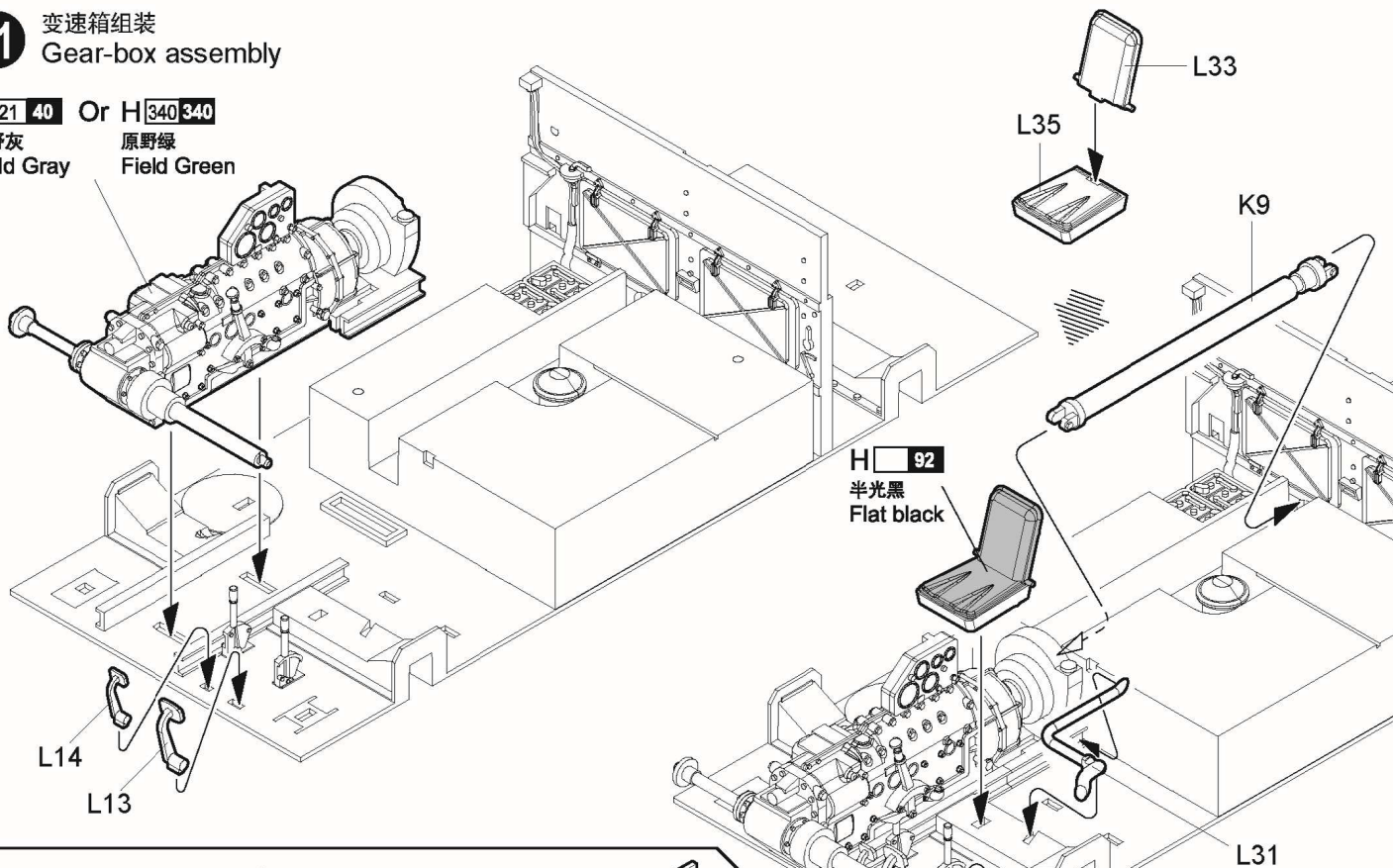




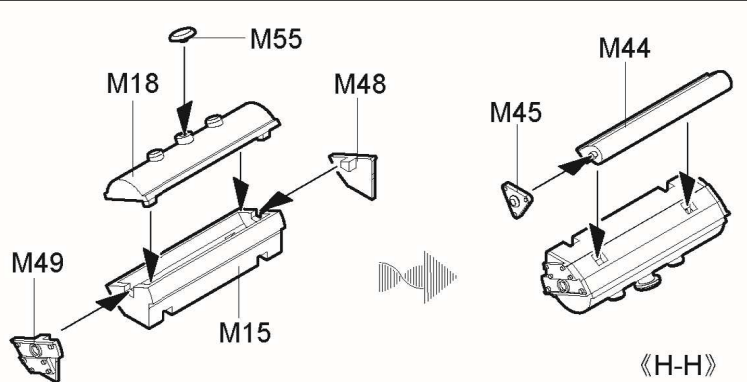
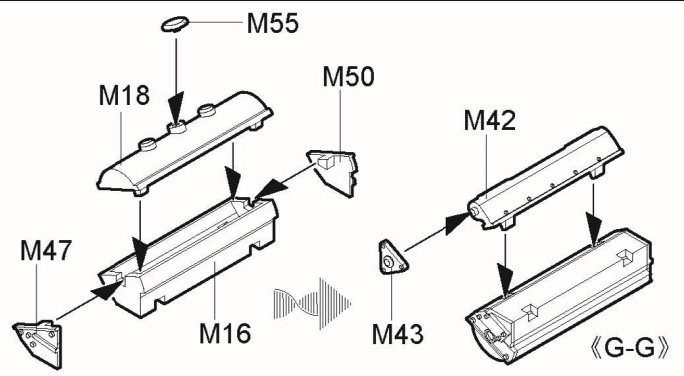
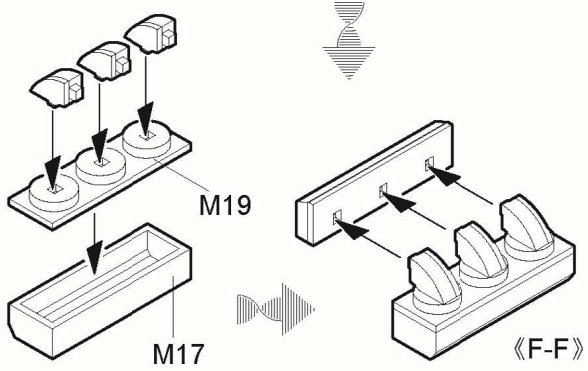
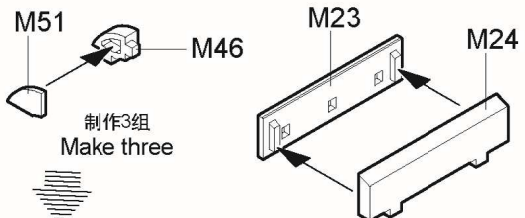
**11** 变速箱组装  
Gear-box assembly

H 21 40 Or H 340 340

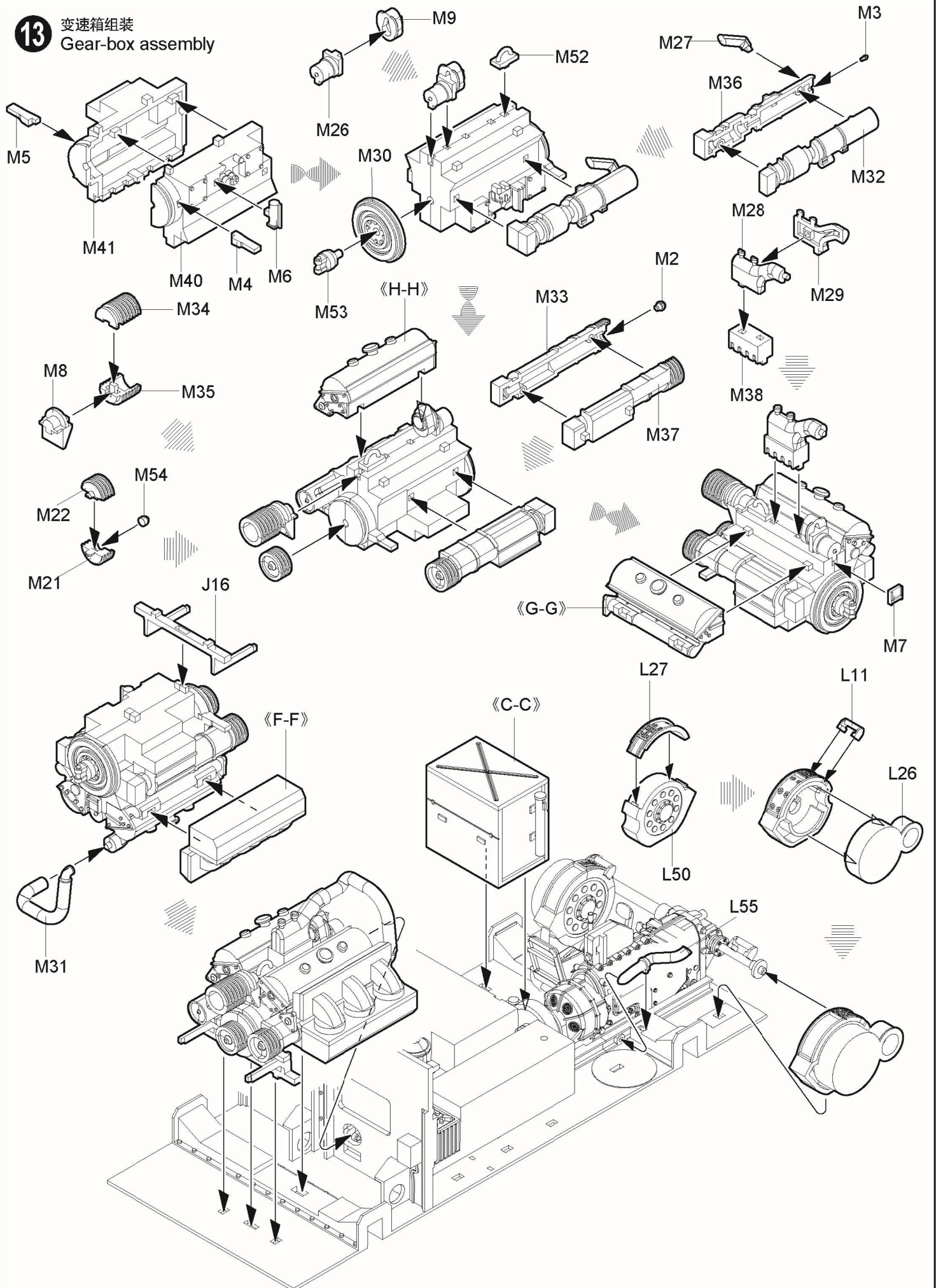
原野灰 Field Gray  
原野绿 Field Green



**12** 变速箱组装  
Gear-box assembly

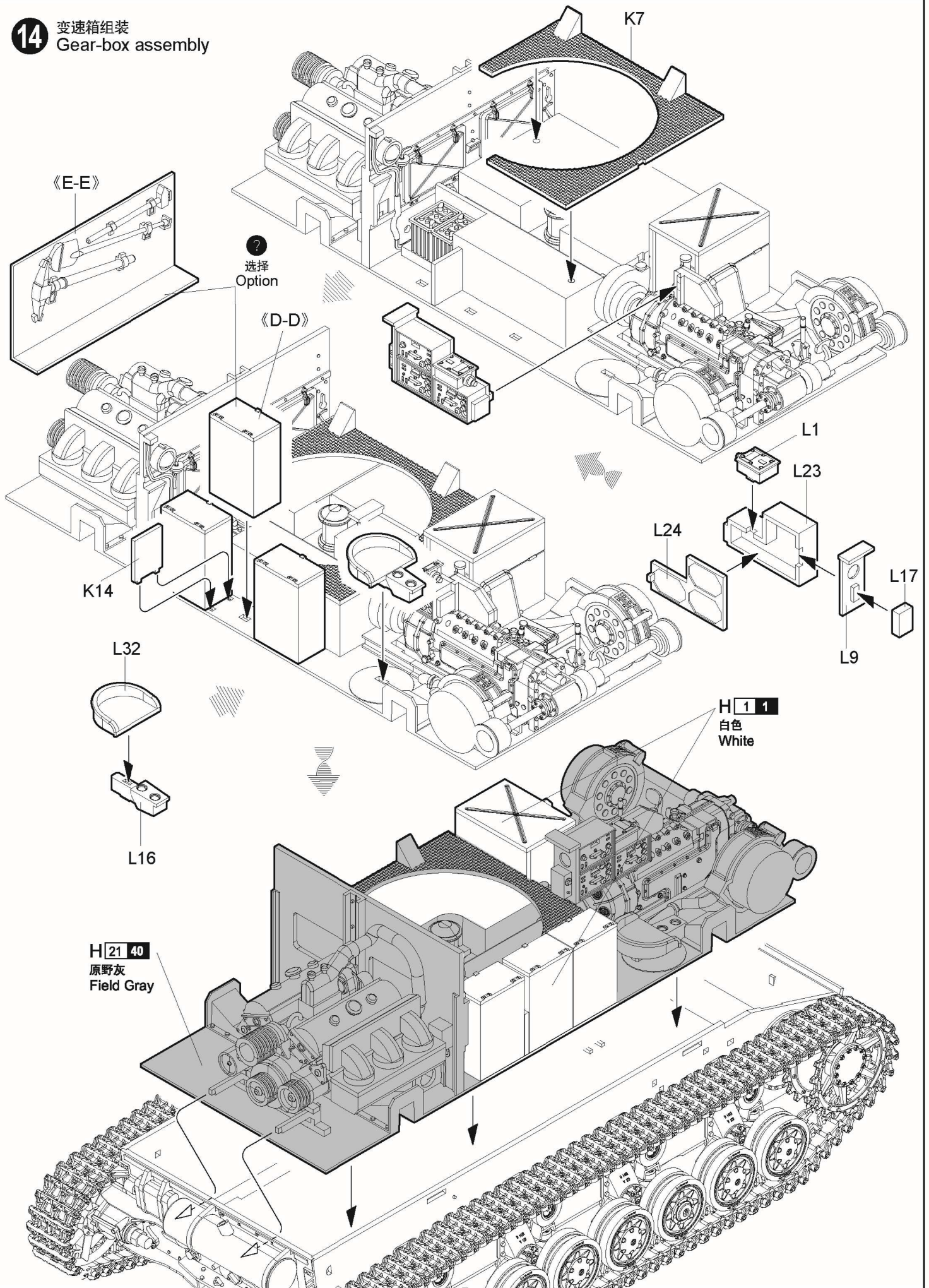


**13** 变速箱组装  
Gear-box assembly



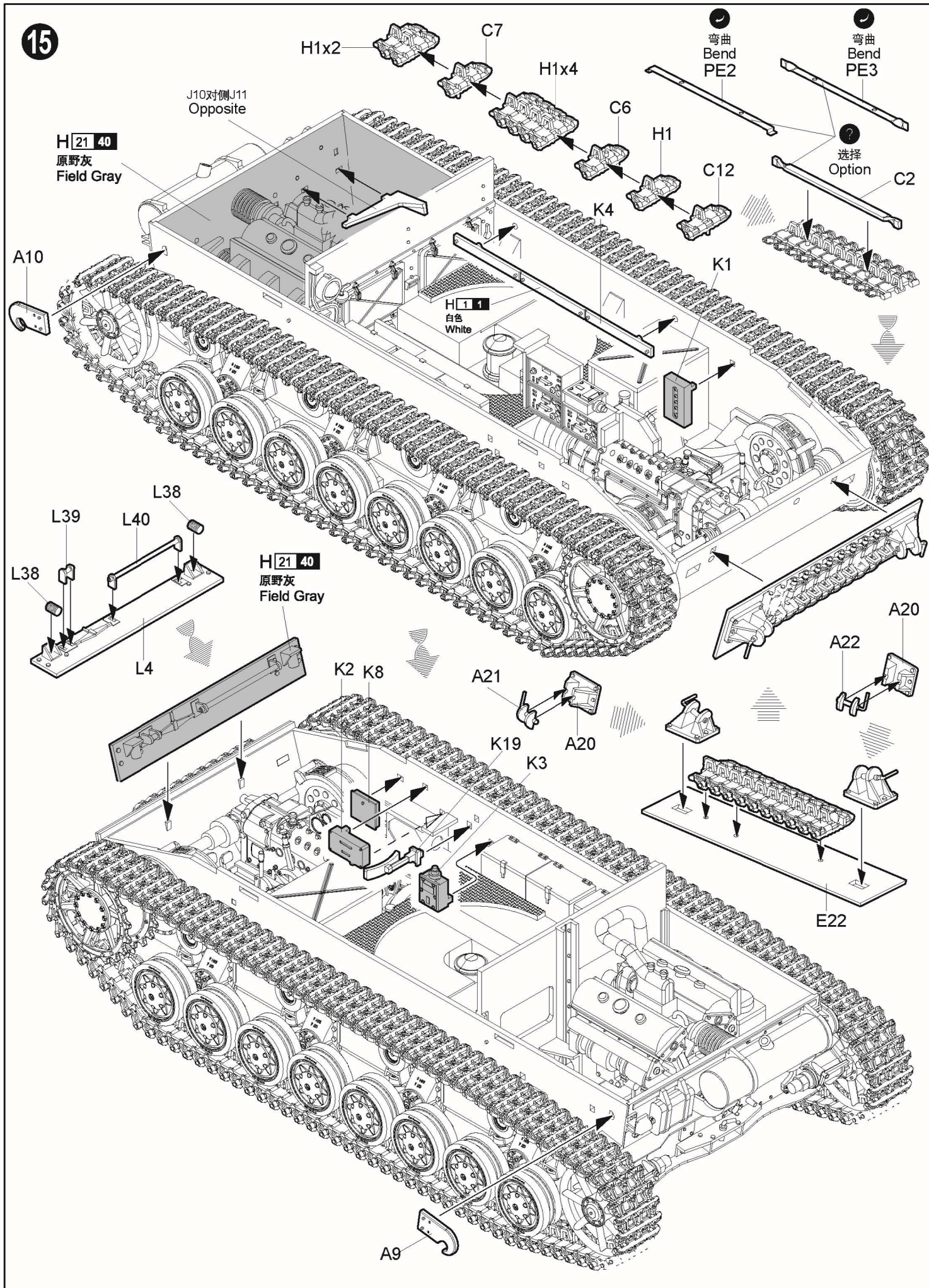


**14** 变速箱组装  
Gear-box assembly



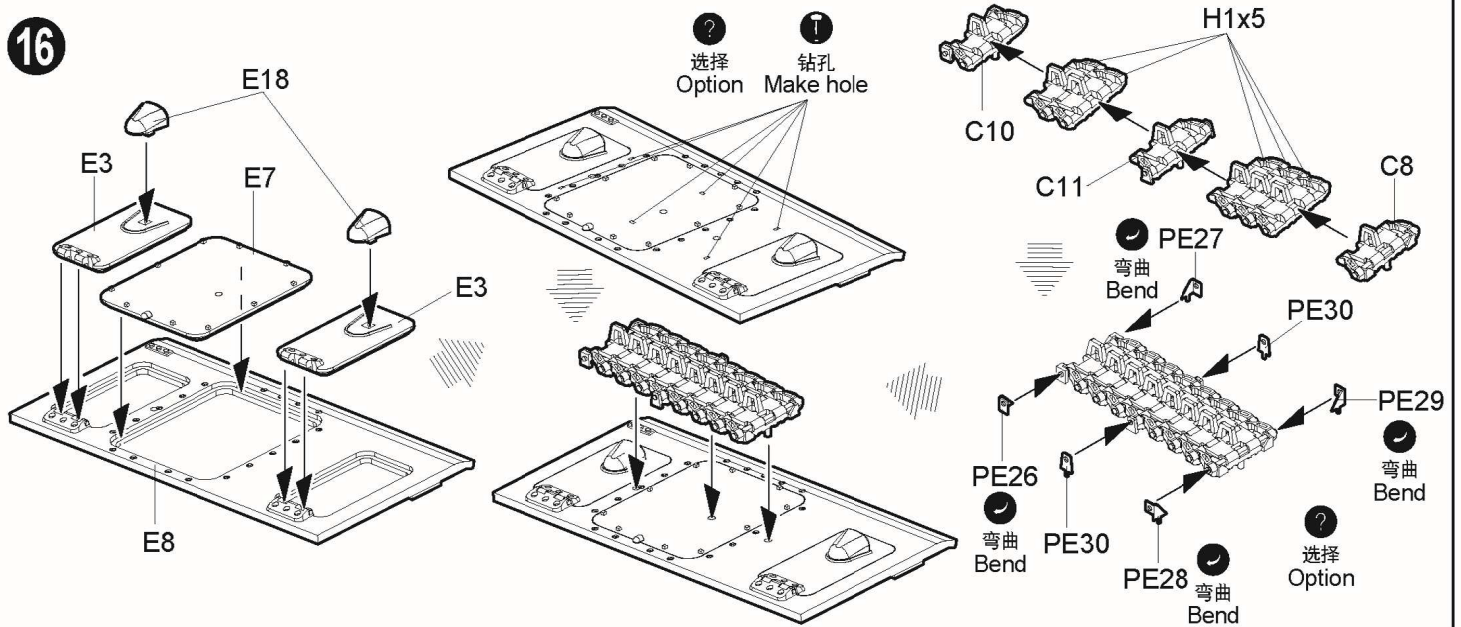


15

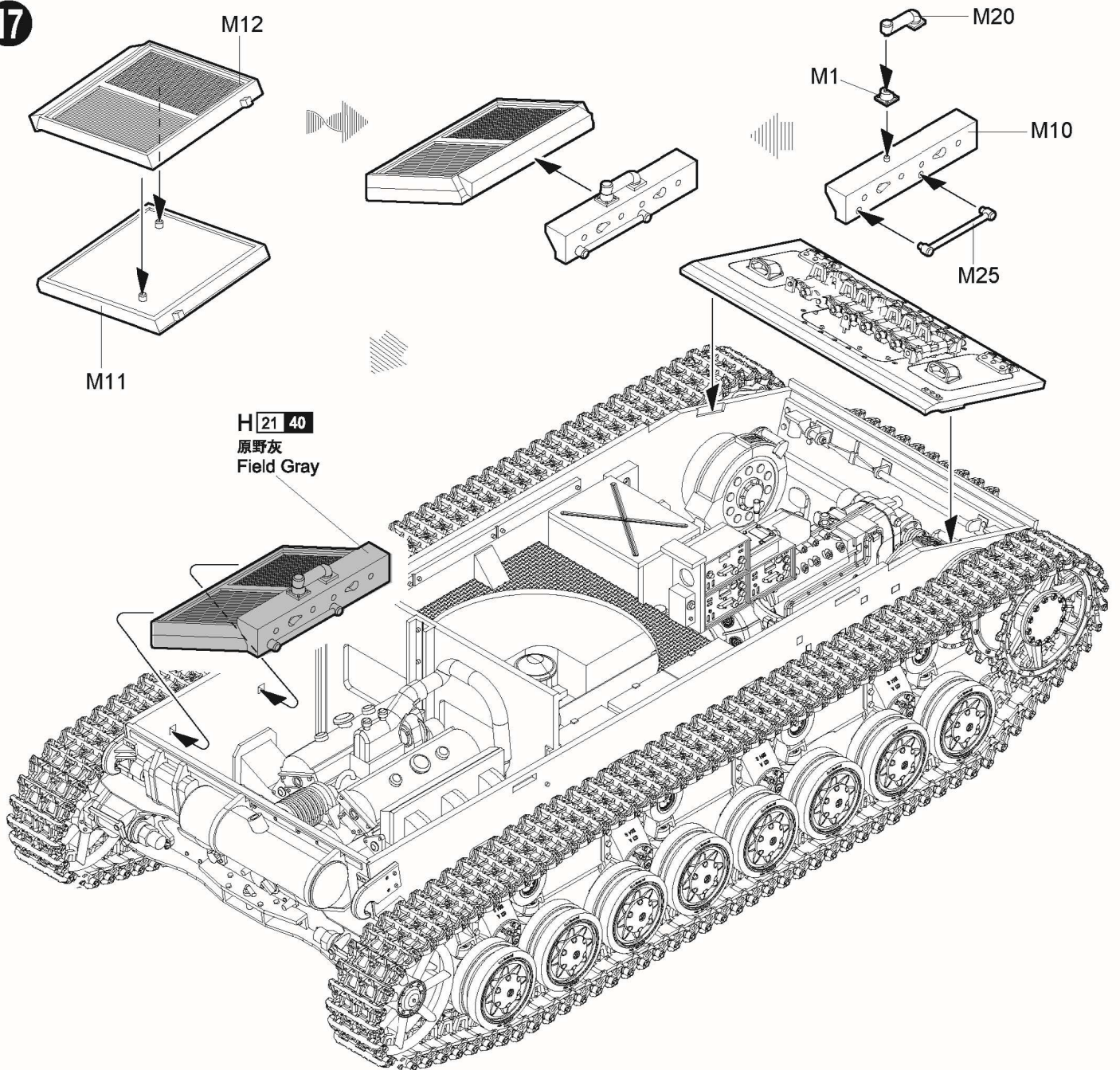




16

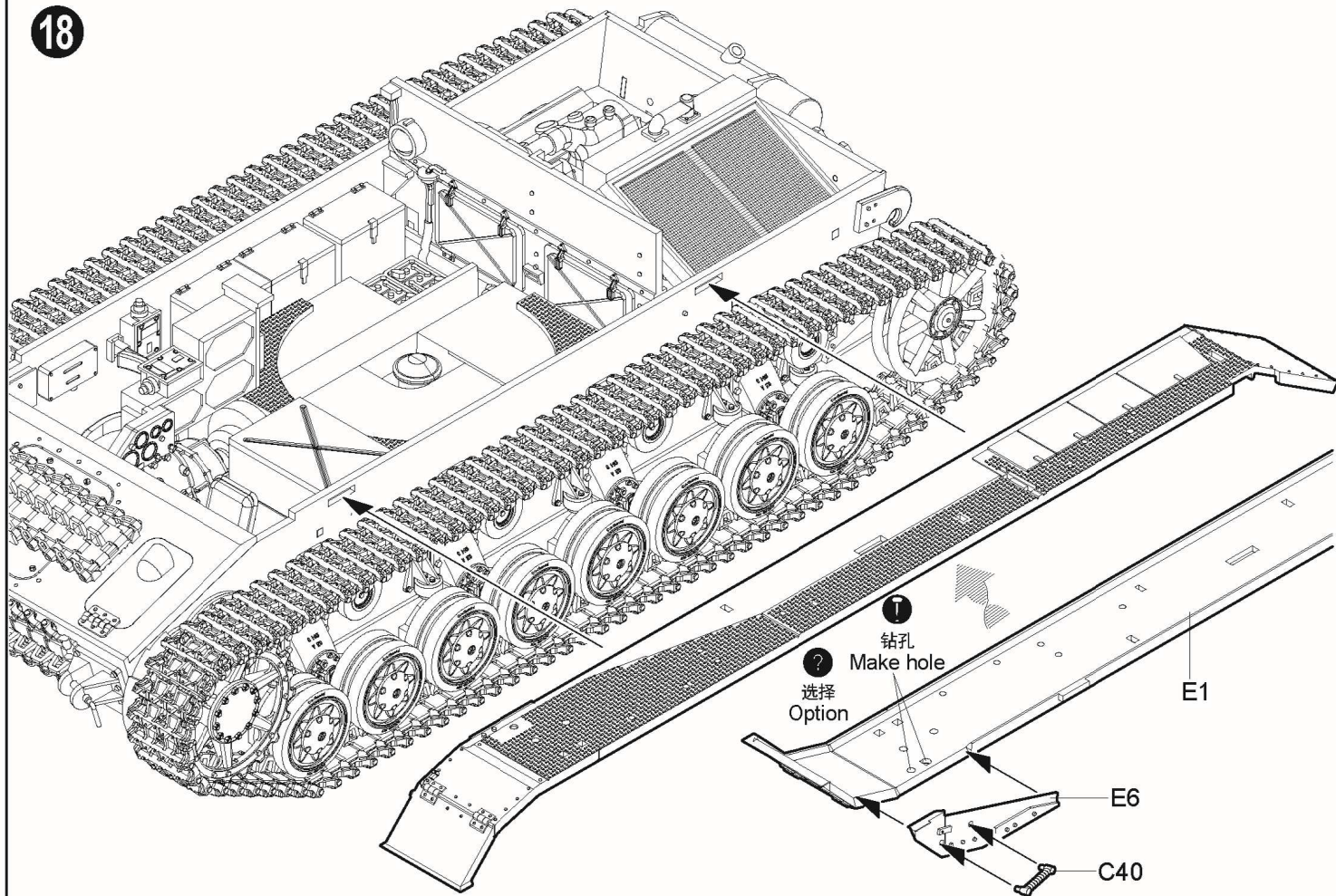


17

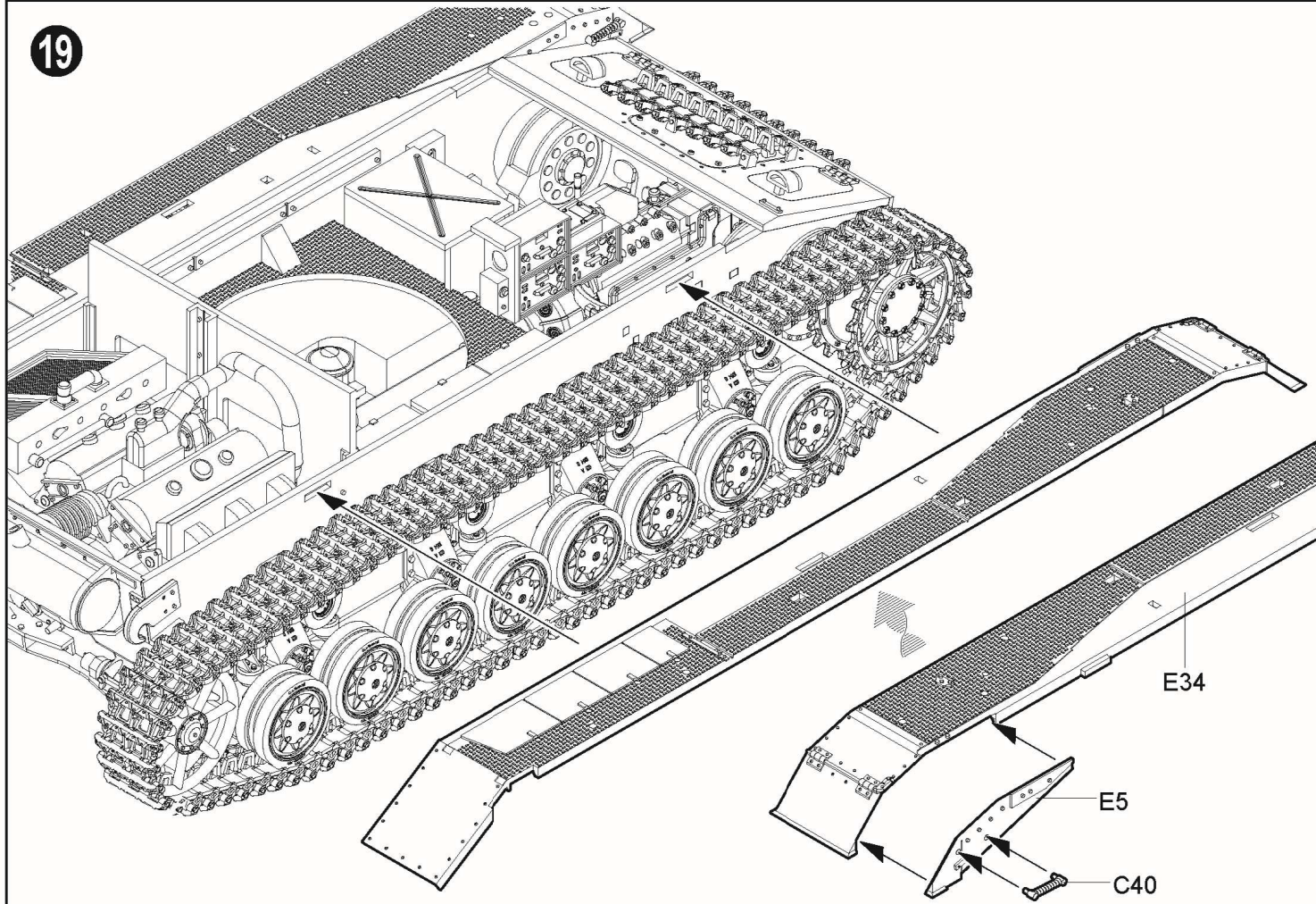




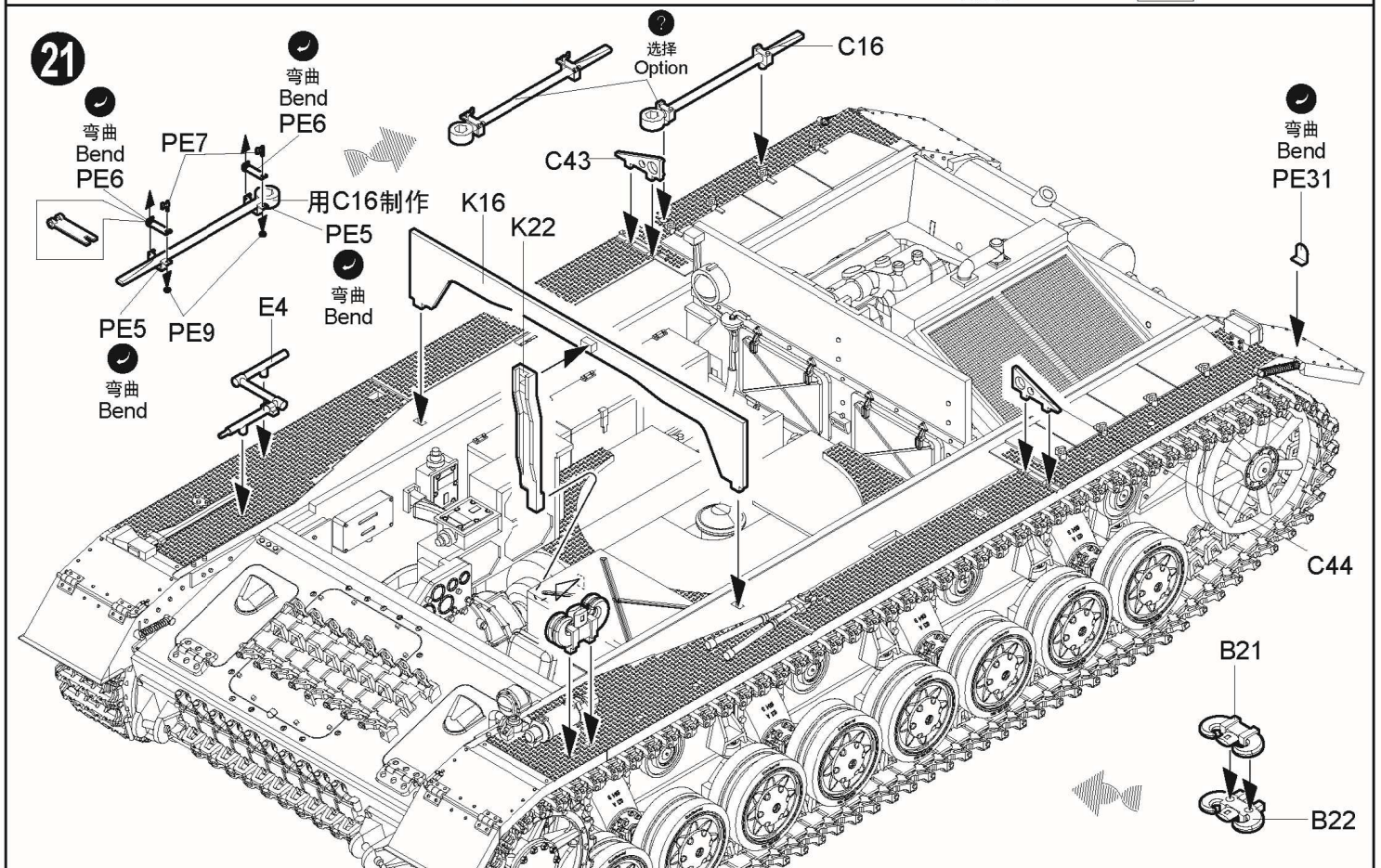
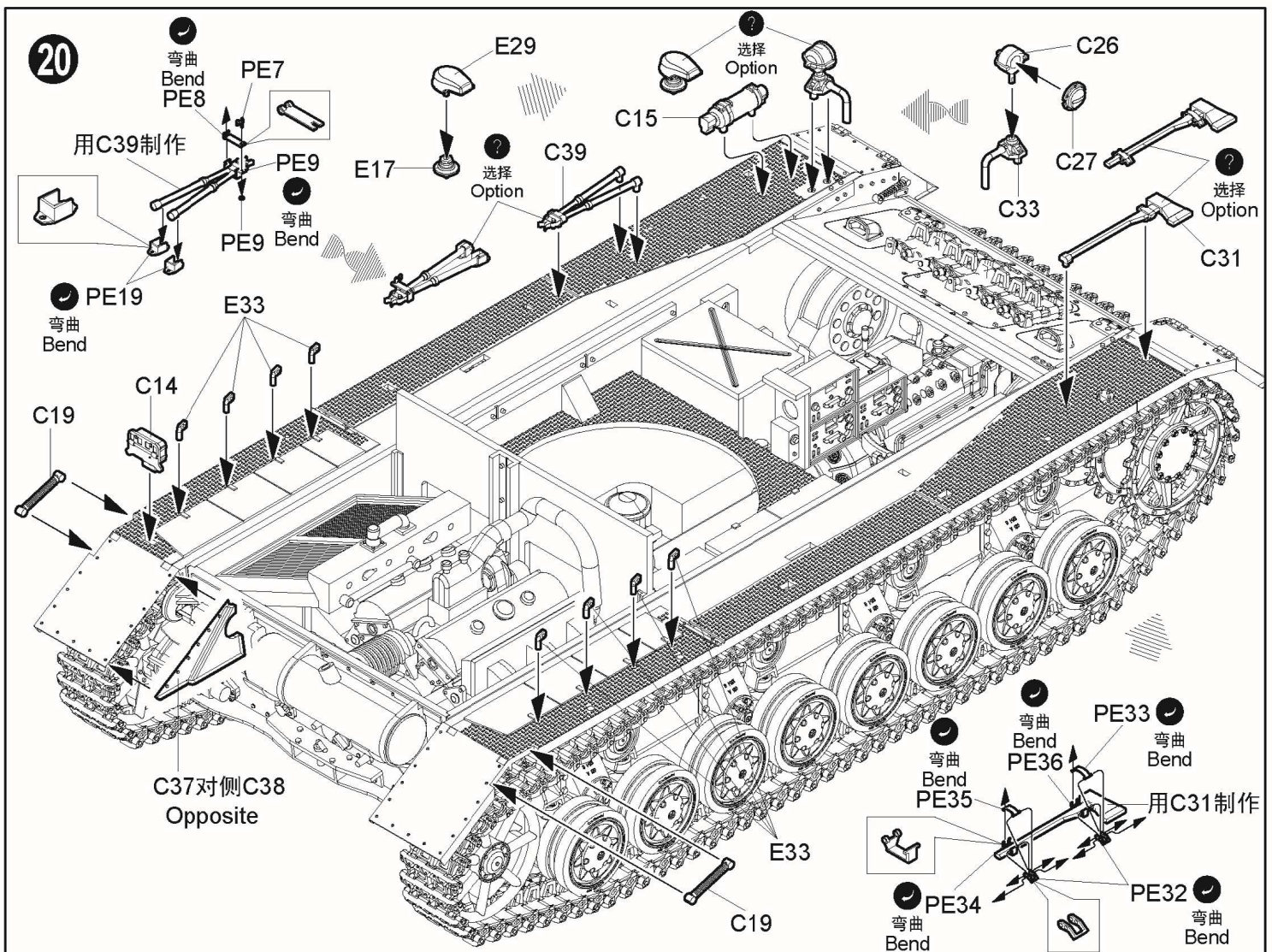
18



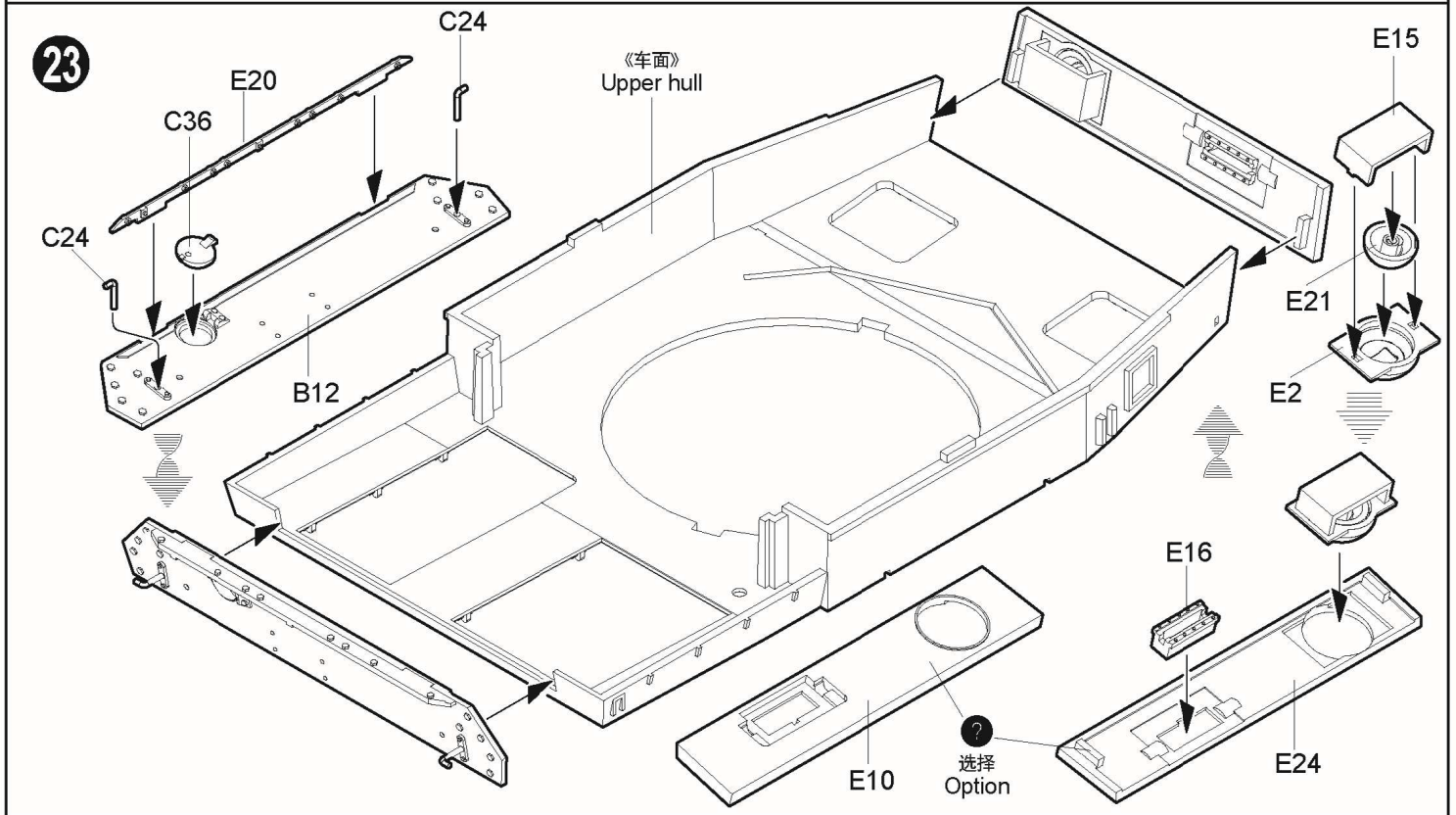
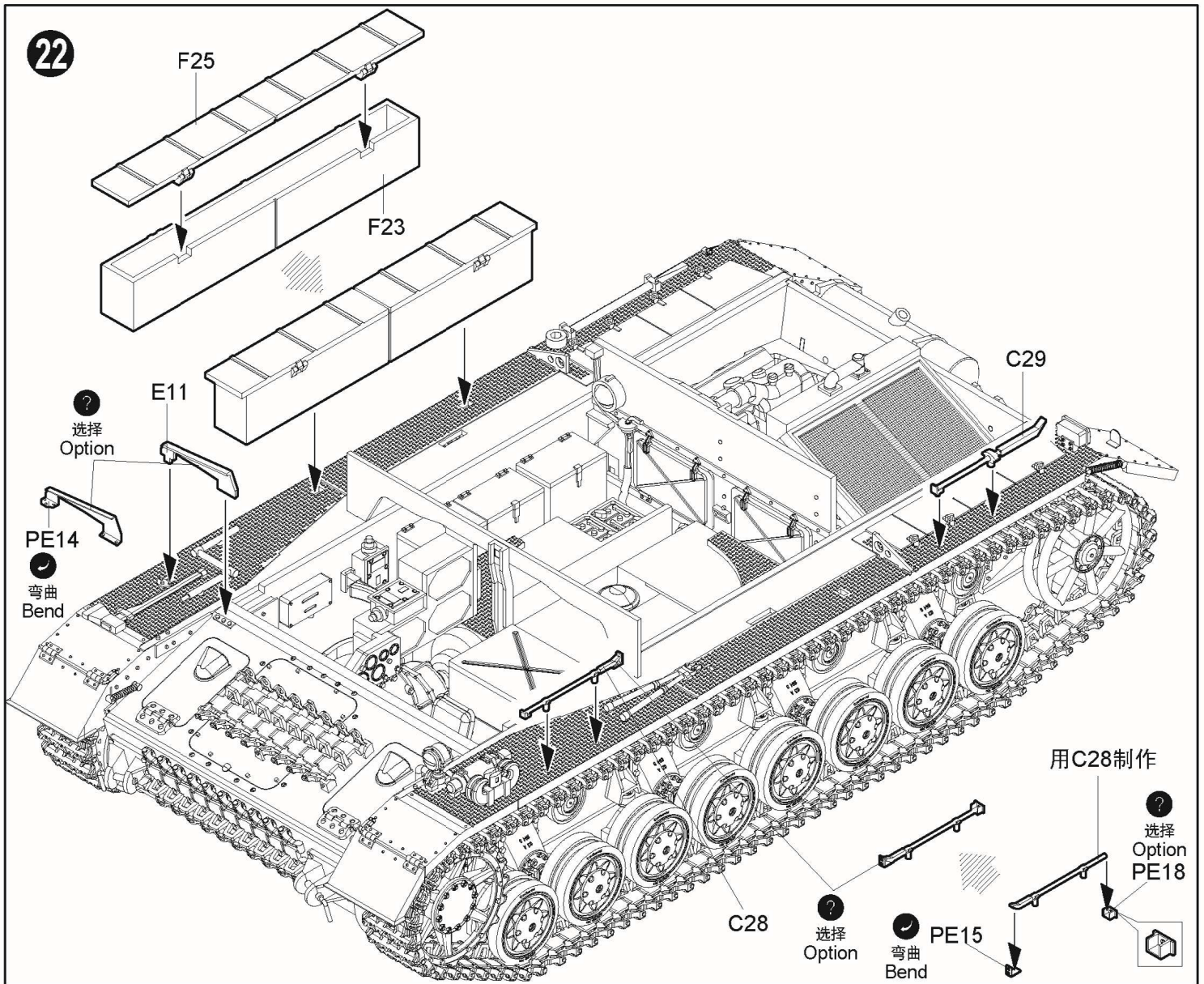
19





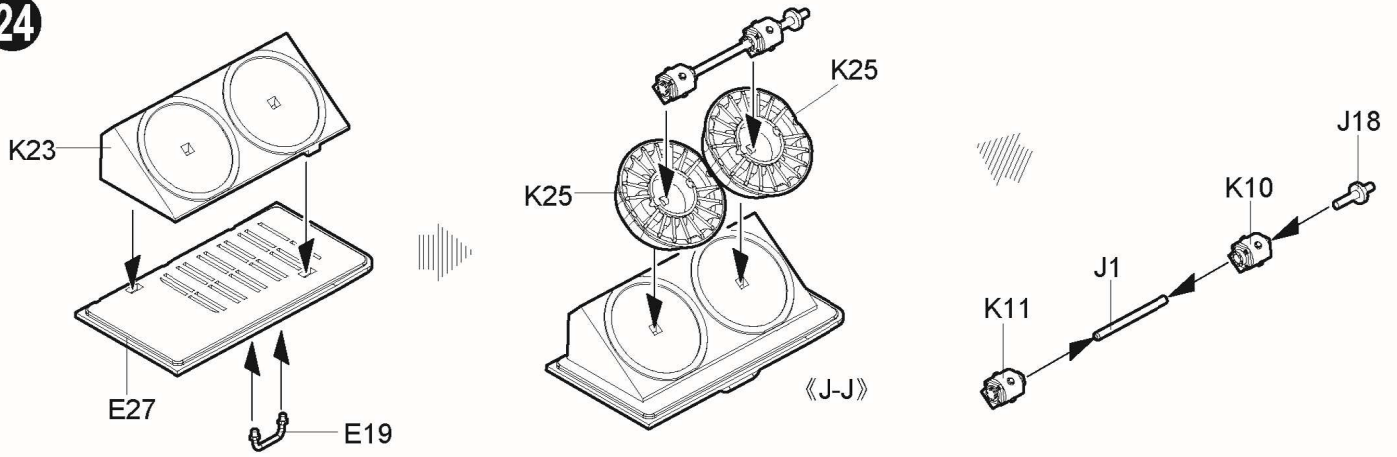




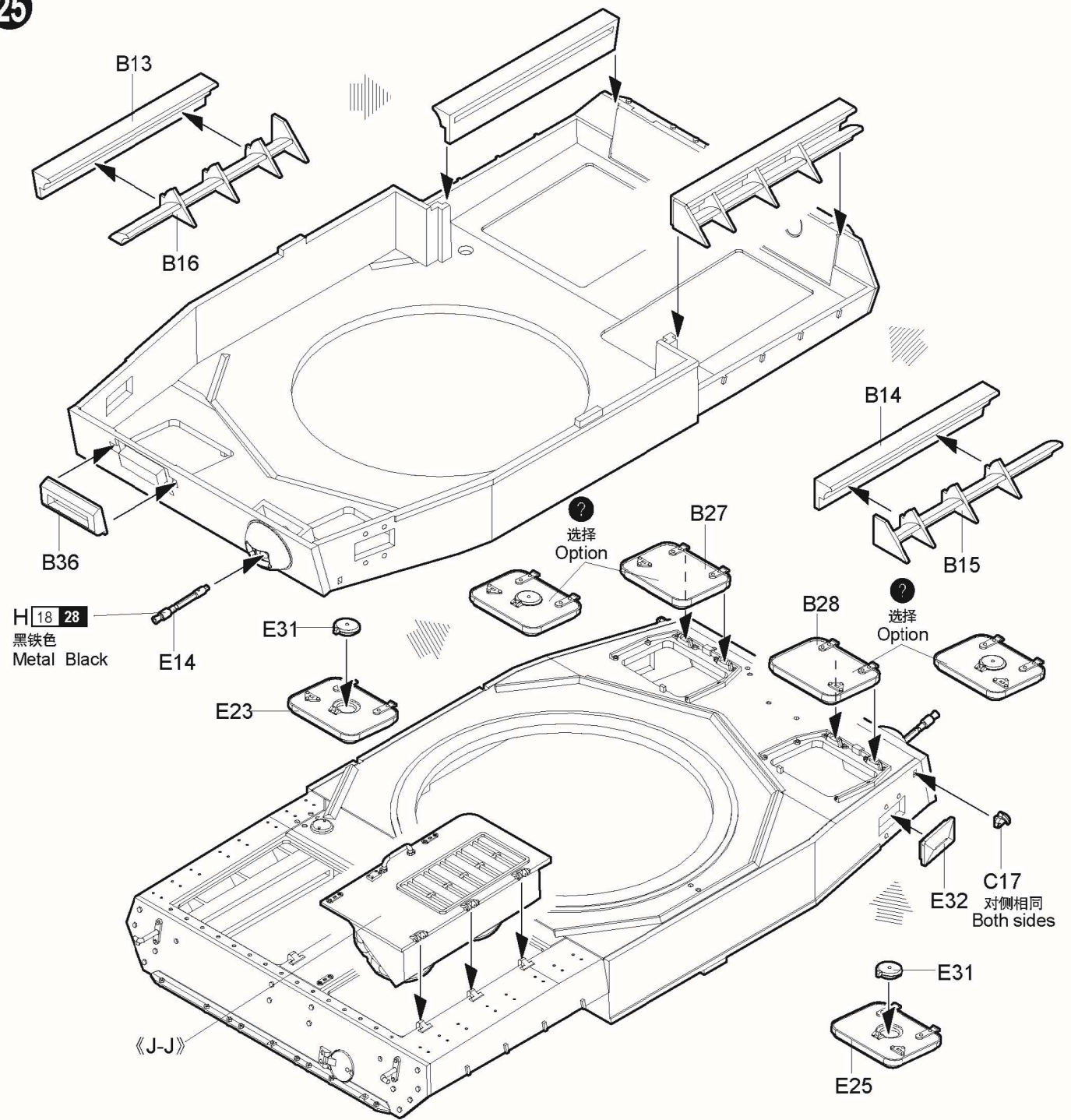




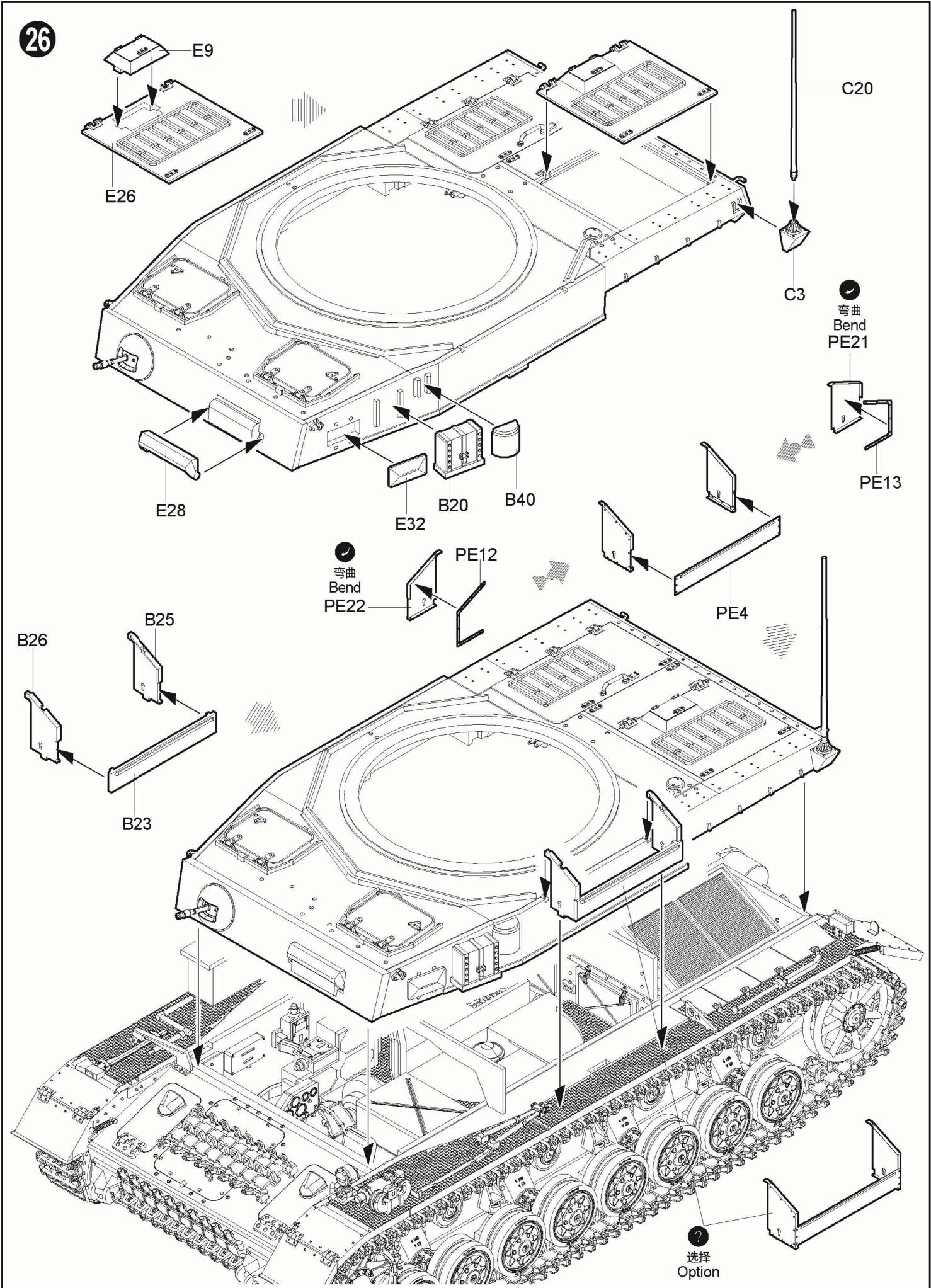
24



25

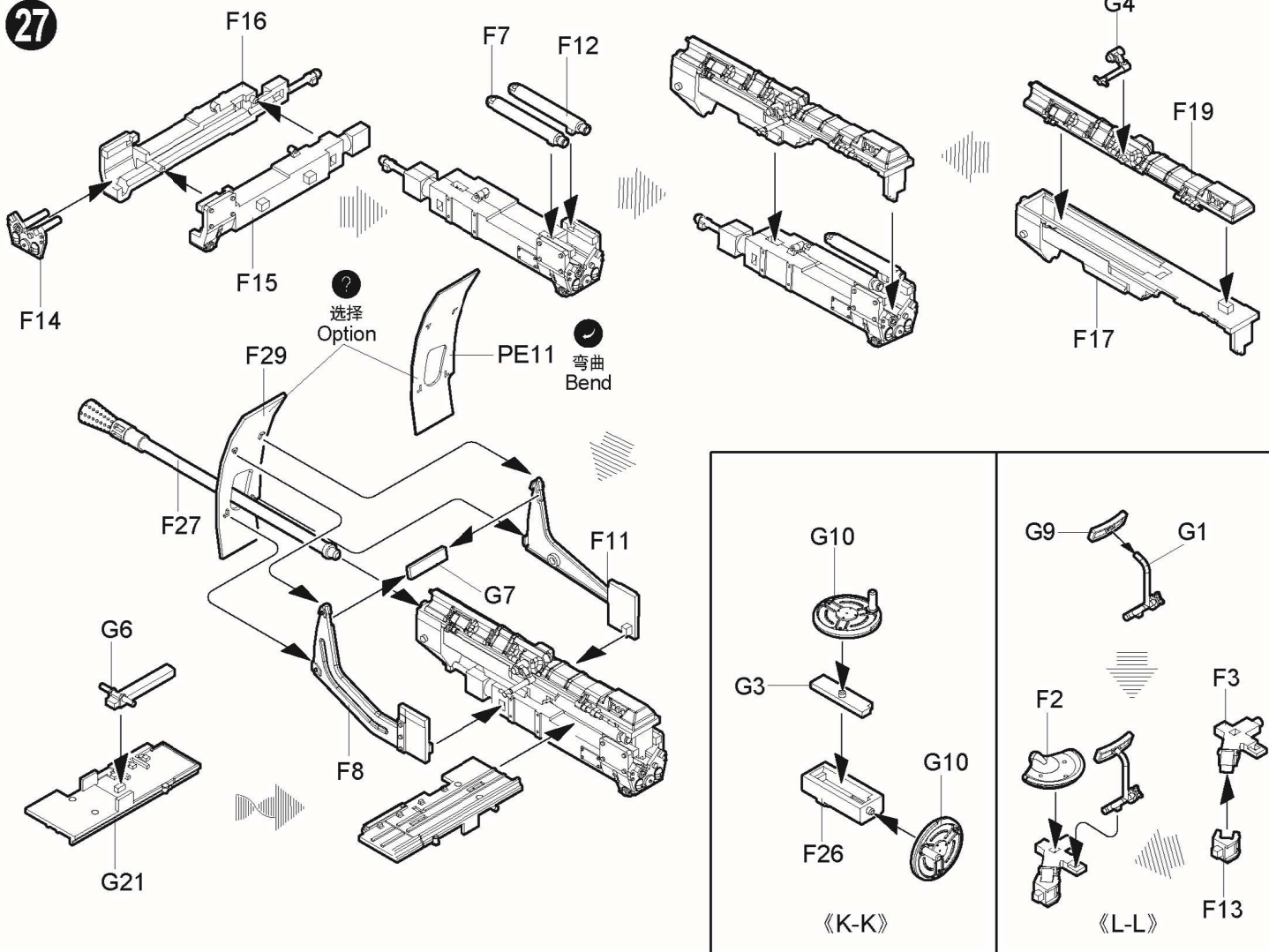


26

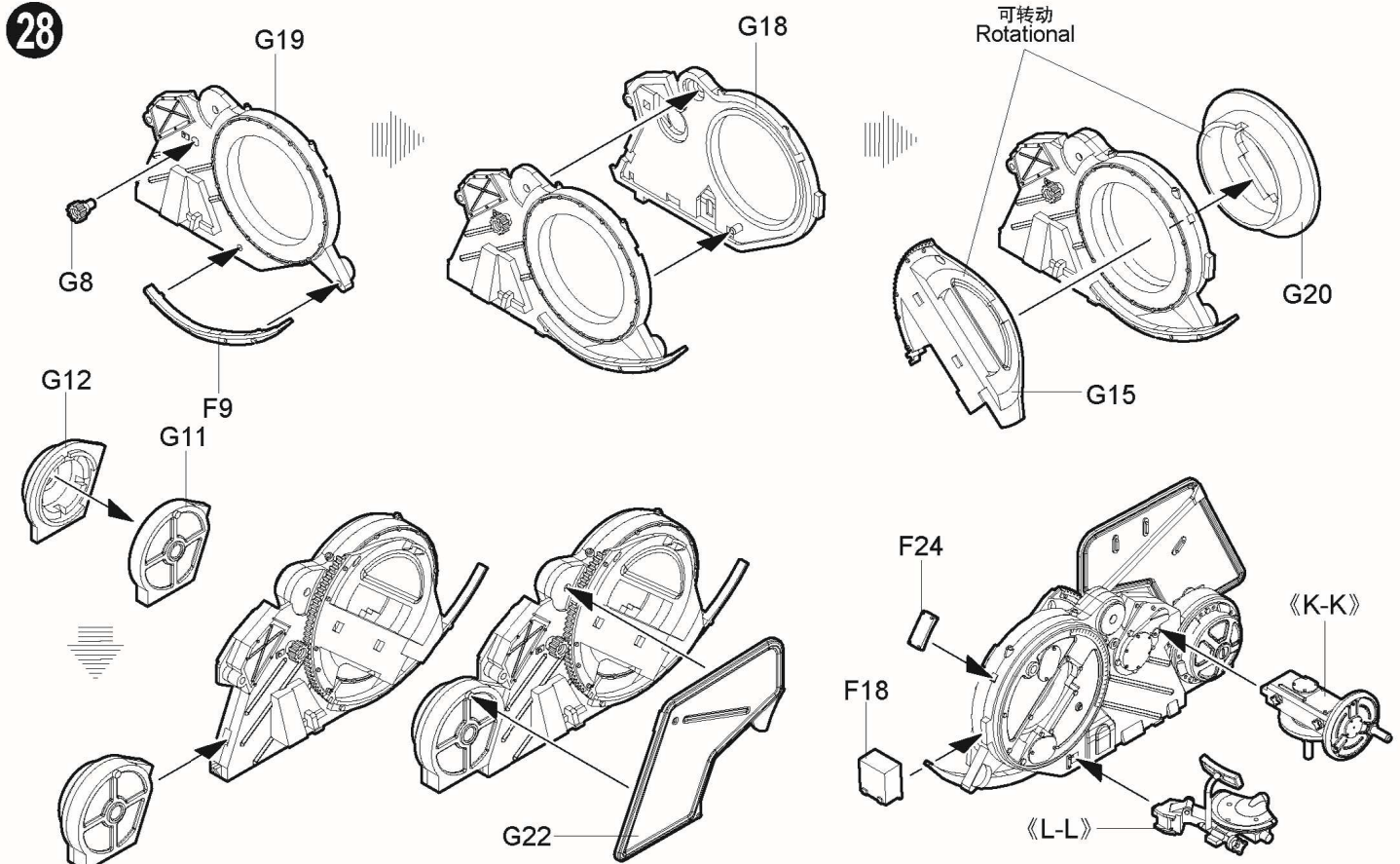




27

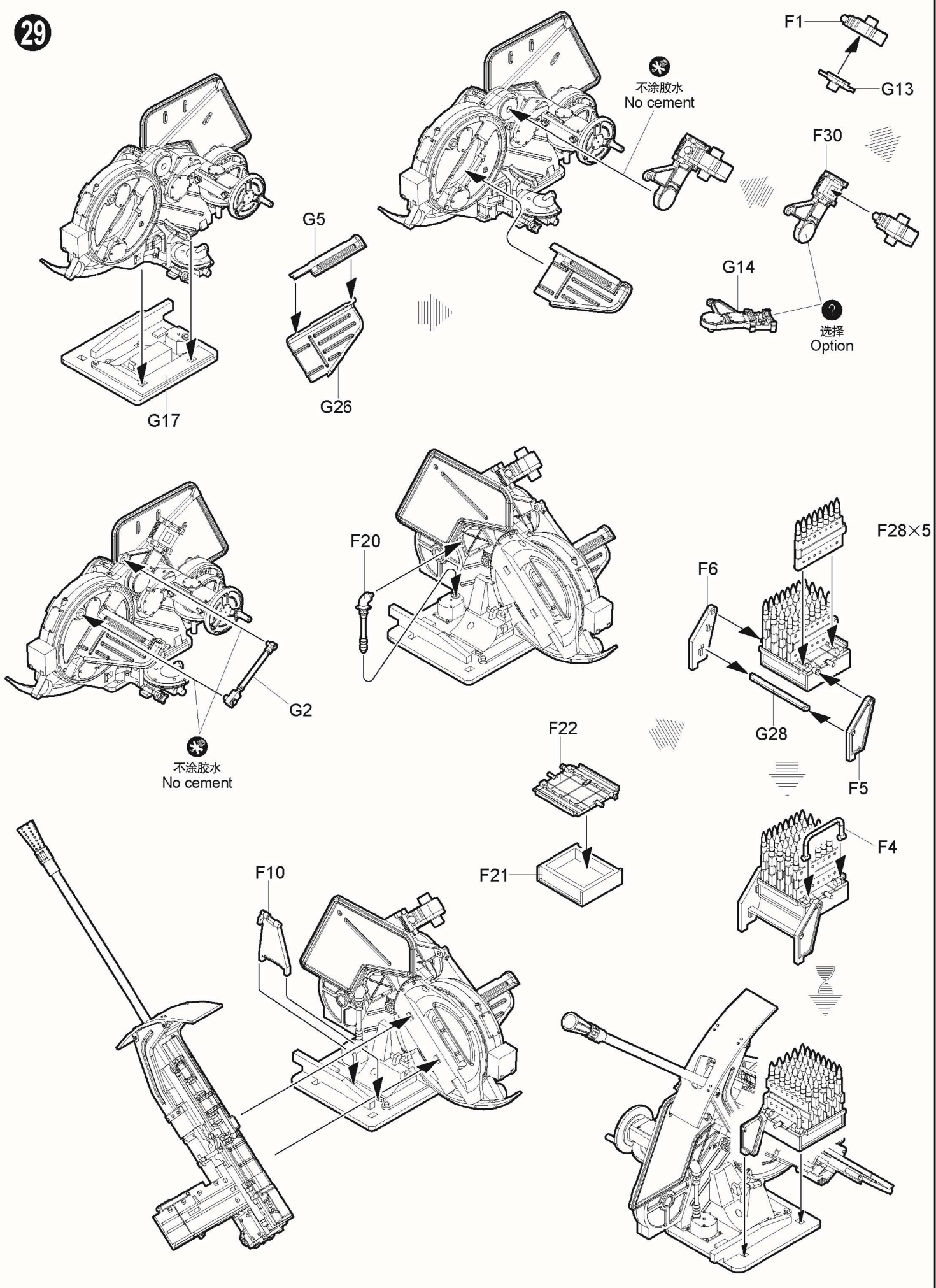


28



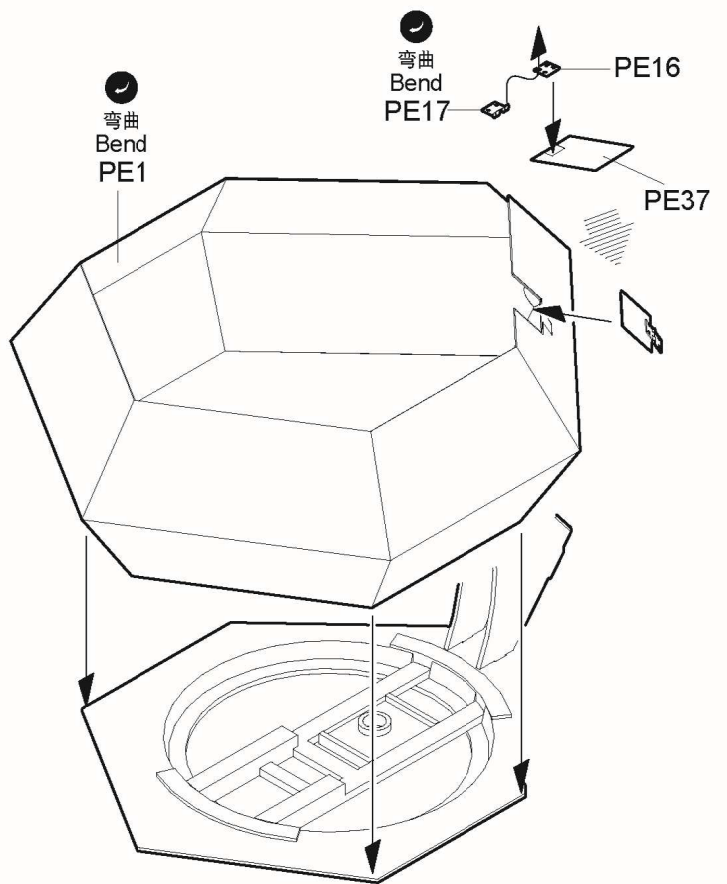
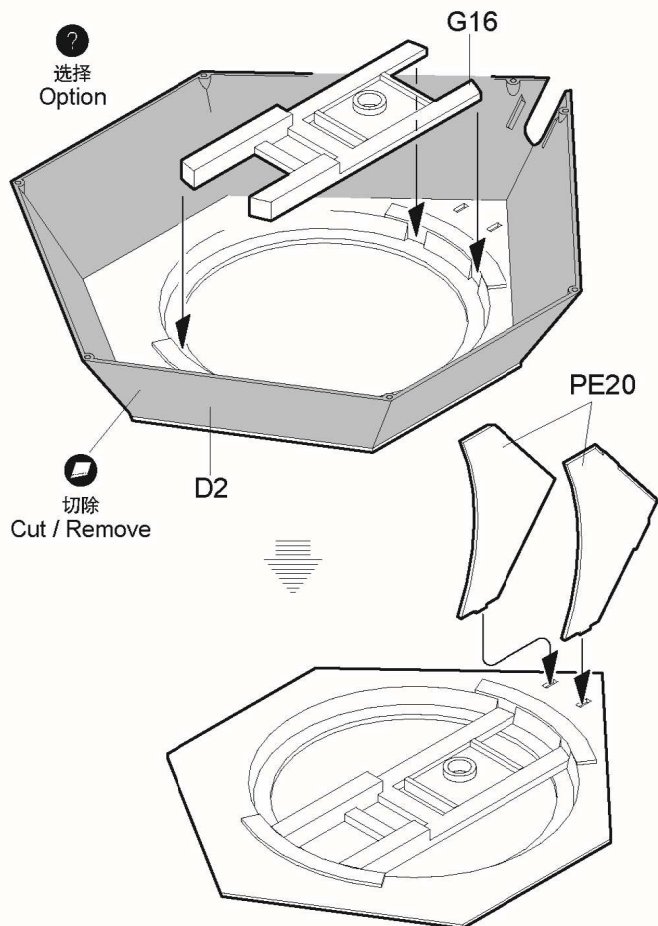
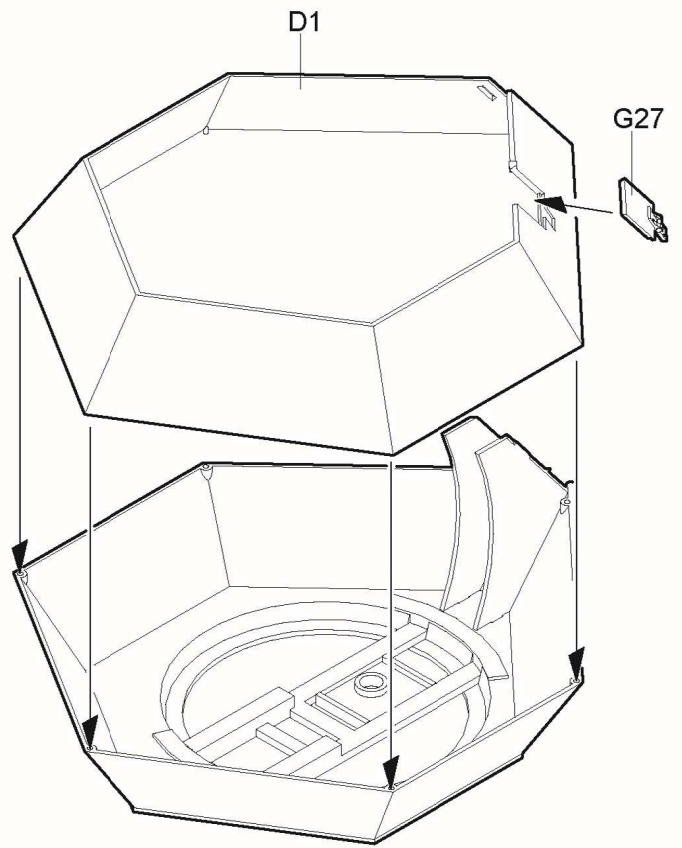
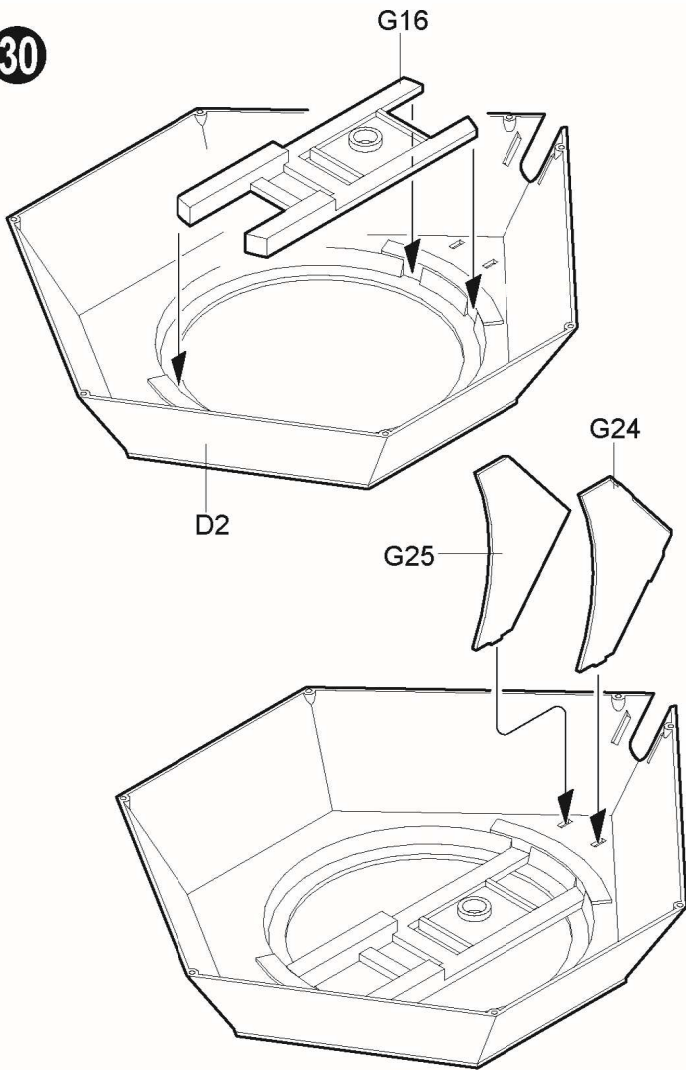


29





30



31

H 10 10  
铜色  
Copper

H 18 28  
黑铁色  
Metal Black

H 79 39  
砂黄色  
Sandy Brown

A17

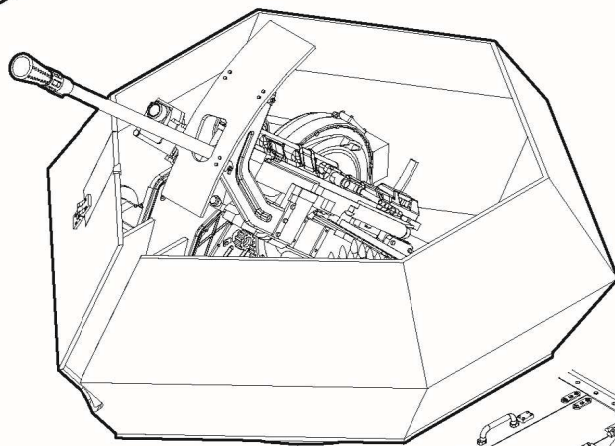
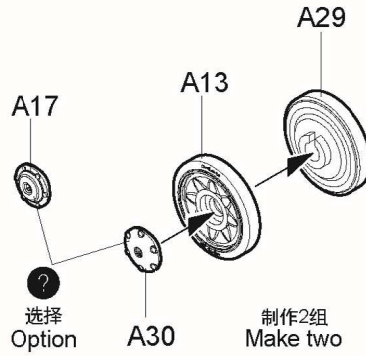
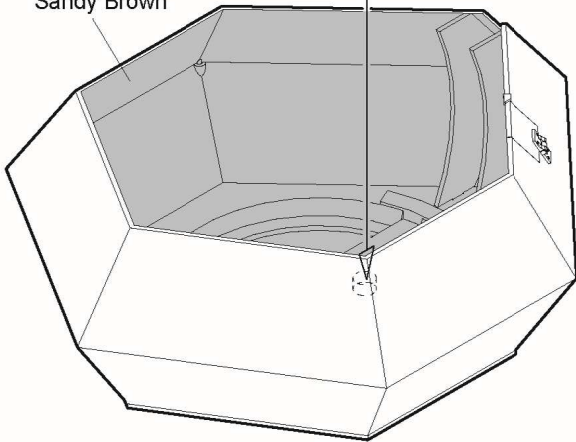
A13

A29

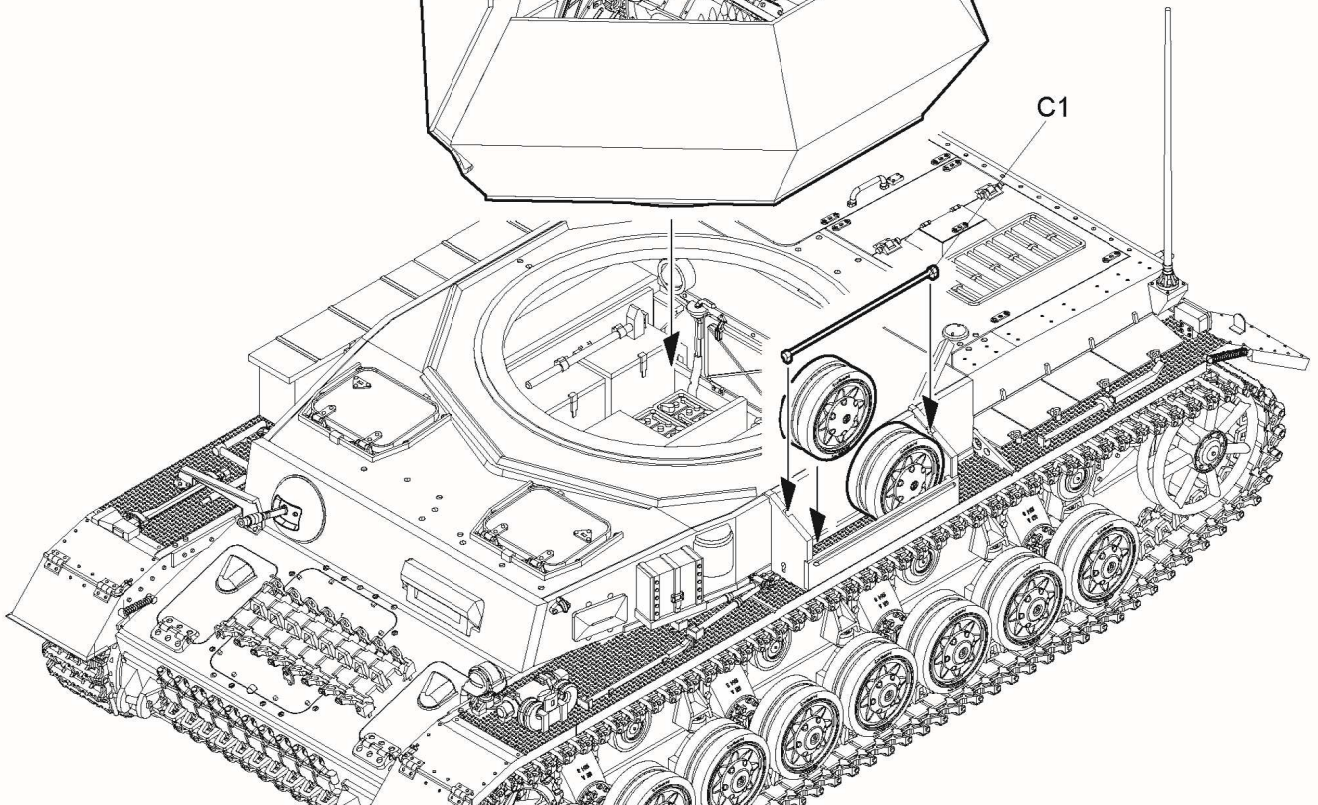
选择  
Option

A30

制作2组  
Make two



C1

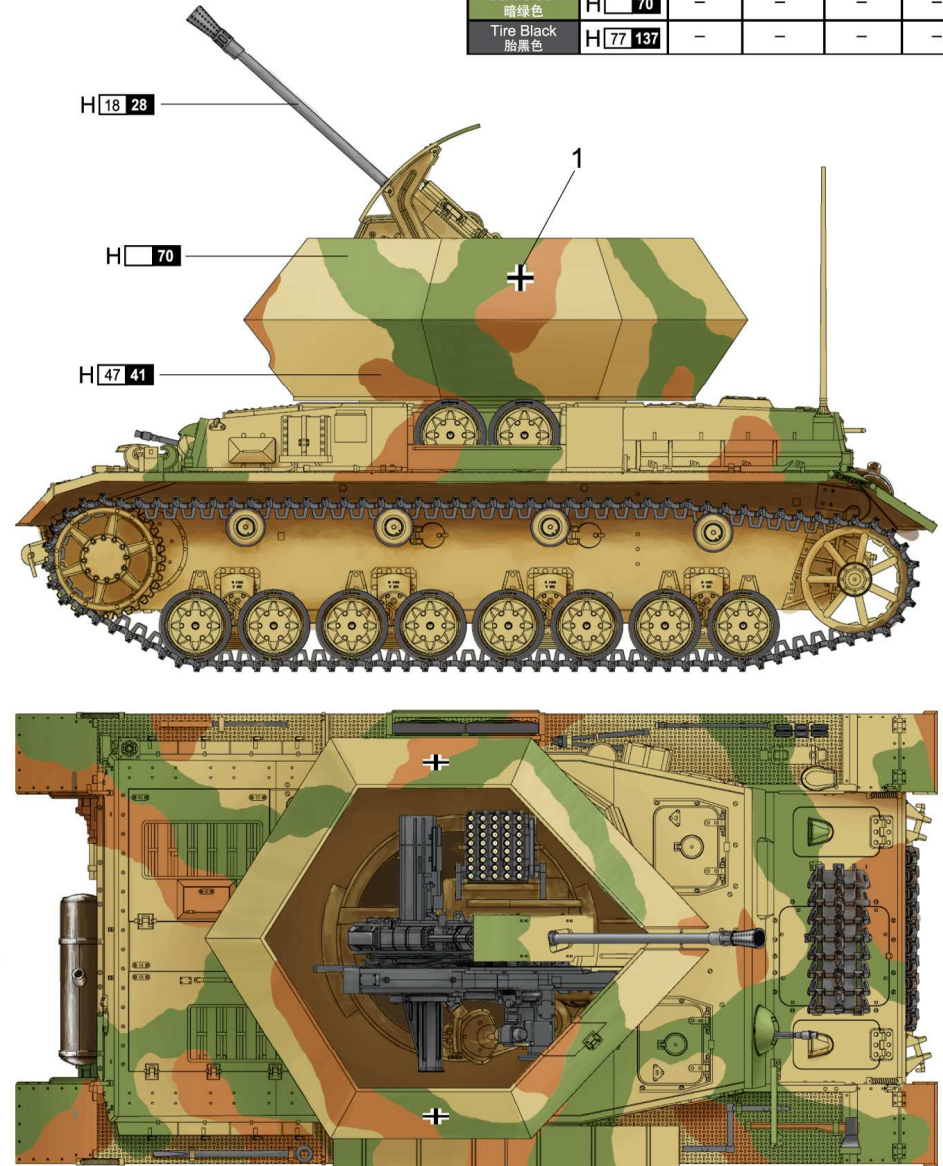
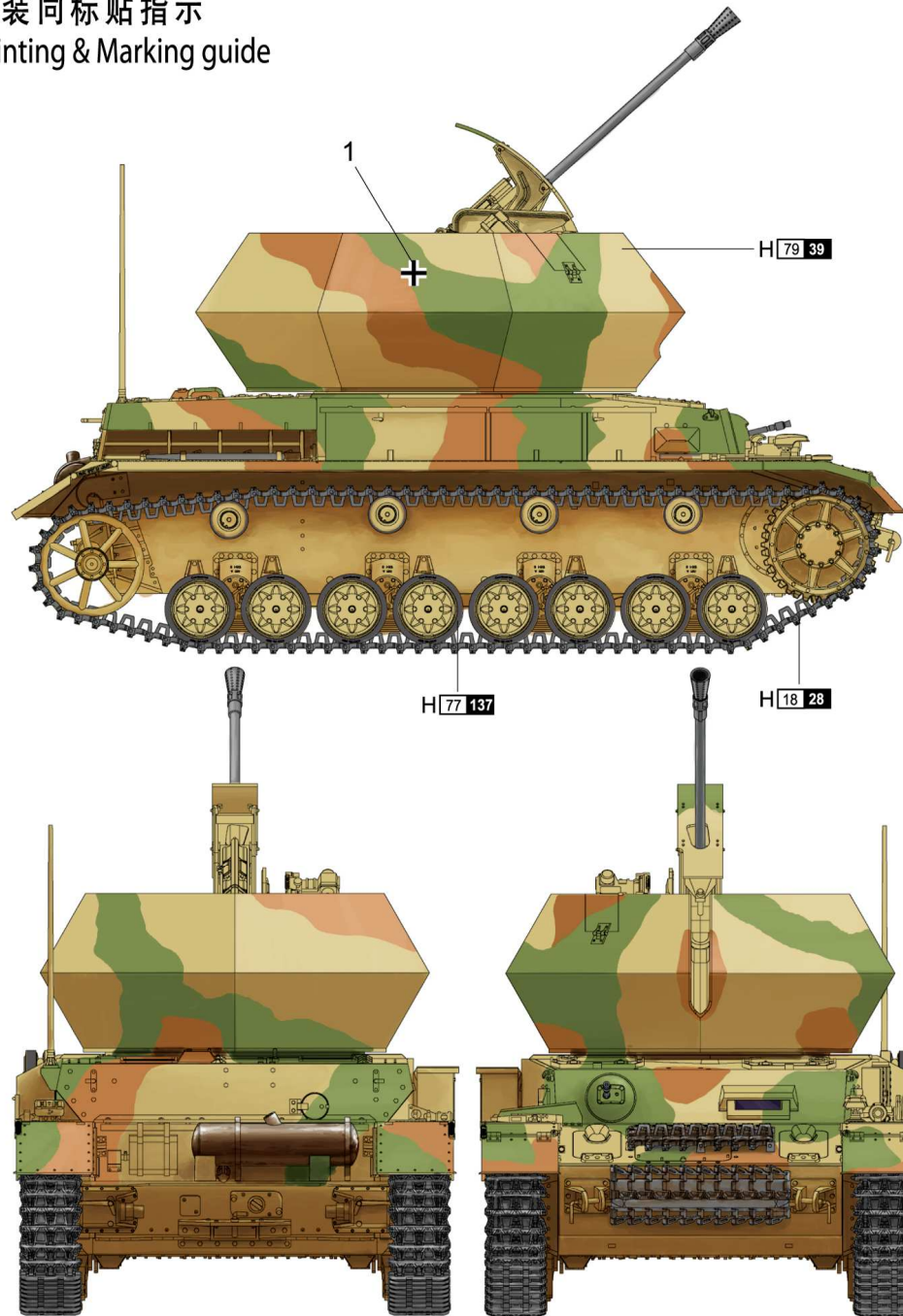




# 涂装同标贴指示 Painting & Marking guide



PAINT REFERENCE COLOUR					
Color	Mr.Hobby	Vallejo	Model Master	Tamiya	Humbrol
Metal Black 黑铁色	H 18 28	864	1402	—	—
Sandy Brown 沙黄色	H 79 39	824	—	XF59	93
Red Brown 红棕色	H 47 41	984	—	XF64	160
Dark Green 暗绿色	H 70	—	—	—	—
Tire Black 胎黑色	H 77 137	—	—	—	—



H  AQUEOUS HOBBY COLOR    ■ Mr. COLOR

01520 1/35 German 3.7cm Flak 43 Flakpanzer IV "Ostwind"