

03701

36

1:200 SCALE **ITEM NO.:03701**

USS Arizona BB-39 1941

美国“亚利桑纳”号战列舰 BB-39 1941年

READ BEFORE ASSEMBLY:

- This kit is not recommended for inexperienced modelers or for children under 14 years of age
- Study and understand these instructions thoroughly before beginning assembly
- When needed, remove photo-etch parts carefully using a modeling knife or photo etch sprue cutter, being careful not to damage or lose small parts.
- Take extra care in handling photo etch parts in order to avoid injury
- Apply instant cement sparingly to photo etch parts where instructed

Tools recommended(not included in kit):Plastic and instant cements,sprue cutters,long nose pliers,modeling knife, small files, tweezers, pin vise & scissors. Soft cloth and sandpaper will also assist in construction

- Glue and paint are not included in the kit. Use plastic cement and hobby paints only. Color guide for purchasing paint is included in the kit.
- Keep out of reach of children. They must not be allowed to ingest small parts or handle plastic bags in any way.

水贴纸的使用:

1. 从水贴纸上剪下印花;
2. 将印花放入温水中浸10秒, 然后放在干净布上;
3. 拿着印花纸板将印花移到模型上;
4. 手指蘸水将印花移到适当的位置;
5. 用软布轻压印花直至水干, 汽泡消失。

DECAL APPLICATION:

1. Cut decals from sheet as needed
2. Dip the decal in warm water for about 10 seconds and then place on soft clean cloth.
3. Hold the decal backing sheet edge and gently slide the decal onto the model in its proper position.
4. While still wet, decal can be adjusted for better fit on model by dampening it gently with your finger.
5. When placed in the proper position, gently press decal down with a soft cloth until excess water and air bubbles are gone.
6. Allow decal to dry completely before handling model

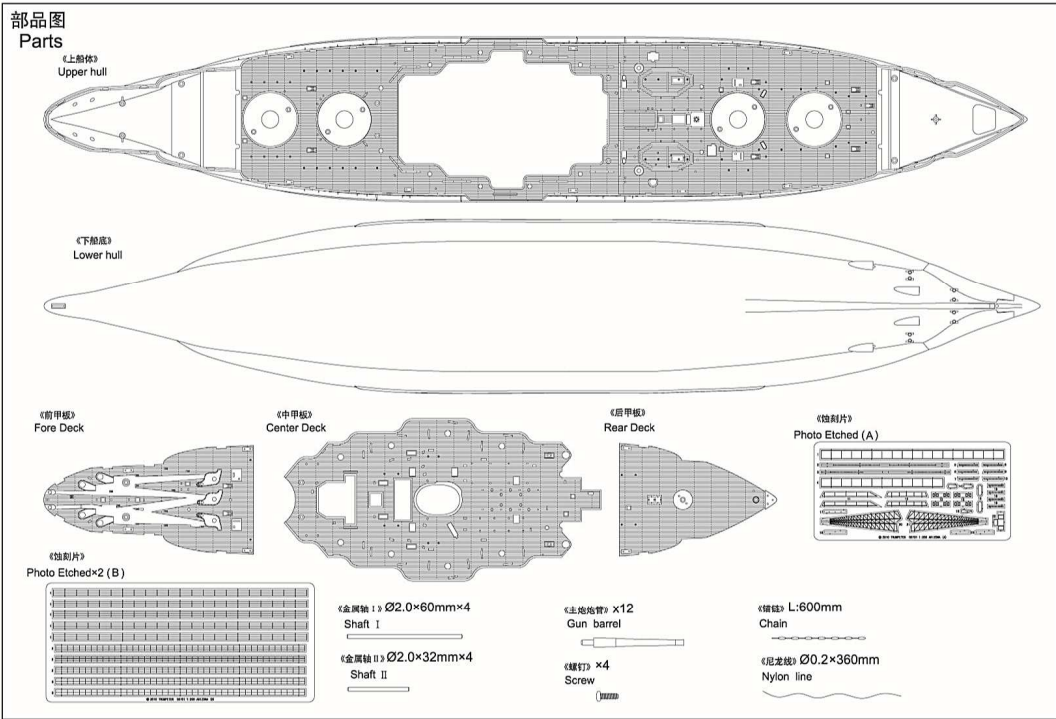
装配之前仔细阅读

- 小心用模型剪刀锉平所有零件表面的注射浇口。
- 小心用刀片切下蚀刻片零件, 不要遗失小零件。
- 用强力快干胶水粘合蚀刻片零件和金属轴。过量的快干胶水使用可能导致蚀刻片零件会粘住, 小心涂胶。
- 取蚀刻片时应特别注意安全, 防止利刃划伤手指。
- 某些零件表面需贴水贴纸, 请选择在装配的同时进行。
- 推荐模型工具(自备): 胶水, 水口剪刀, 长嘴钳, 刀片, 镊子, 镊子钳, 钻, 剪刀, 瞬间快干胶。
- 帆布同砂纸同时也应该是必备工具。
- 请使用塑料胶水和油漆, 模型内不含。
- 谨防小孩吸吮塑料零件, 或者将塑料袋套在头上, 制作时应将套材远离小孩接触。
- 本产品不适合14岁以下没有经验的模型爱好者。

使用强力胶 Cyanoacrylate glue	配重 Weight	钻孔 Make hole	切除 Cut / Remove
刮板 File / Sand	选择 Option	不用胶水 No cement	弯曲 Bend

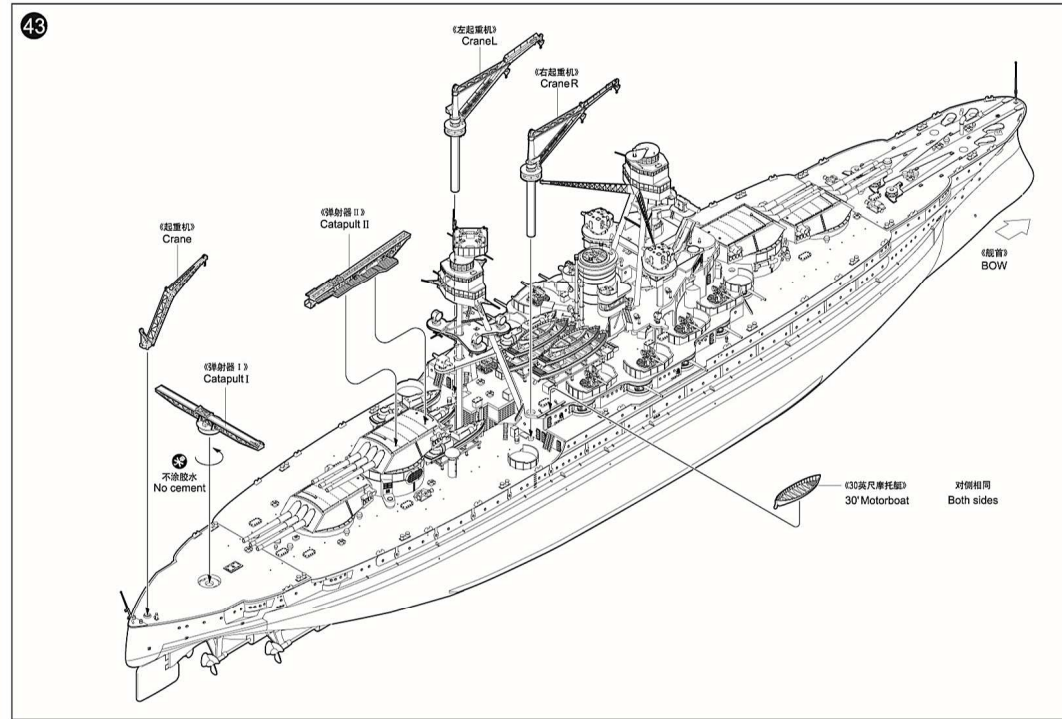
03701

1



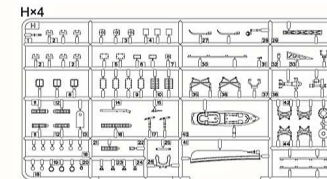
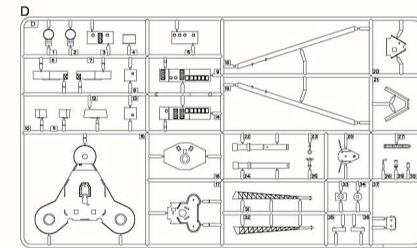
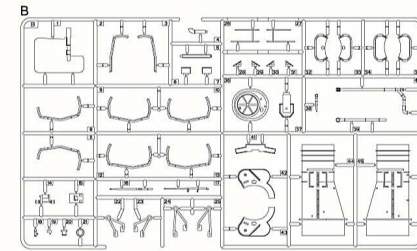
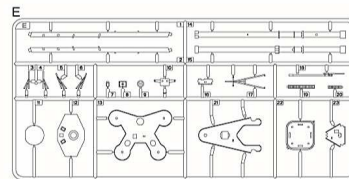
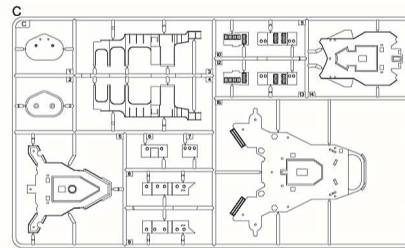
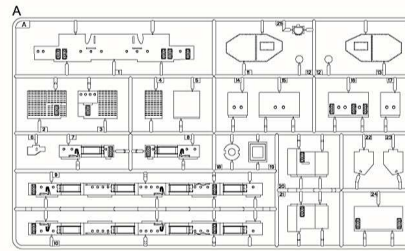
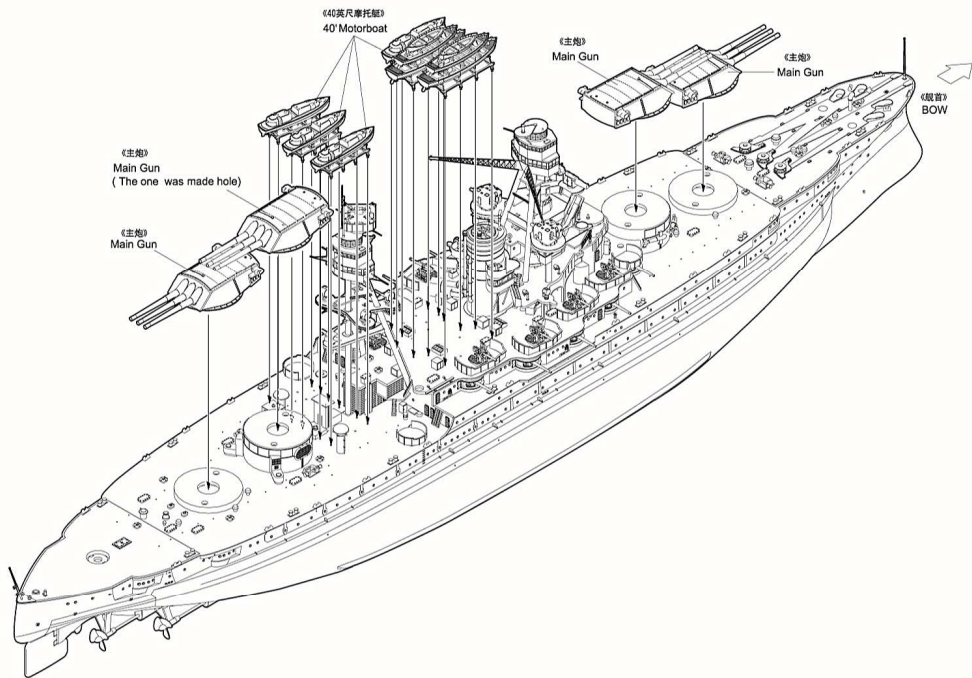
03701

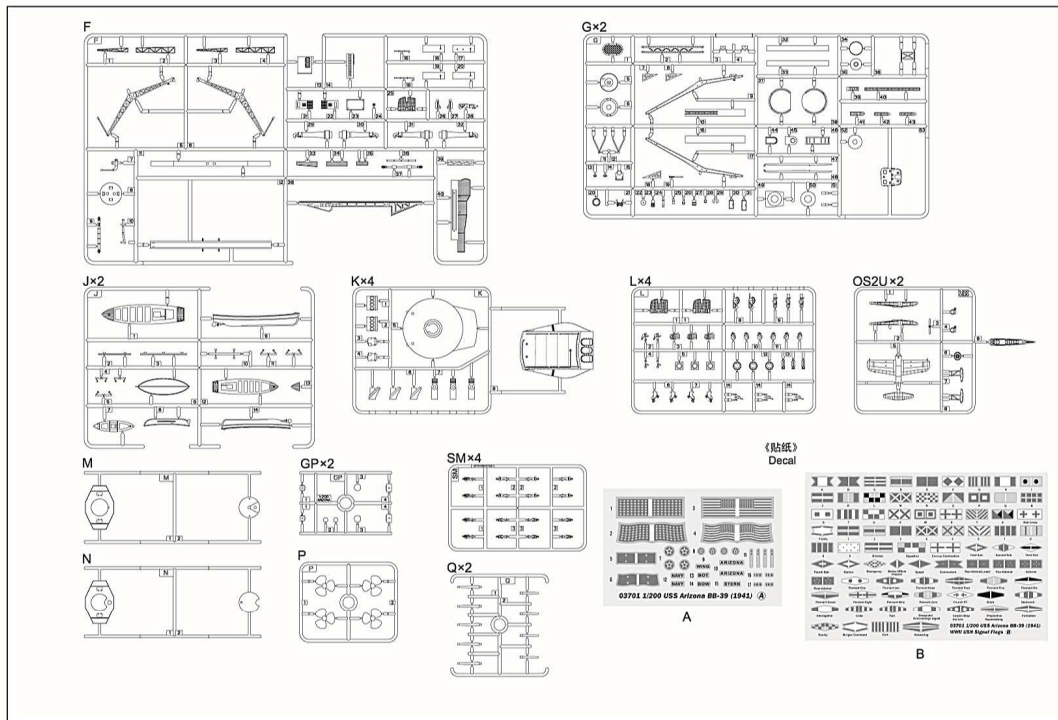
2



03701

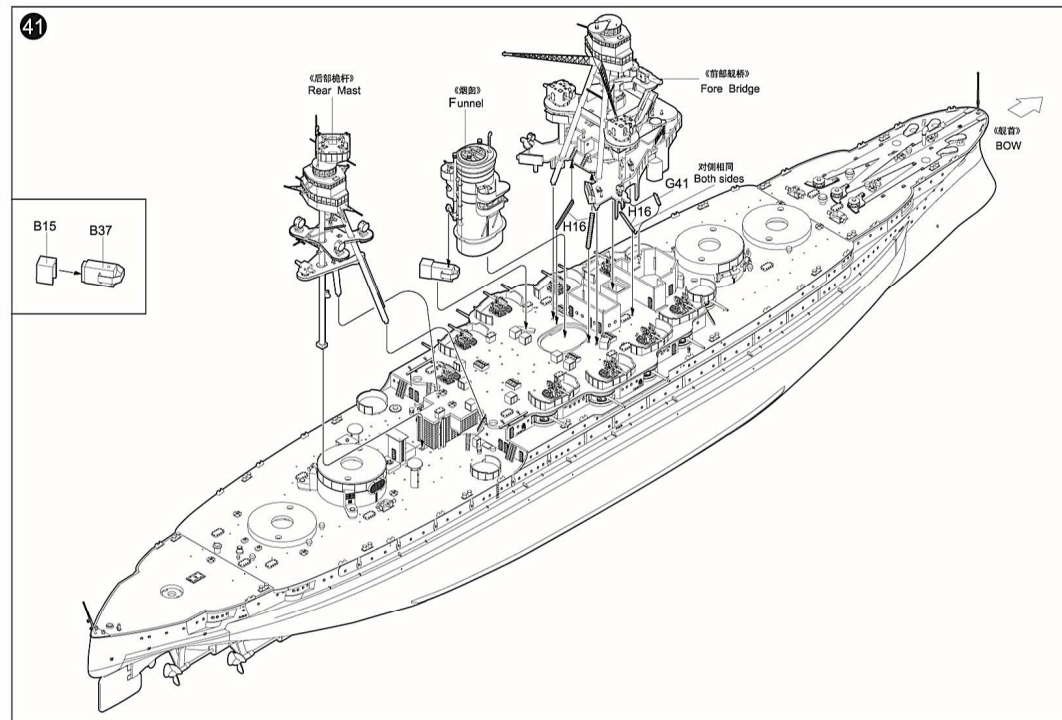
35





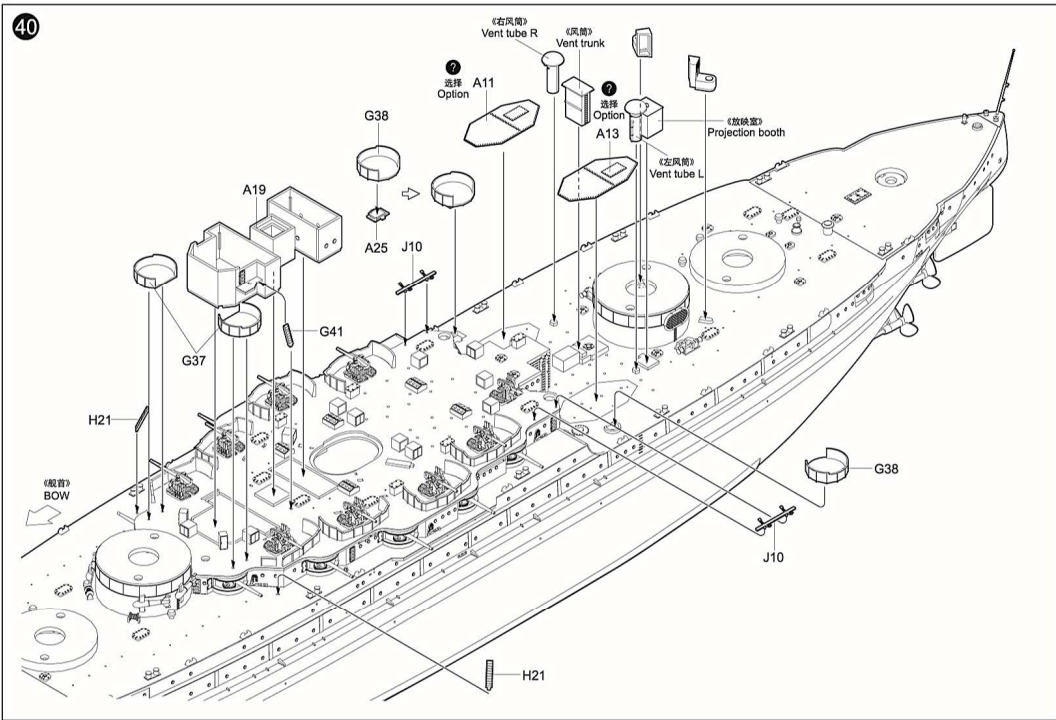
03701

4



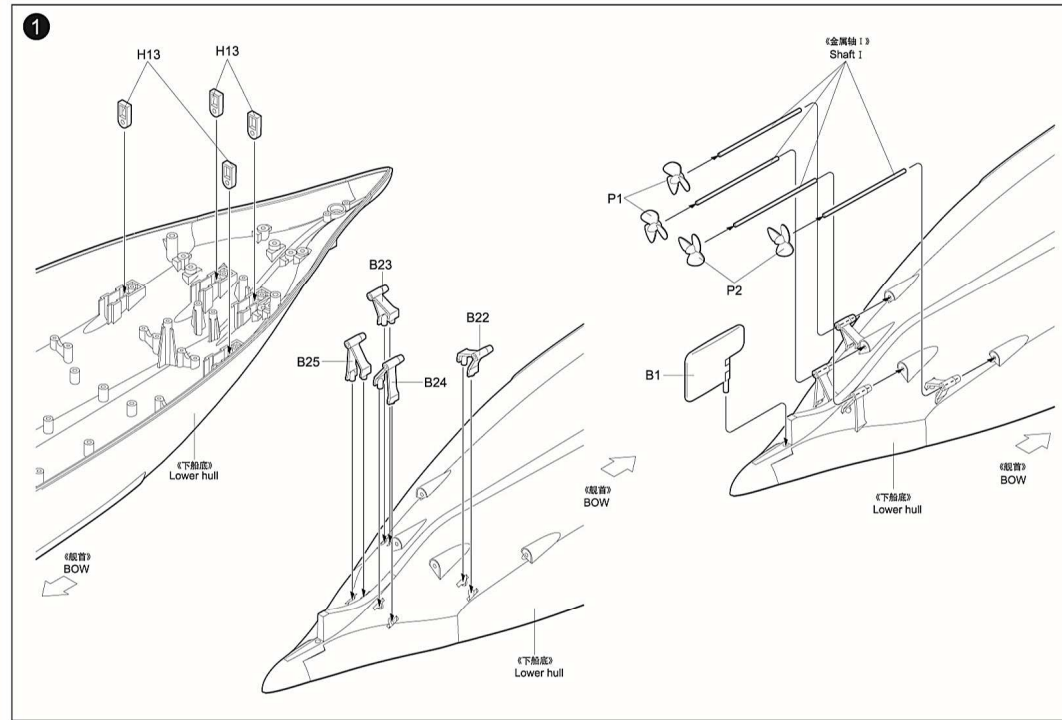
03701

33



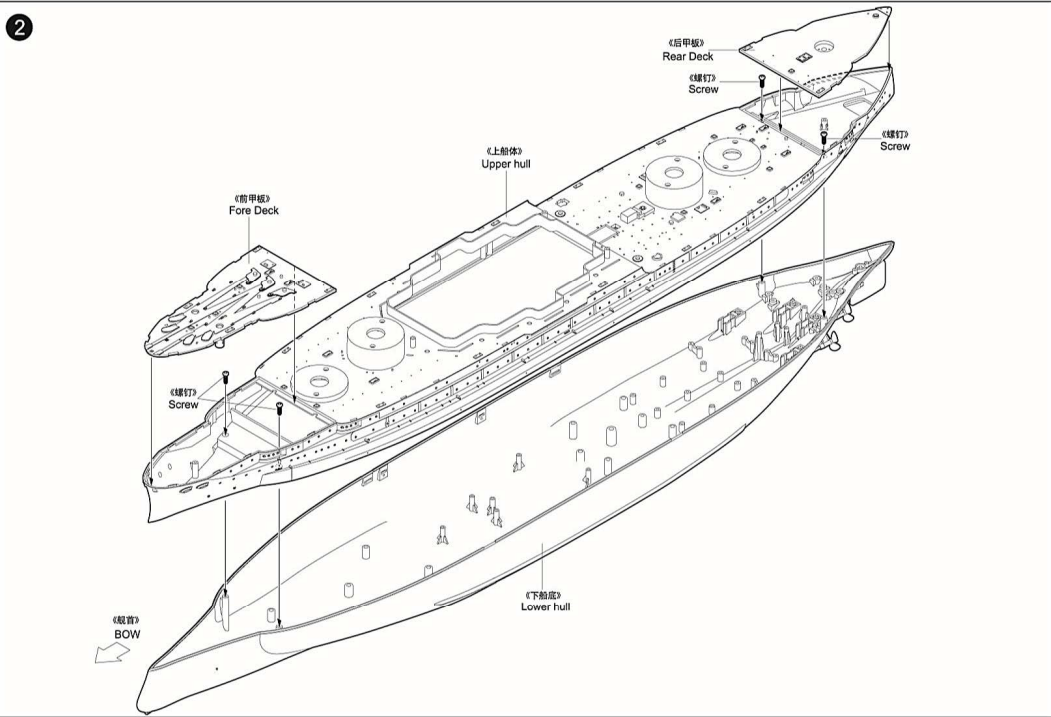
03701

32



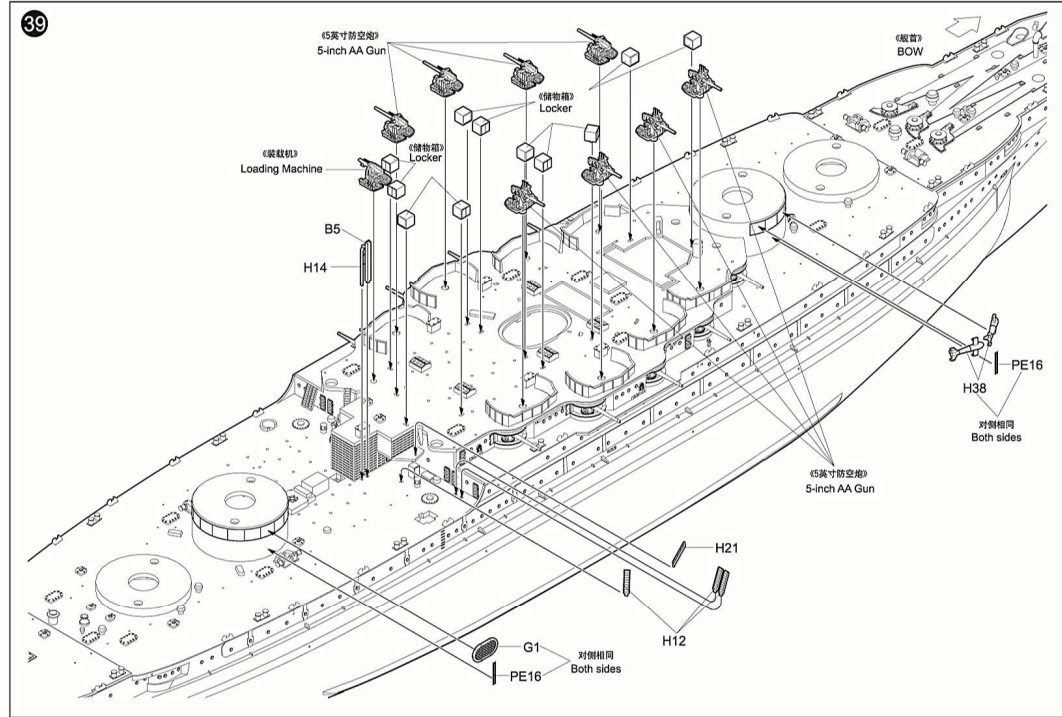
03701

5



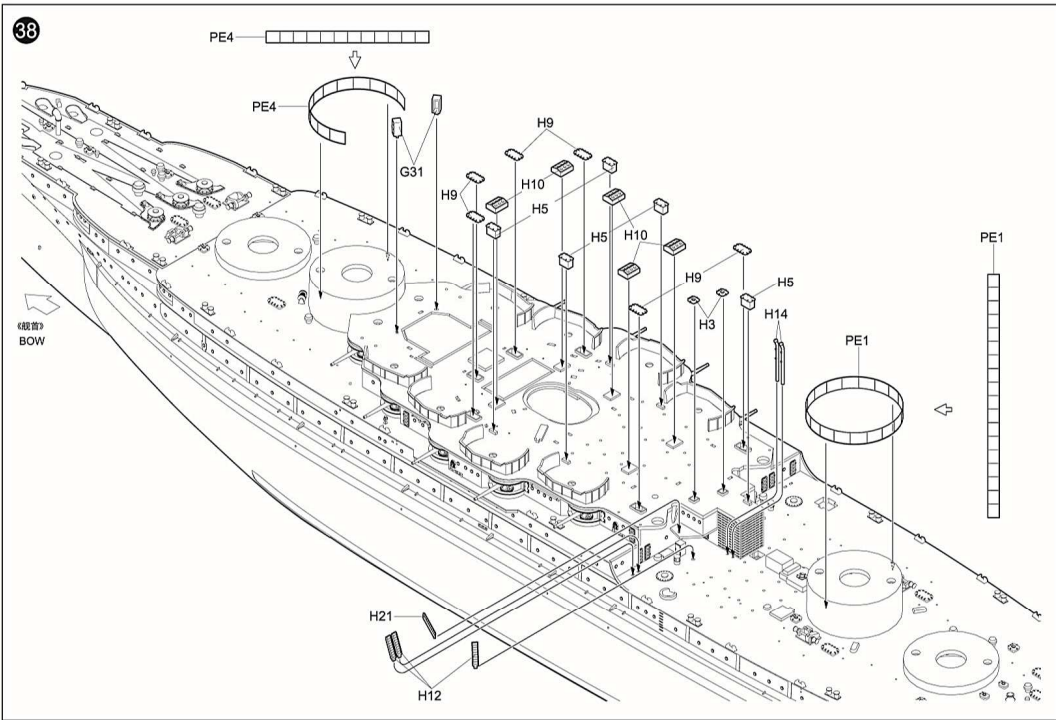
03701

6



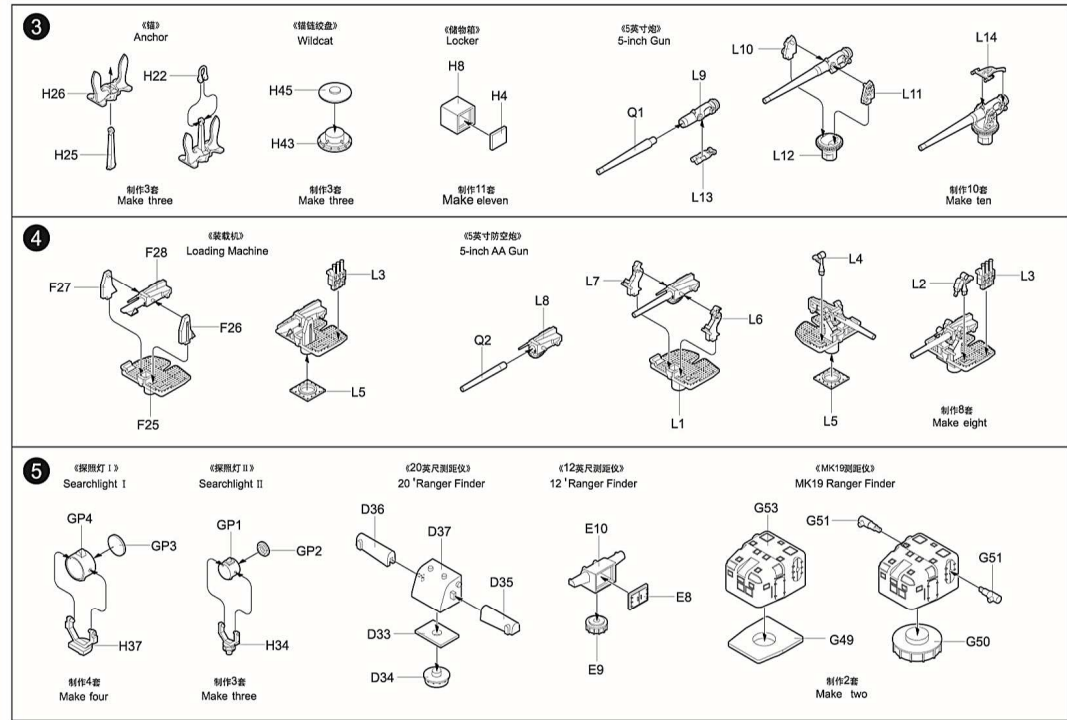
03701

31



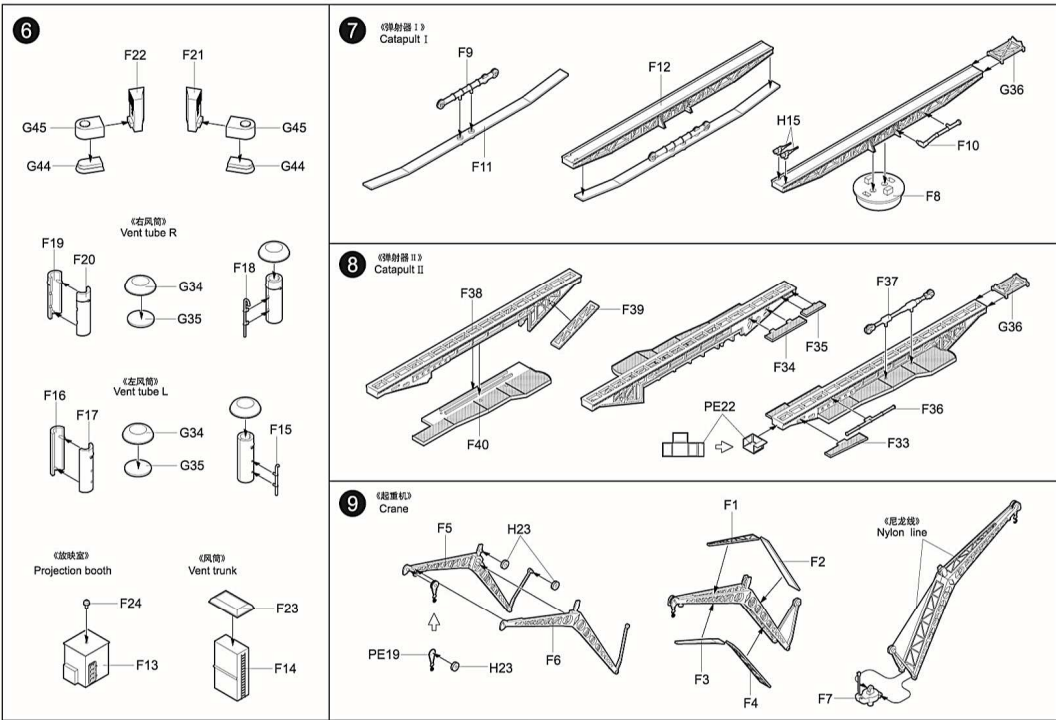
03701

30



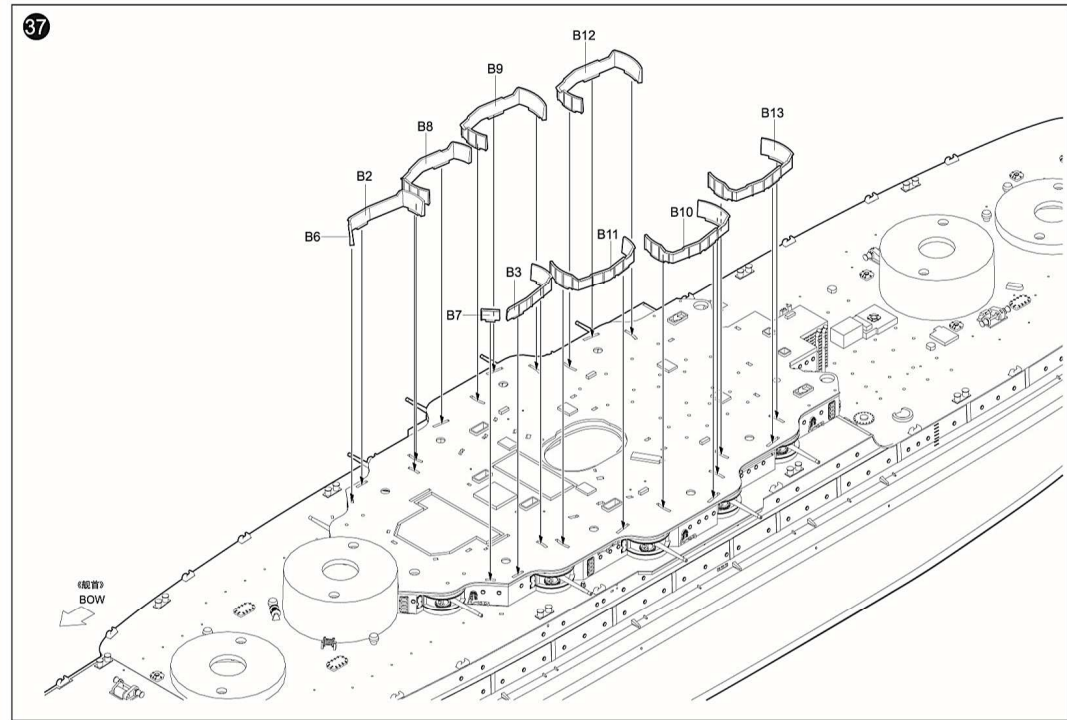
03701

7



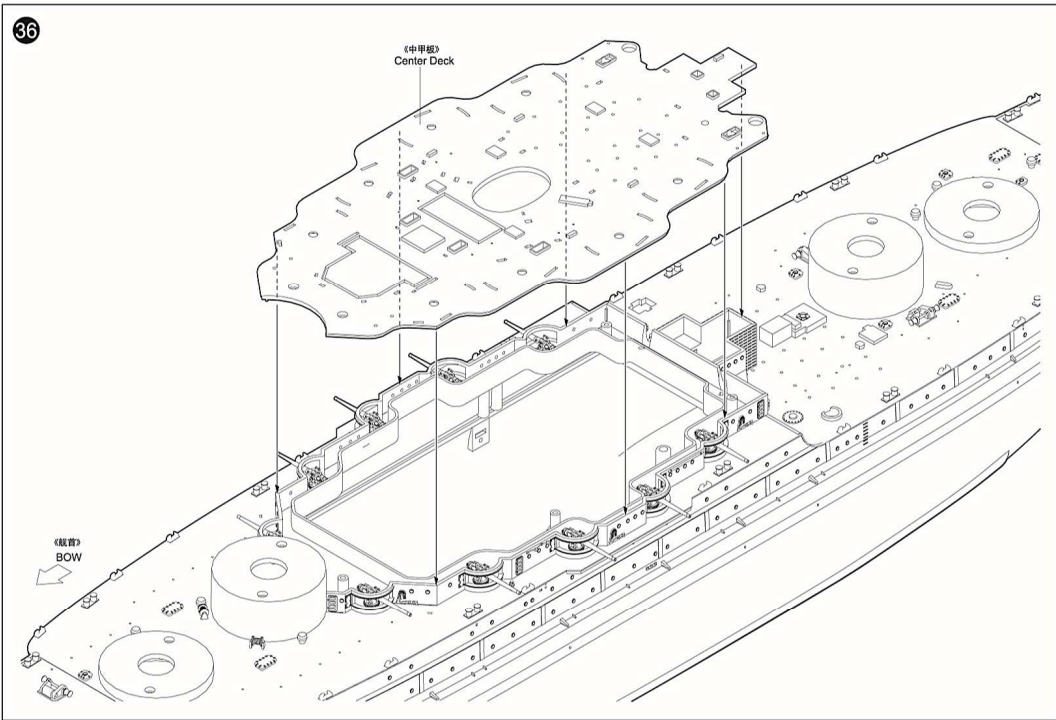
03701

8



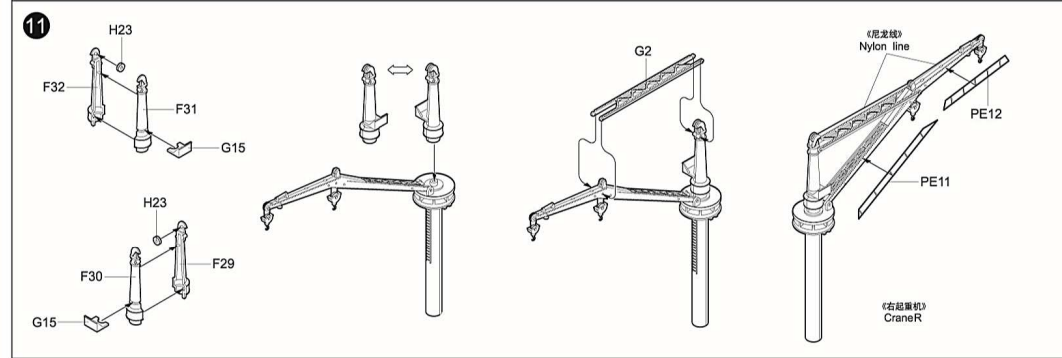
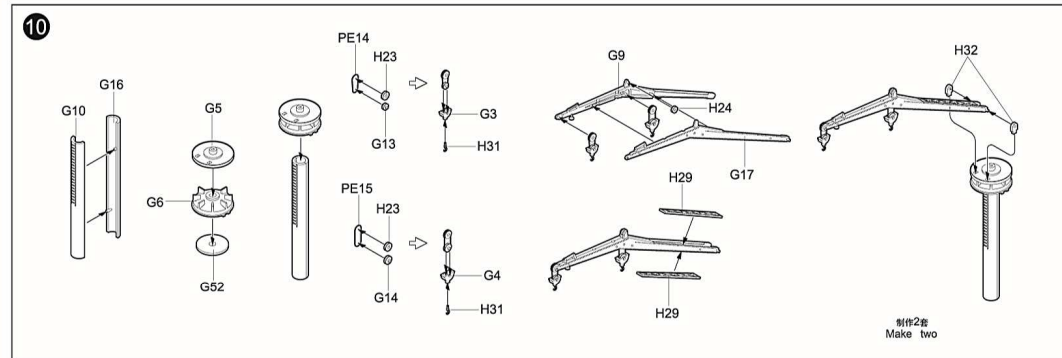
03701

29



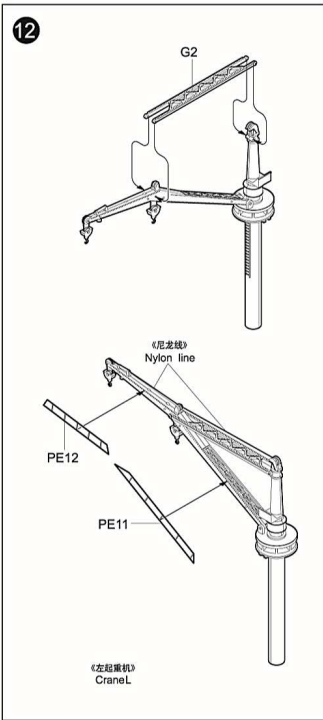
03701

28

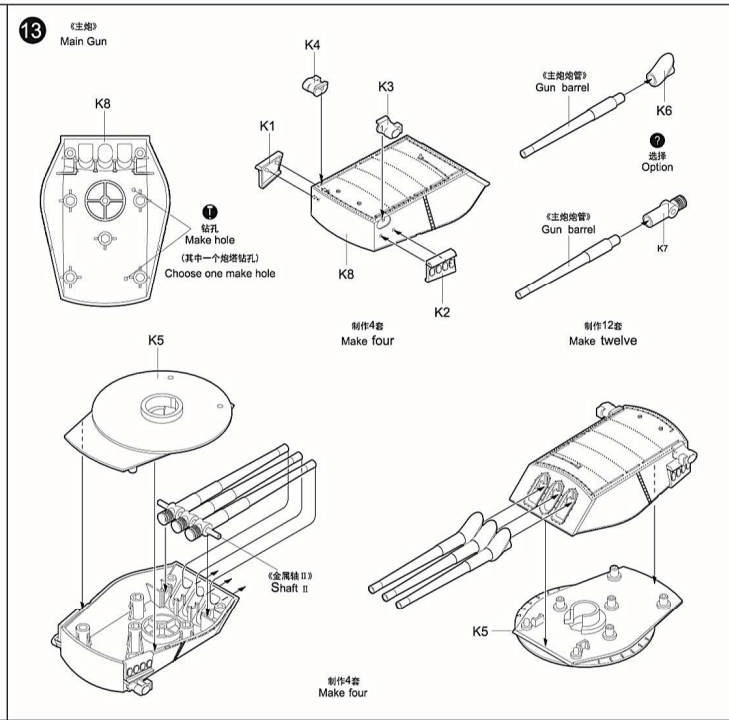


03701

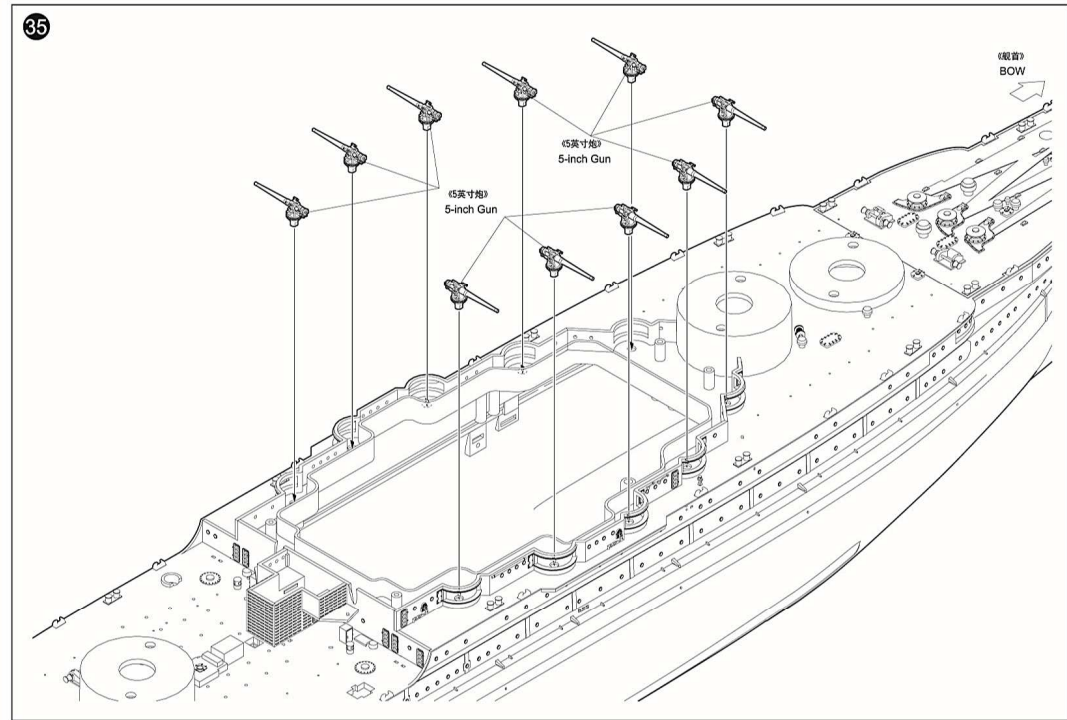
9



03701

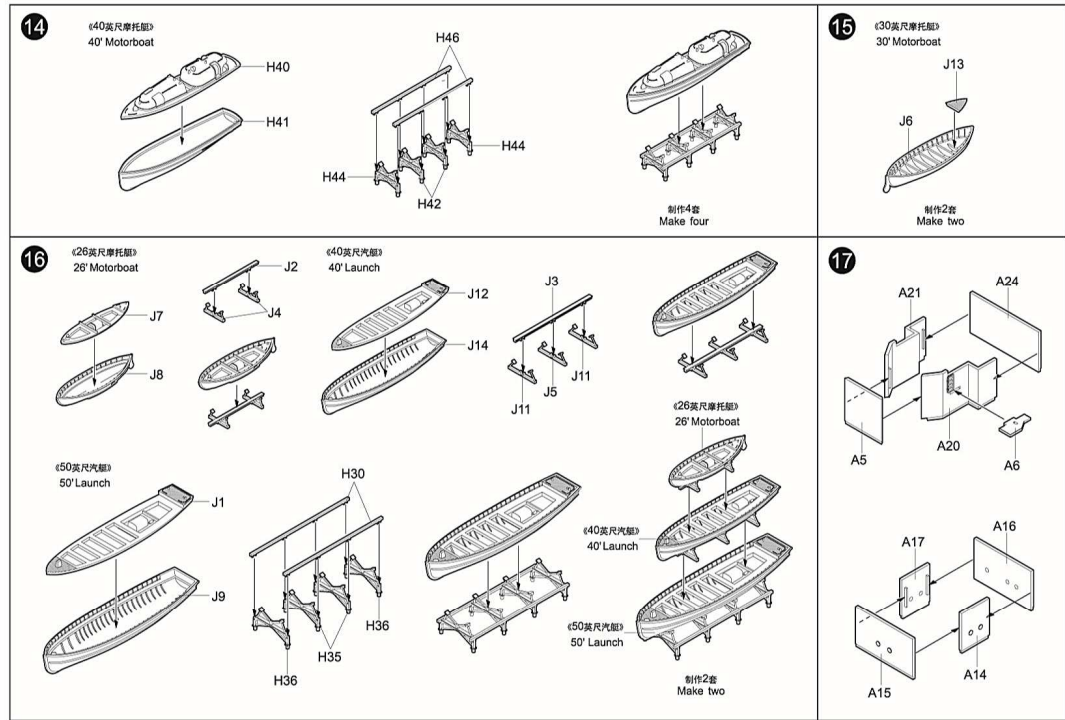
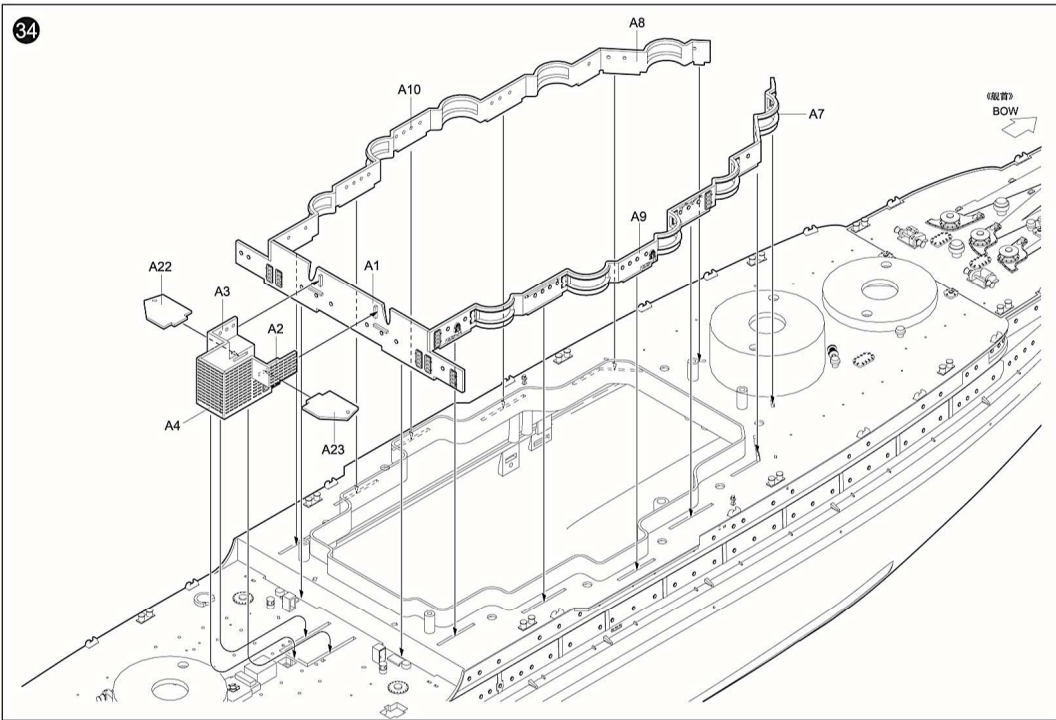


10



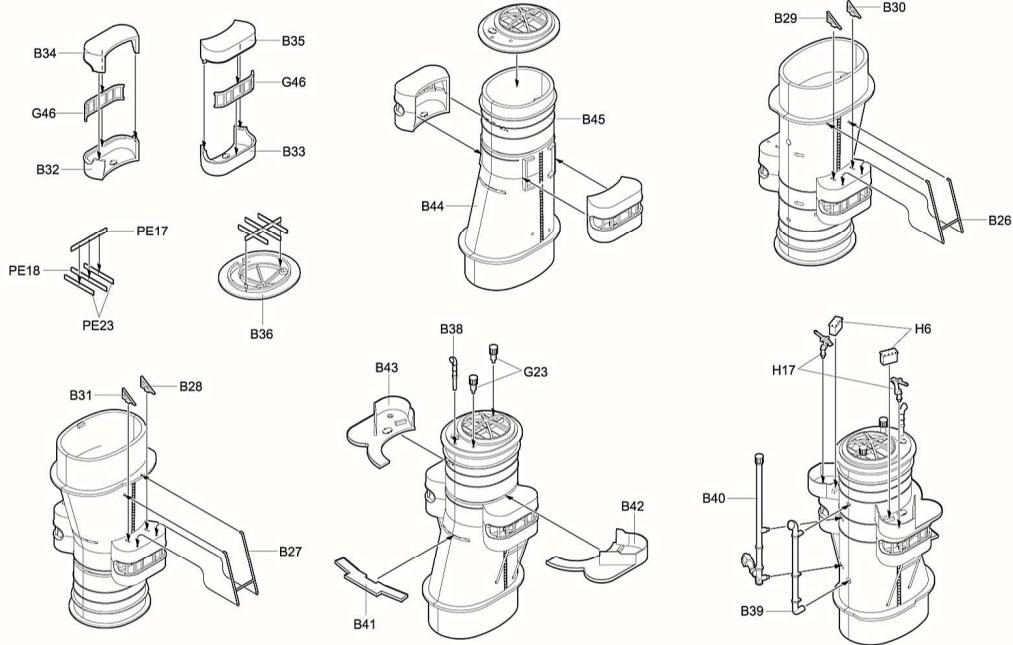
03701

27



18

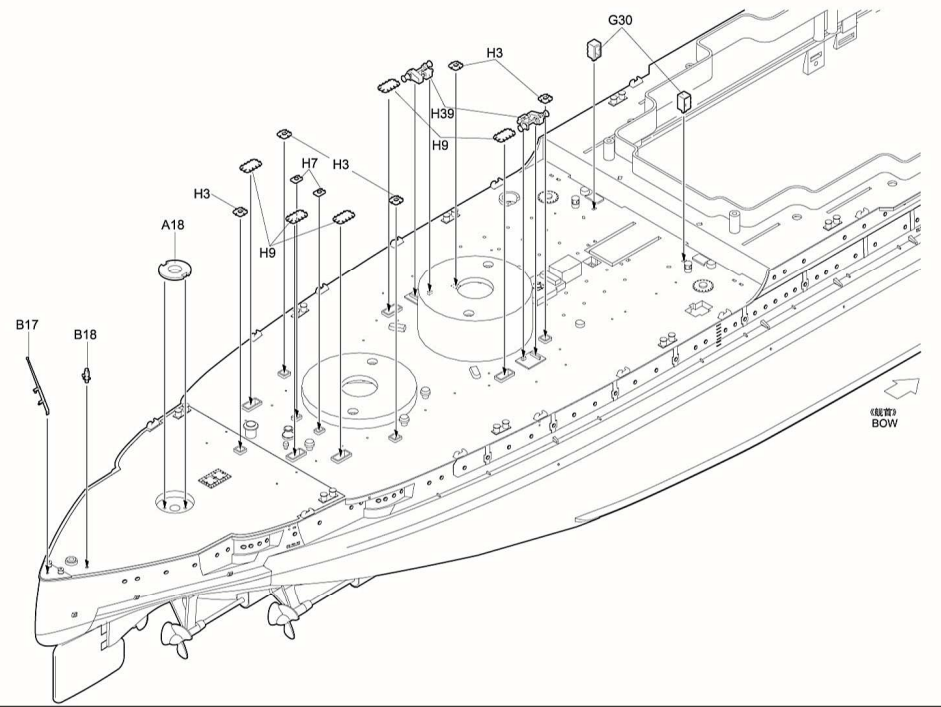
《漏斗》
Funnel



03701

12

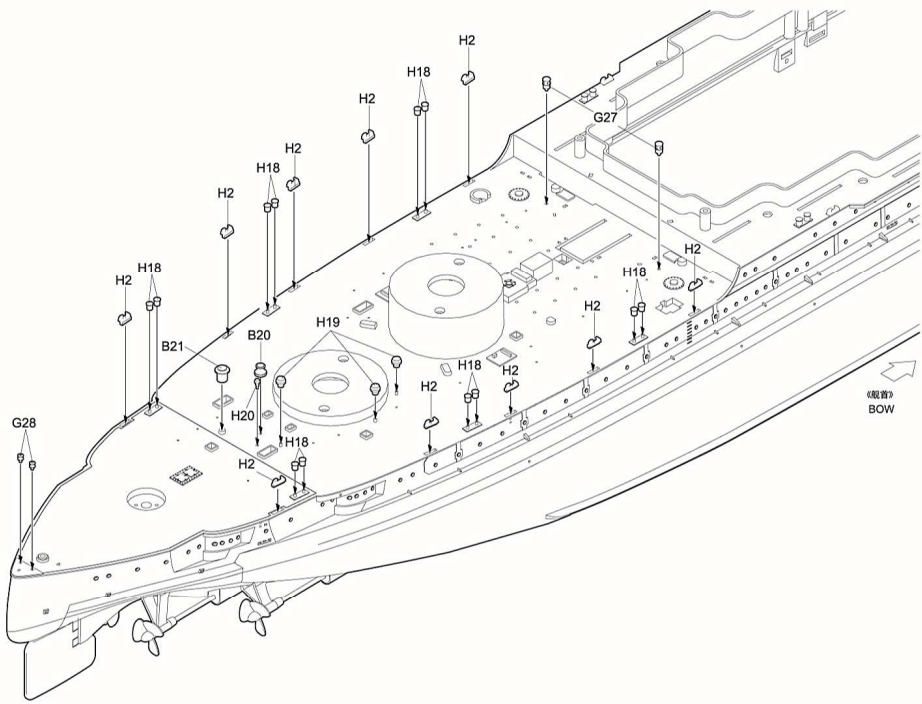
33



03701

25

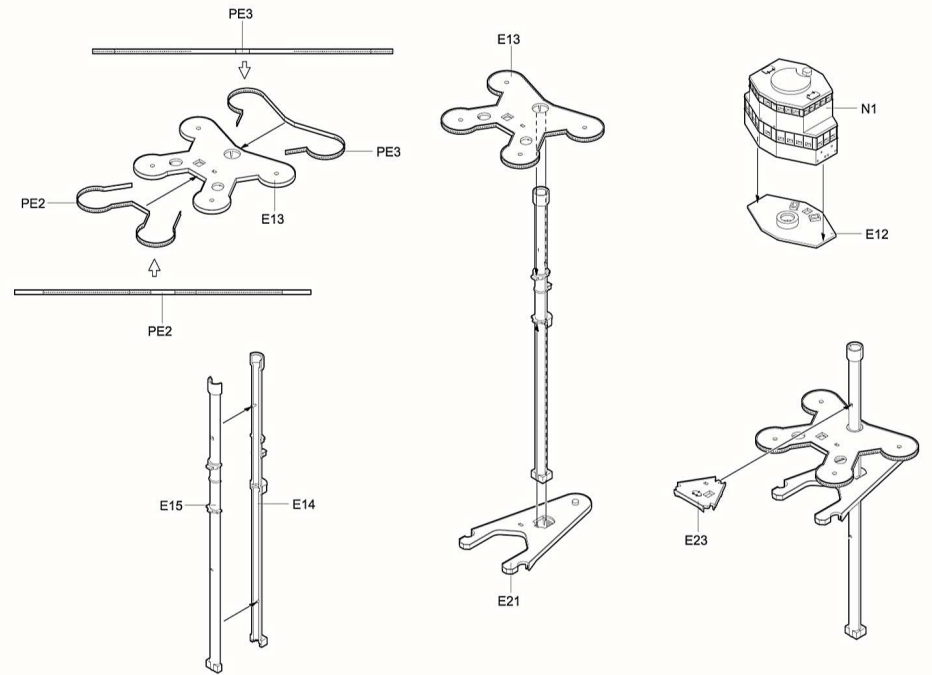
32



03701

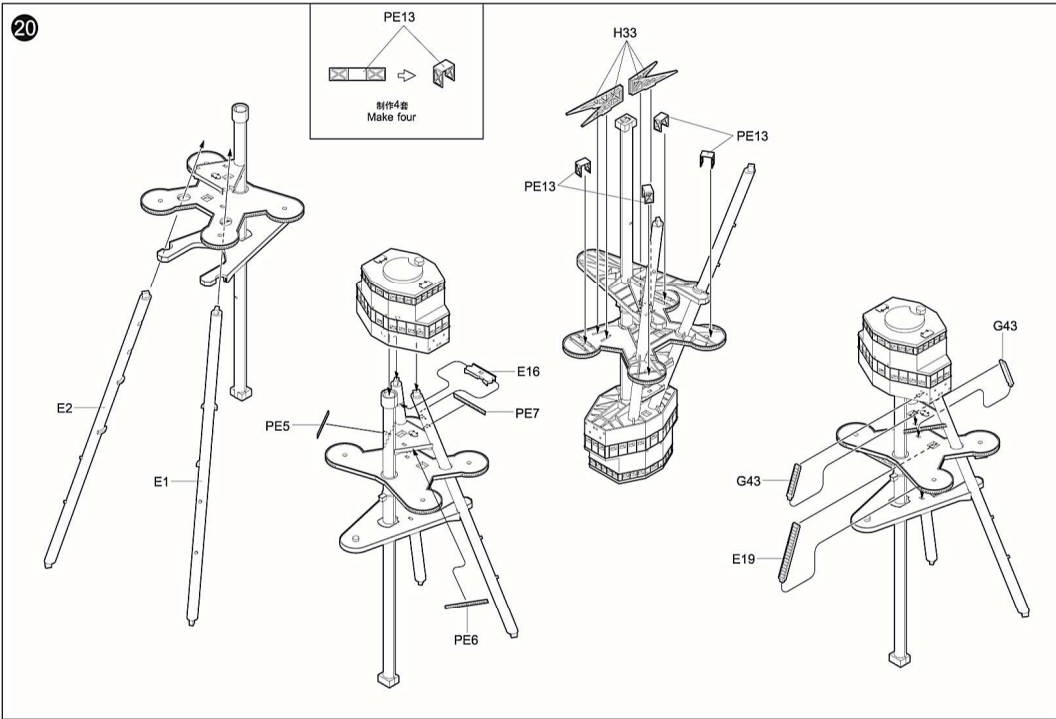
24

19



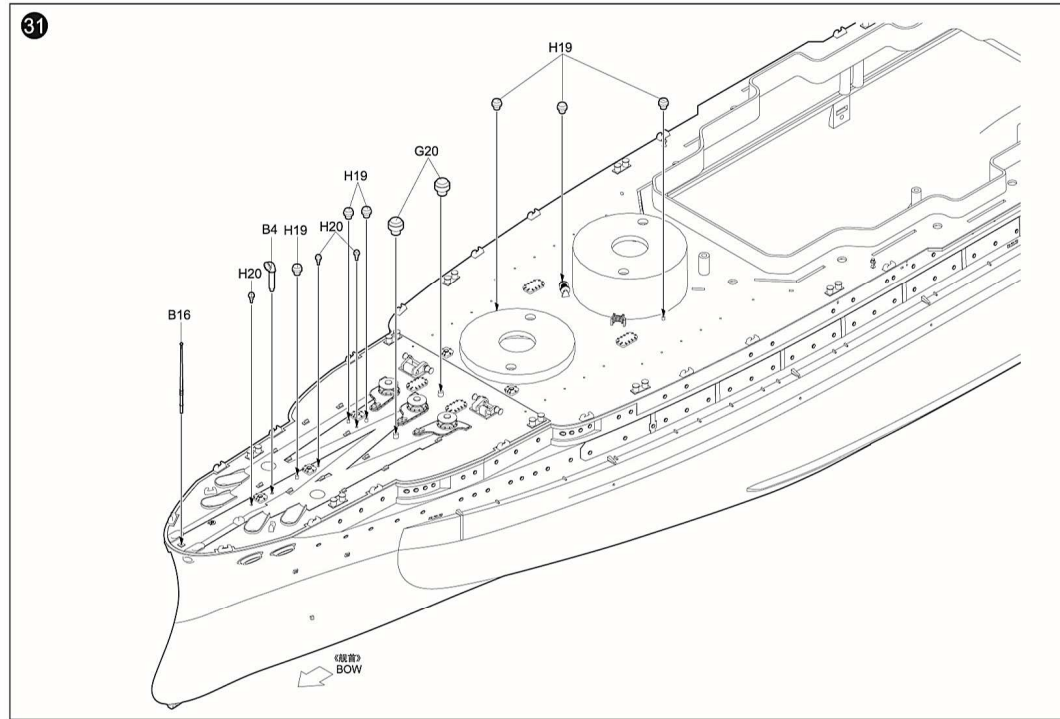
03701

13



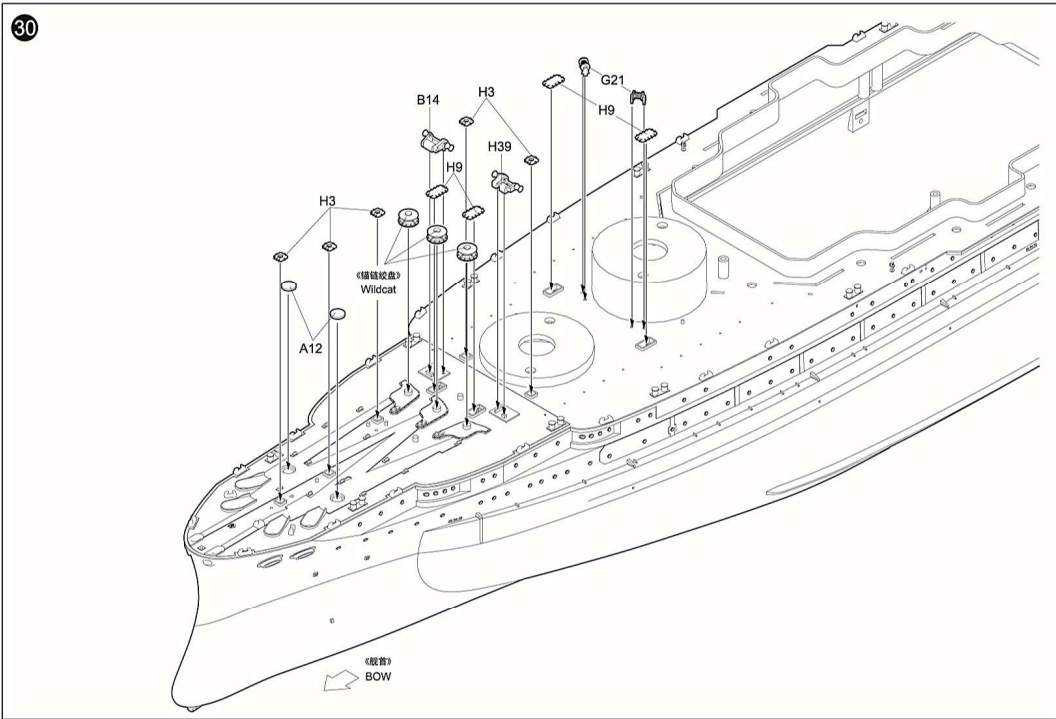
03701

14



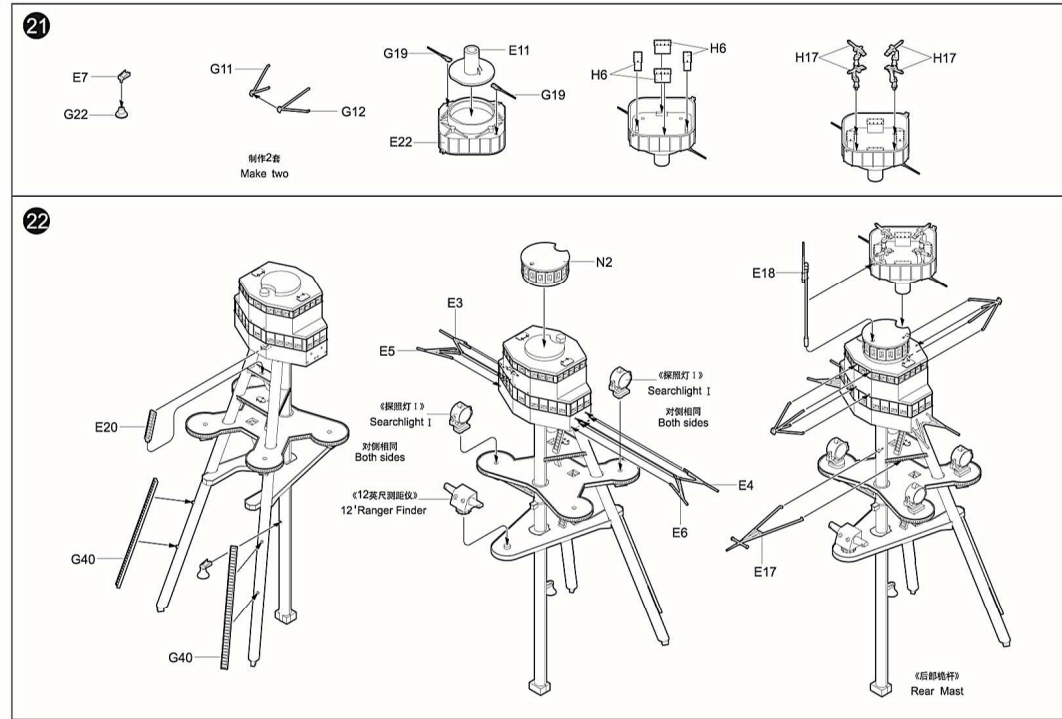
03701

23



03701

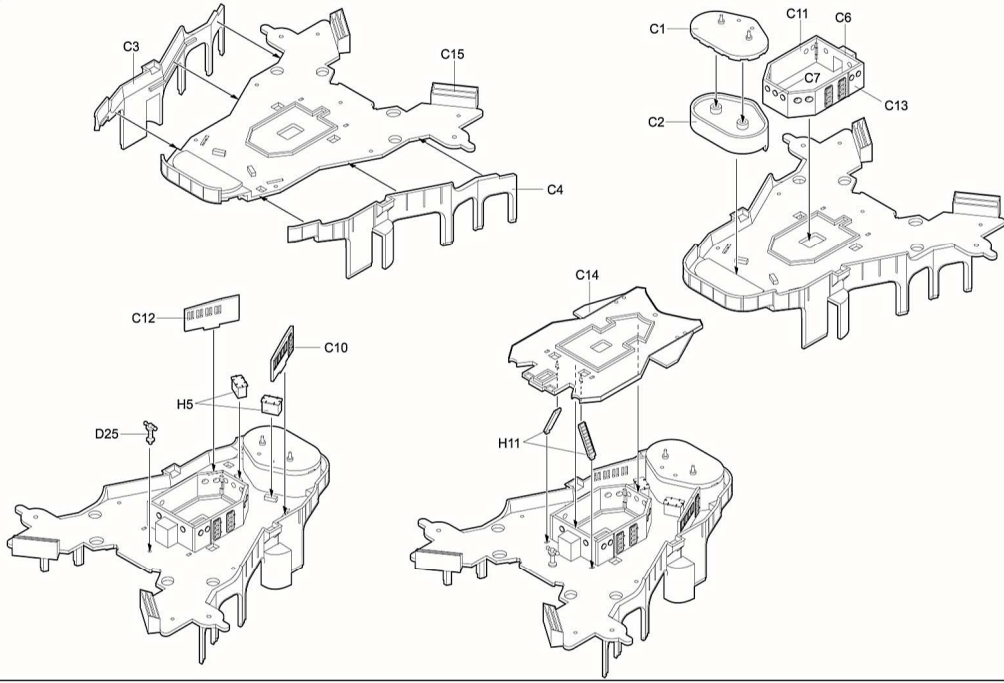
22



03701

15

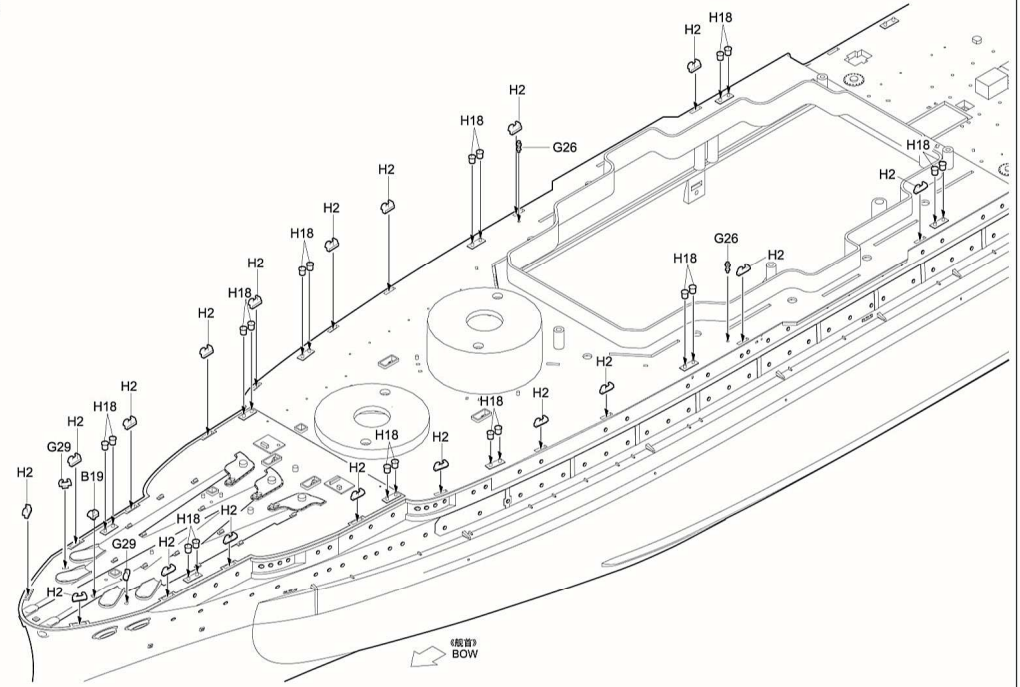
23



03701

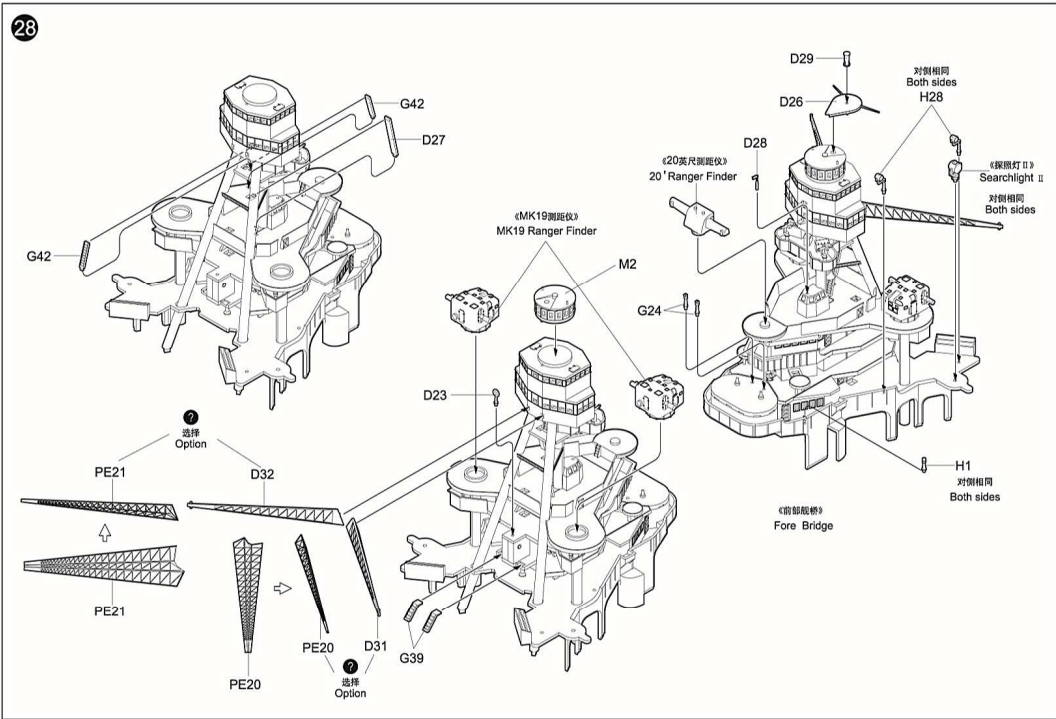
16

29



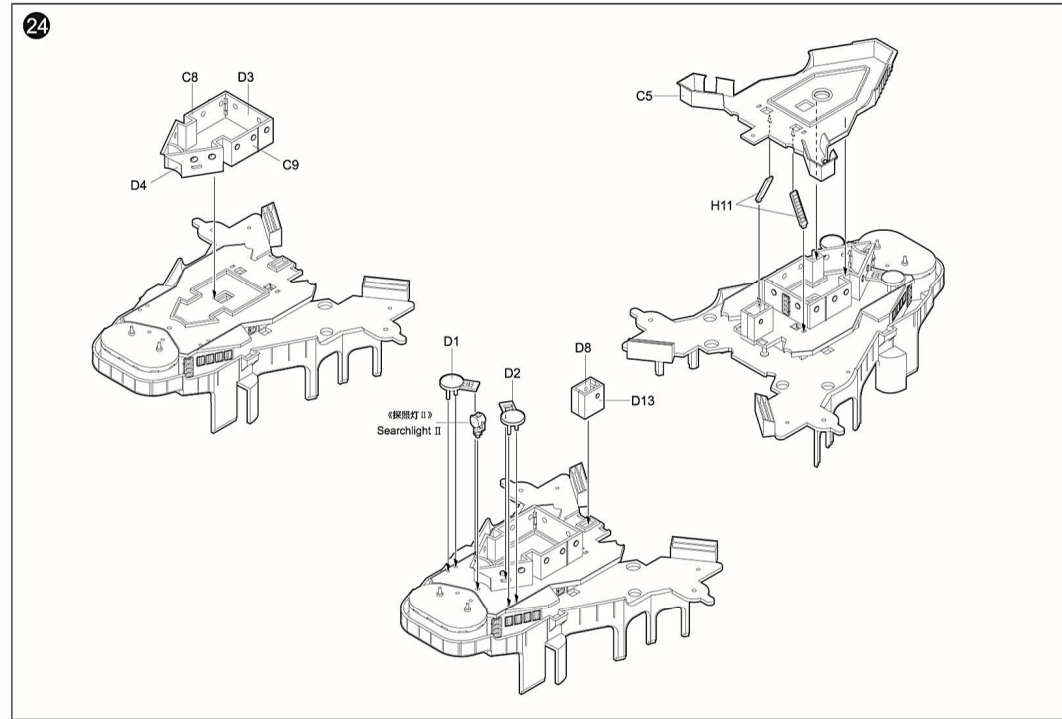
03701

21



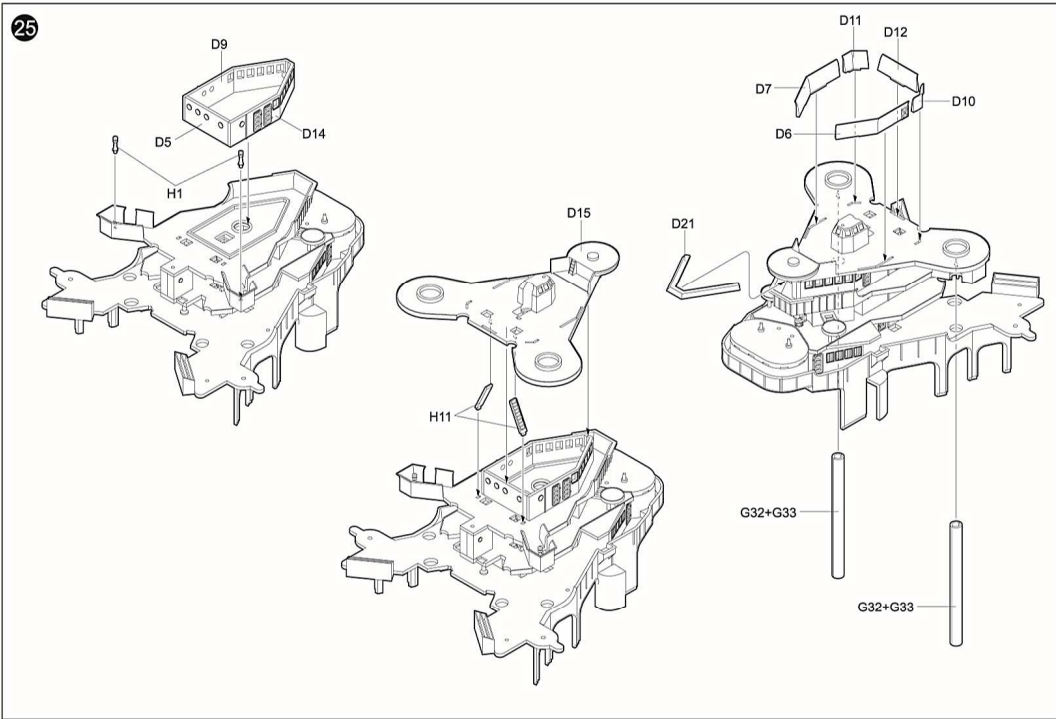
03701

20



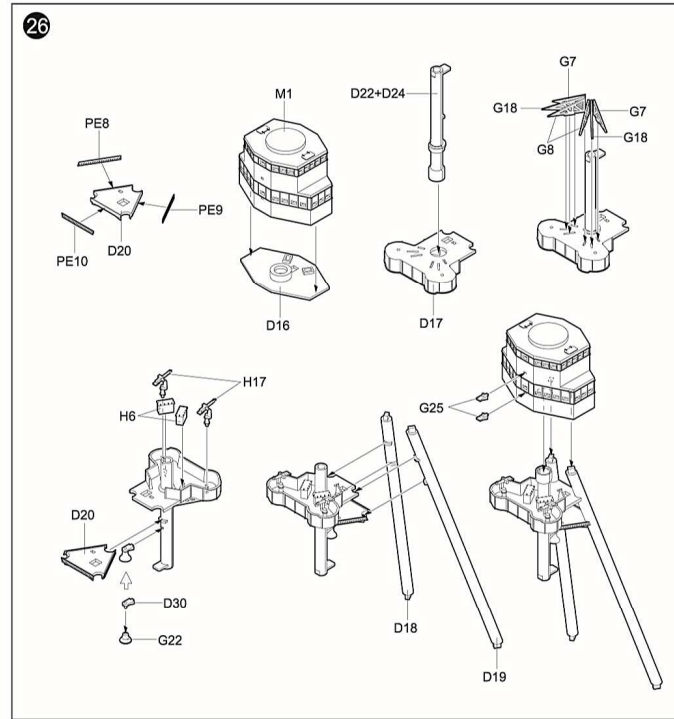
03701

17



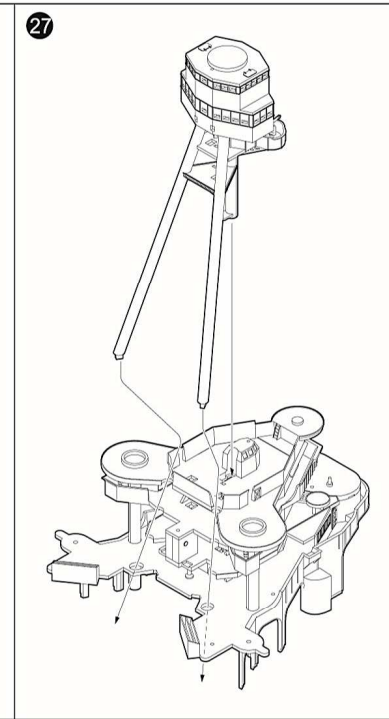
03701

18



03701

19



03701