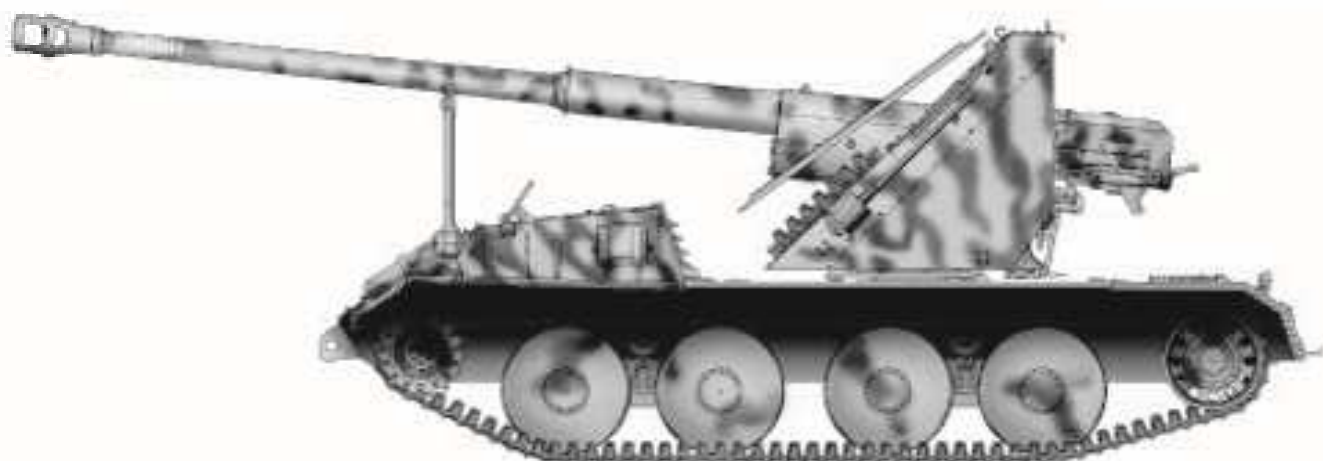


1/35 SCALE

ITEM NO.:05550



# German 8.8cm PAK-43 Waffentrager Self Propelled Gun

## 德国标准底盘PAK-43 88毫米自行火炮

### READ BEFORE ASSEMBLY:

- Study and understand these instructions thoroughly before beginning assembly
- When needed, remove photo-etch parts carefully using a modeling knife or photo etch sprue cutter, being careful not to damage or lose small parts.
- Take extra care in handling photo etch parts in order to avoid injury
- Apply instant cement sparingly to photo etch parts where instructed
- Tools recommended(not included in kit):Plastic and instant cements, sprue cutters,long nose pliers,modeling knife, small files, tweezers, pin vise & scissors. Soft cloth and sandpaper will also assist in construction
- Glue and paint are not included in the kit. Use plastic cement and hobby paints only. Color guide for purchasing paint is included in the kit.

### 装配之前仔细阅读

- 小心用模型锉刀锉平所有零件表面的注射浇口。
- 小心用刀片切下蚀刻片零件，不要遗失小零件。
- 用强力快干胶水粘合蚀刻片零件和金属轴。过量快干胶水使用可能导致可动零件会粘住，小心涂胶。
- 取蚀刻片时应特别注意安全，防止利边划伤手。
- 某些零件表面需贴水贴纸，请选择在装配的同时进行。
- 推荐模型工具(自备)：胶水，水口剪刀，长咀钳，刀片，锉刀，镊子，钳，钻，剪刀，瞬间快干胶。
- 软布同砂纸同时也应该是必备工具。
- 请使用塑料胶水和油漆，模型内不含。



配重  
Weight



使用强力胶  
Cyanoacrylate glue



钻孔  
Make hole



切割  
Cut / Remove



贴纸  
Decal



锉平  
File / Sand



选择  
Option



不涂胶水  
No cement



弯曲  
Bend

### 水贴纸的使用:

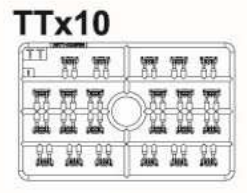
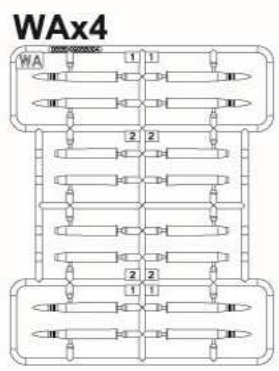
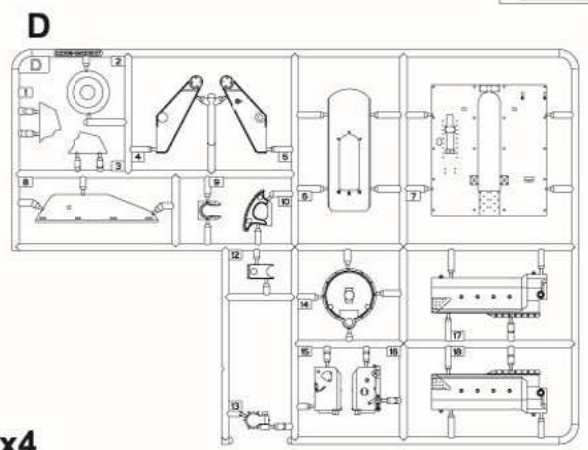
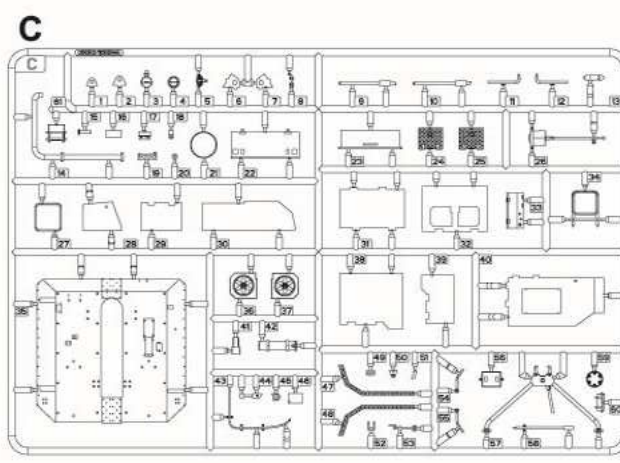
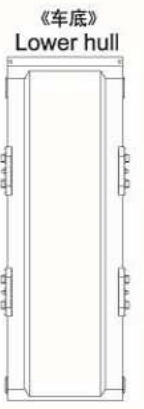
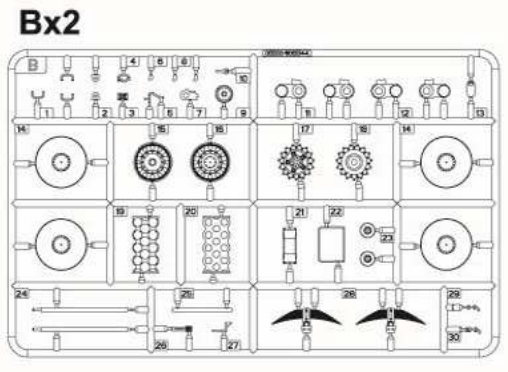
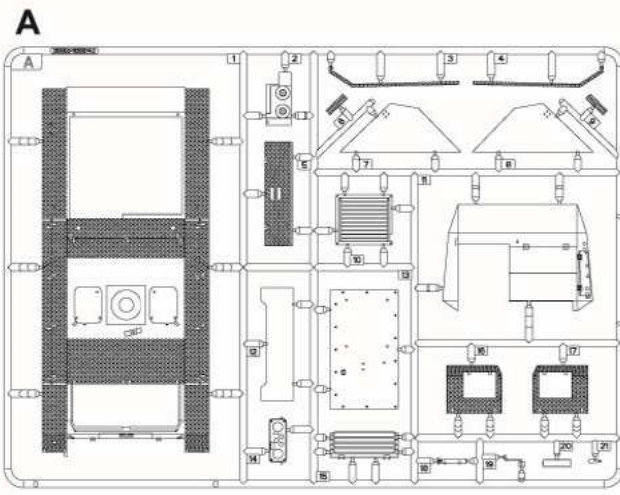
- 1.从水贴纸上剪下印花;
- 2.将印花放入温水中浸10秒, 然后放在干净布上.
- 3.拿着印花纸板将印花移到模型上;
- 4.手指蘸水将印花移到适当的位置;
- 5.用软布轻压印花直至水干, 气泡消失

### DECAL APPLICATION

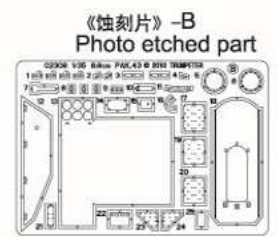
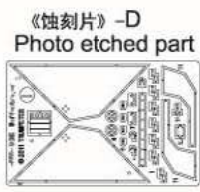
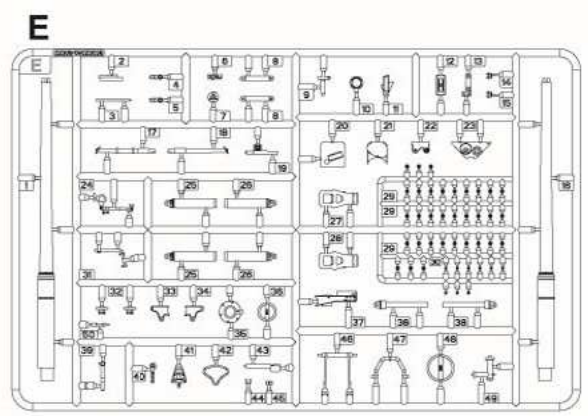
- 1.Cut decals from sheet as needed
- 2.Dip the decal in warm water for about 10 seconds and then place on soft clean cloth.
- 3.Hold the decal backing sheet edge and gently slide the decal onto the model in its proper position.

- 4.While still wet,decal can be adjusted for better fit on model by dampening it gently with your finger.
- 5.When placed in the proper position,gently press decal down with a soft cloth until excess water and air bubbles are gone.
- 6.Allow decal to dry completely before handling model

# 部品图 Parts



《金属炮管》  
Metal barrel

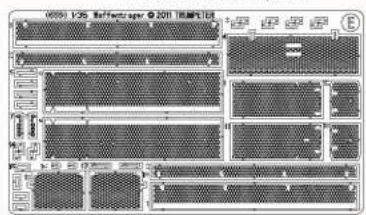
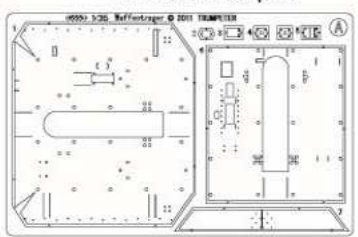


《蚀刻片》-A  
Photo etched part

《蚀刻片》-E  
Photo etched part

《蚀刻片》-Cx2  
Photo etched part

《水贴》  
Decal

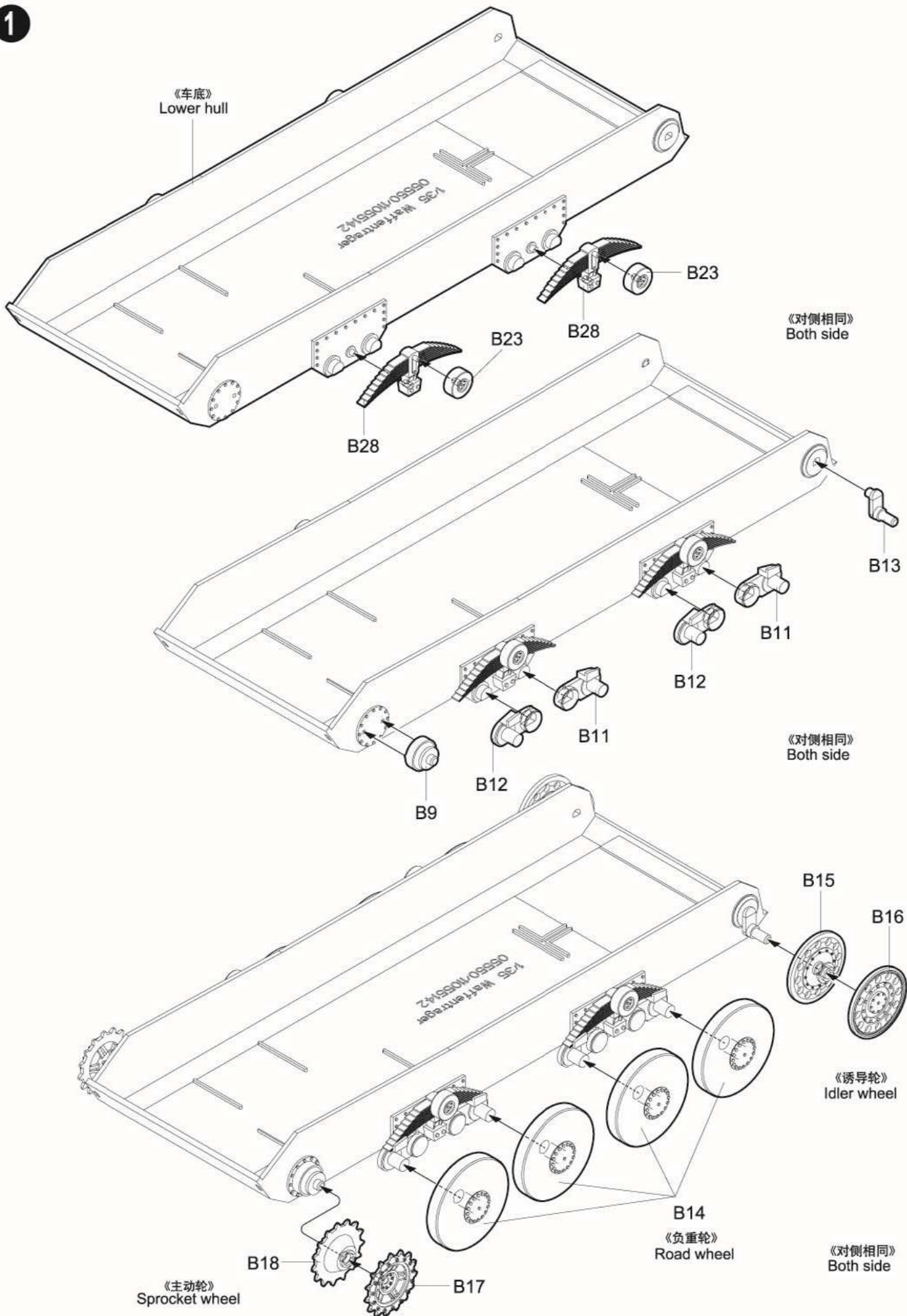


《铜管》  
Steel tube



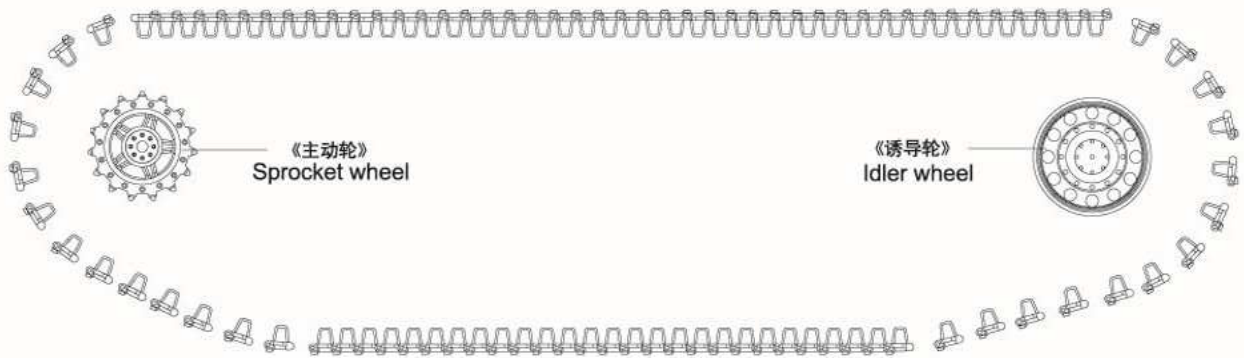
不用部件: D8, PE-B7, PE-B12, PE-B16, PE-B22  
Unused parts:

1

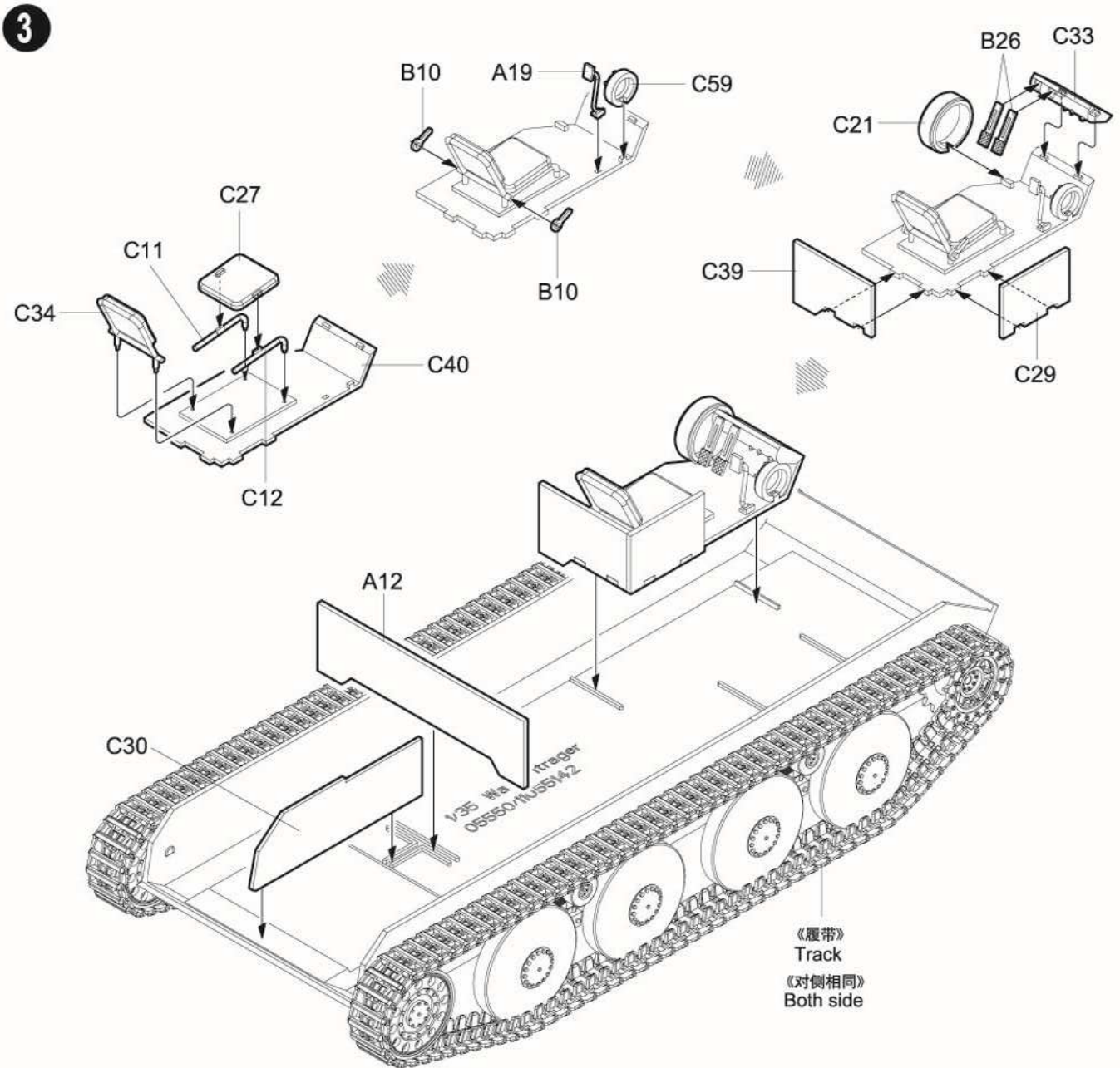


**2** 履带联接  
Track construction

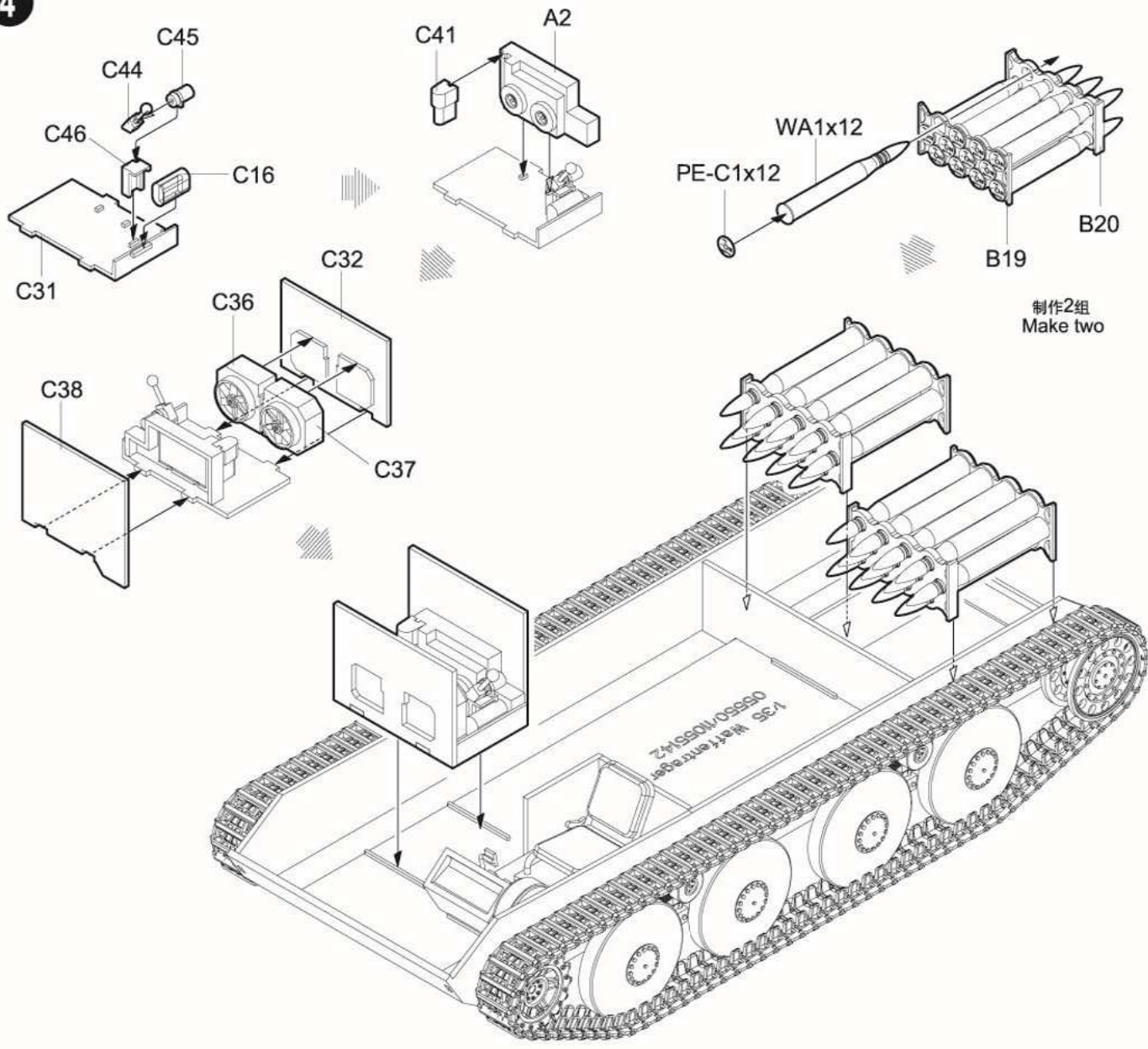
《单侧履带需103节》  
Complete track for one side requires 103 links



制作2组  
Make two



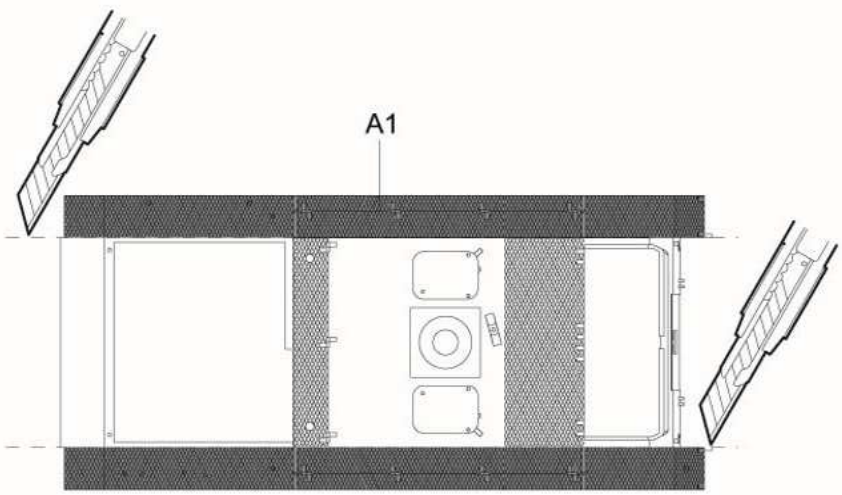
4



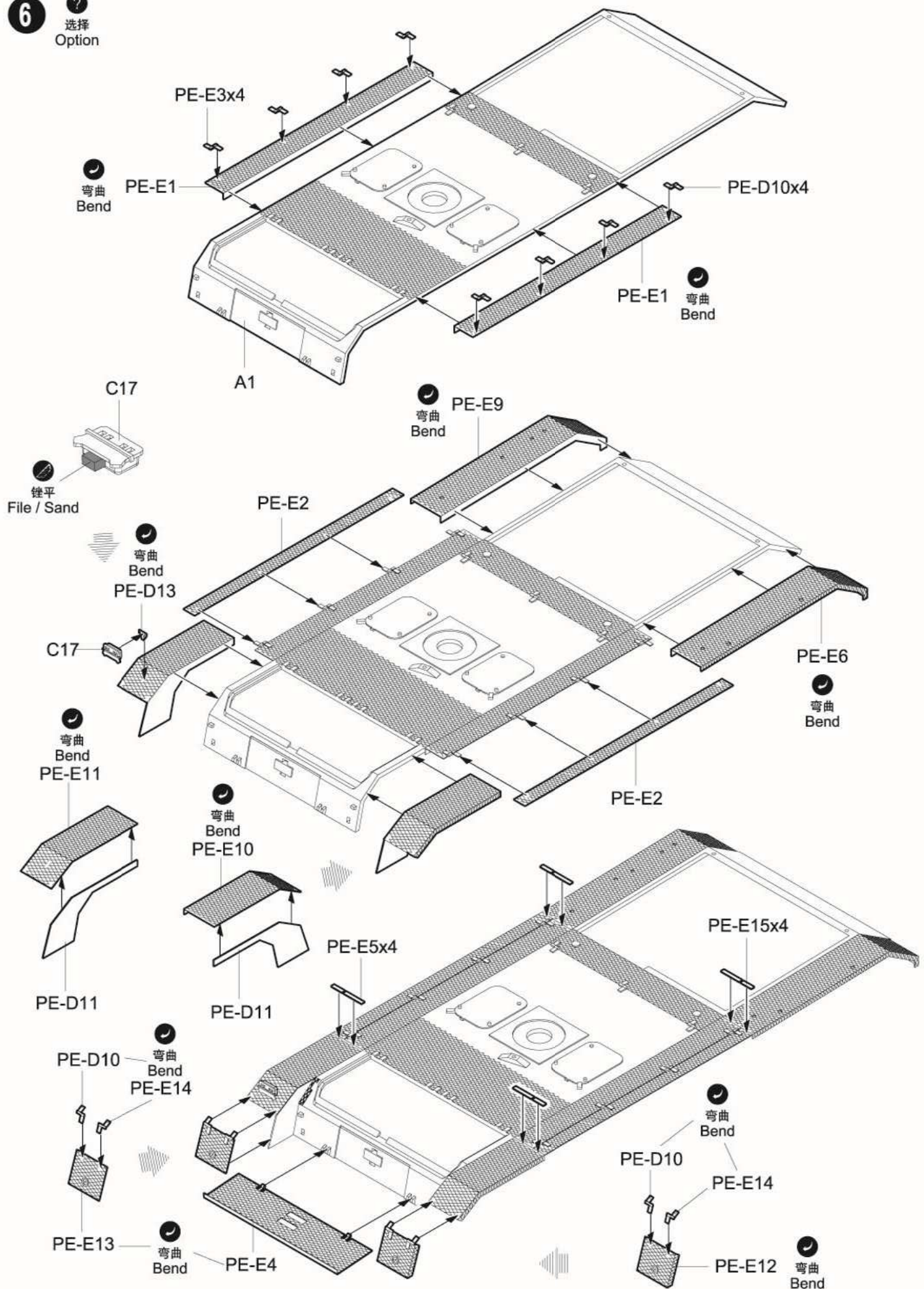
5



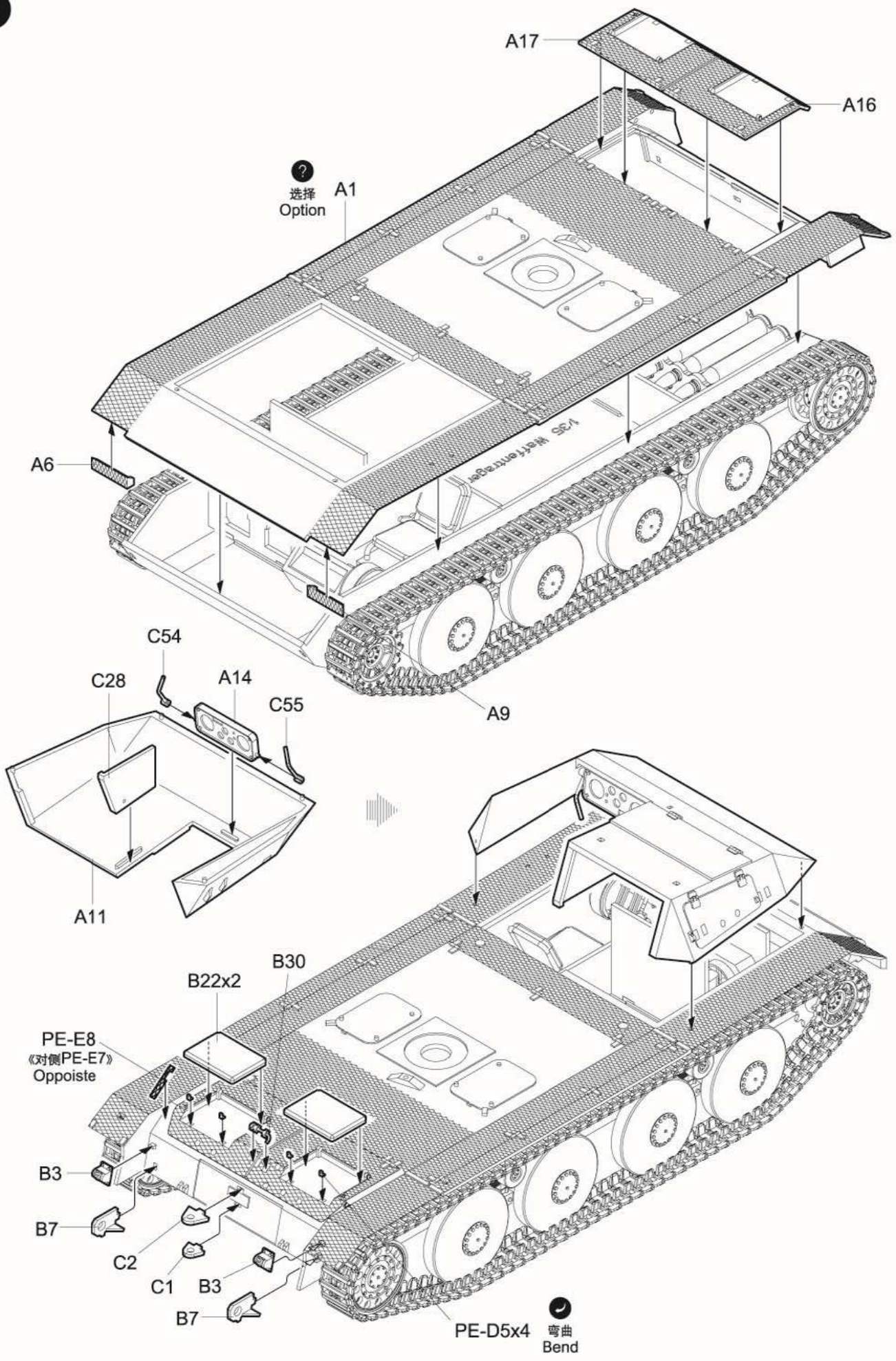
选择组装PE裙板,沿虚线切除料位。  
 Opint assembly PE skirt plank, cut only one sheet along this line.

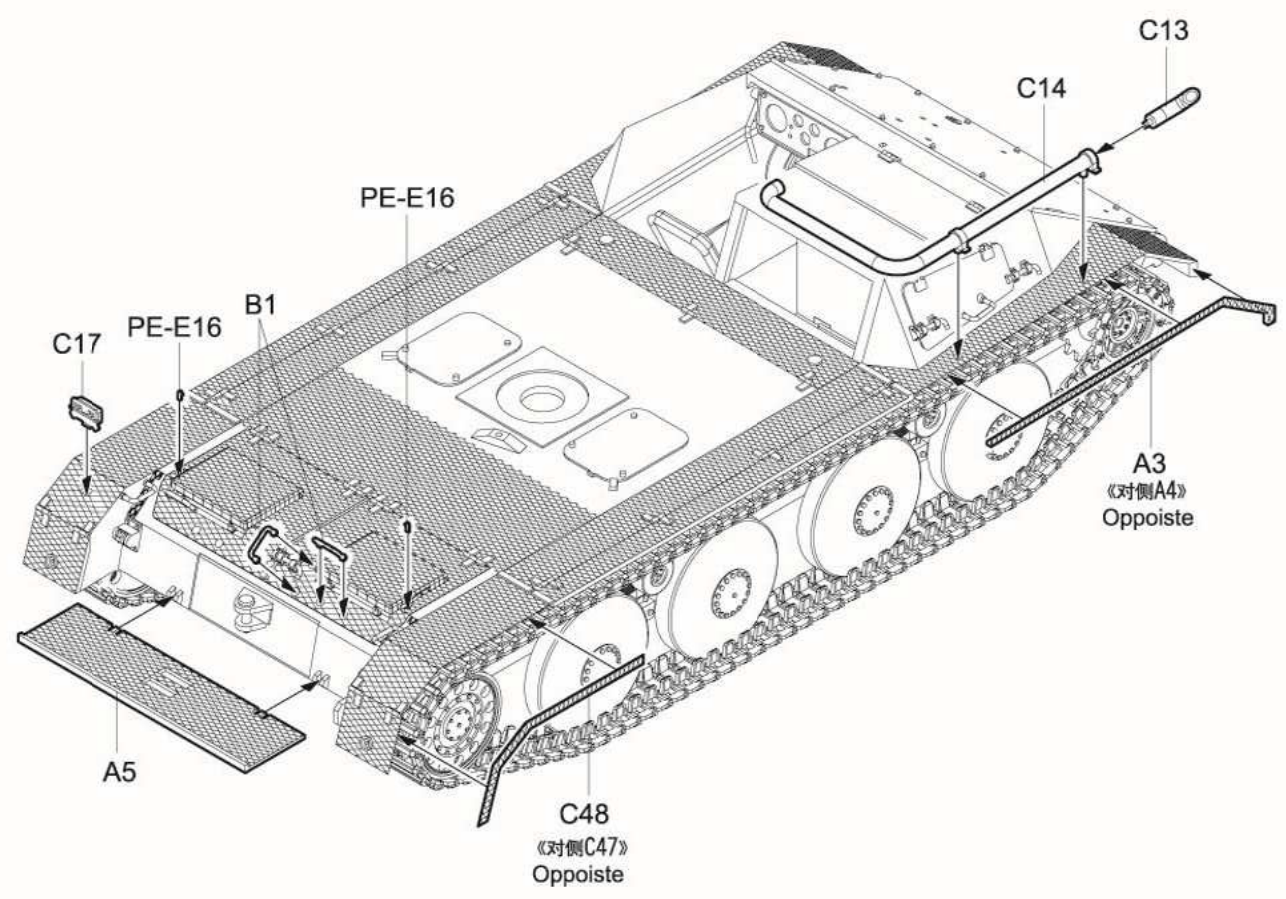
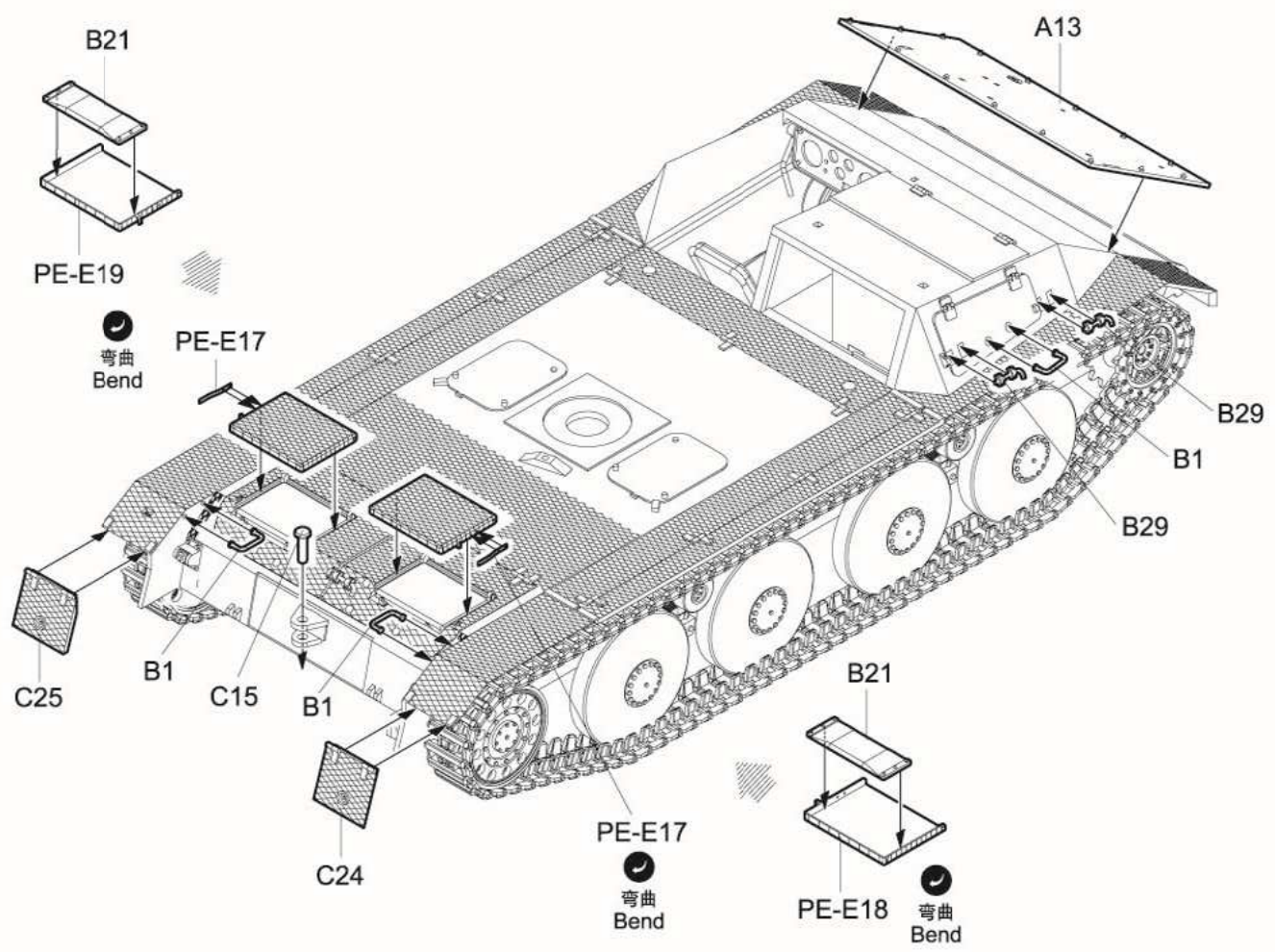


**6** ?  
选择  
Option

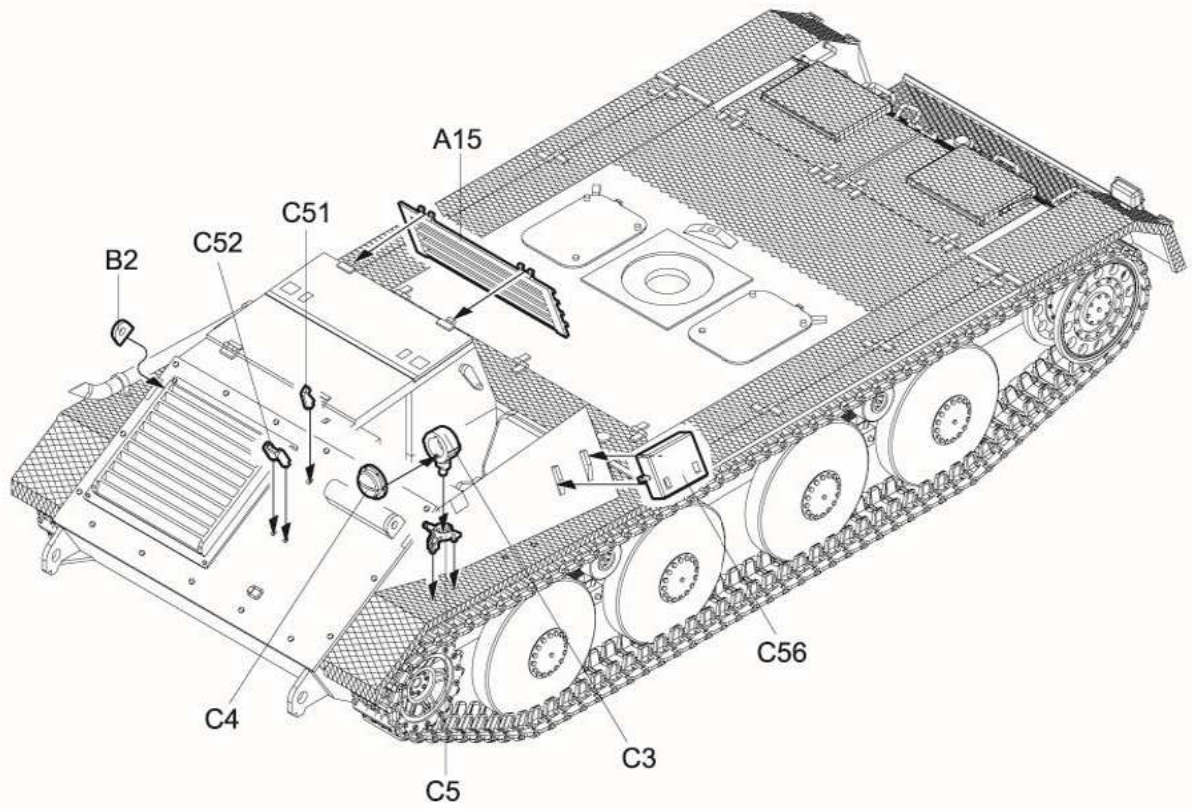
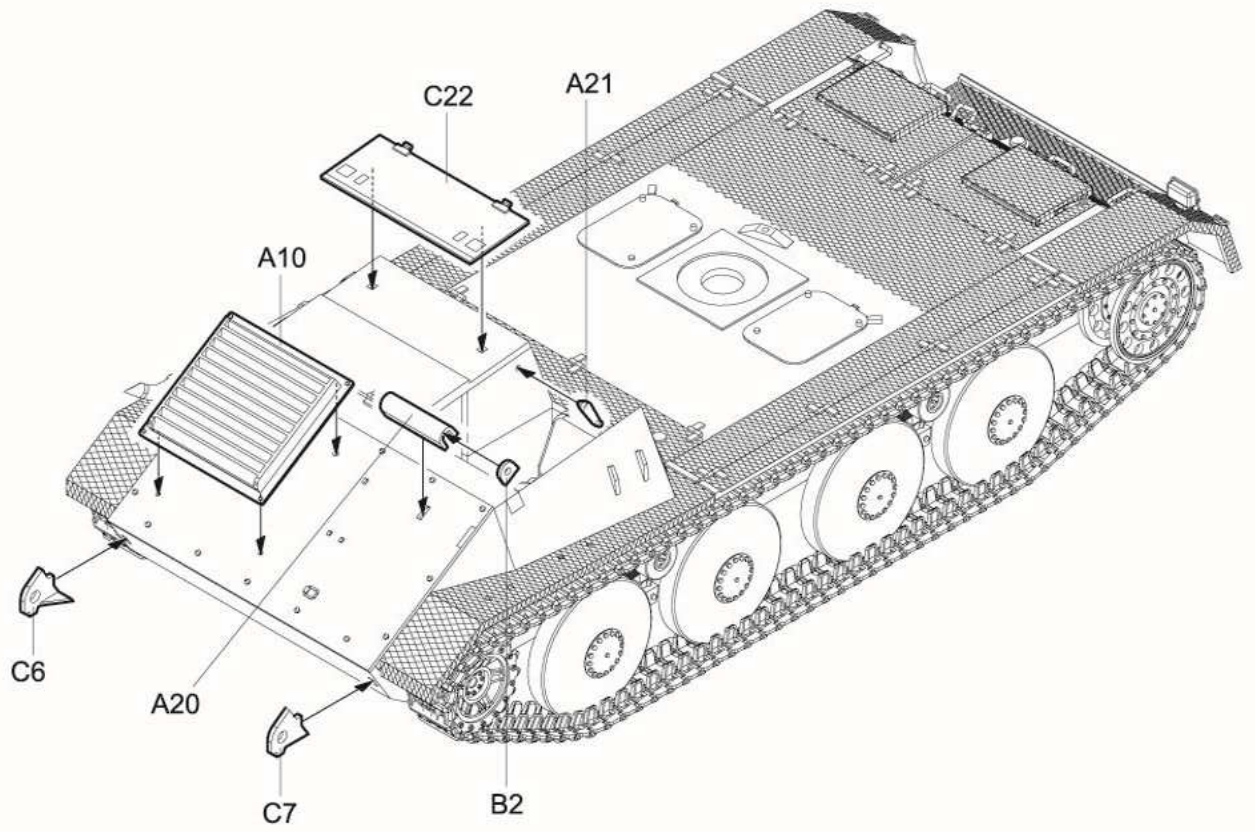


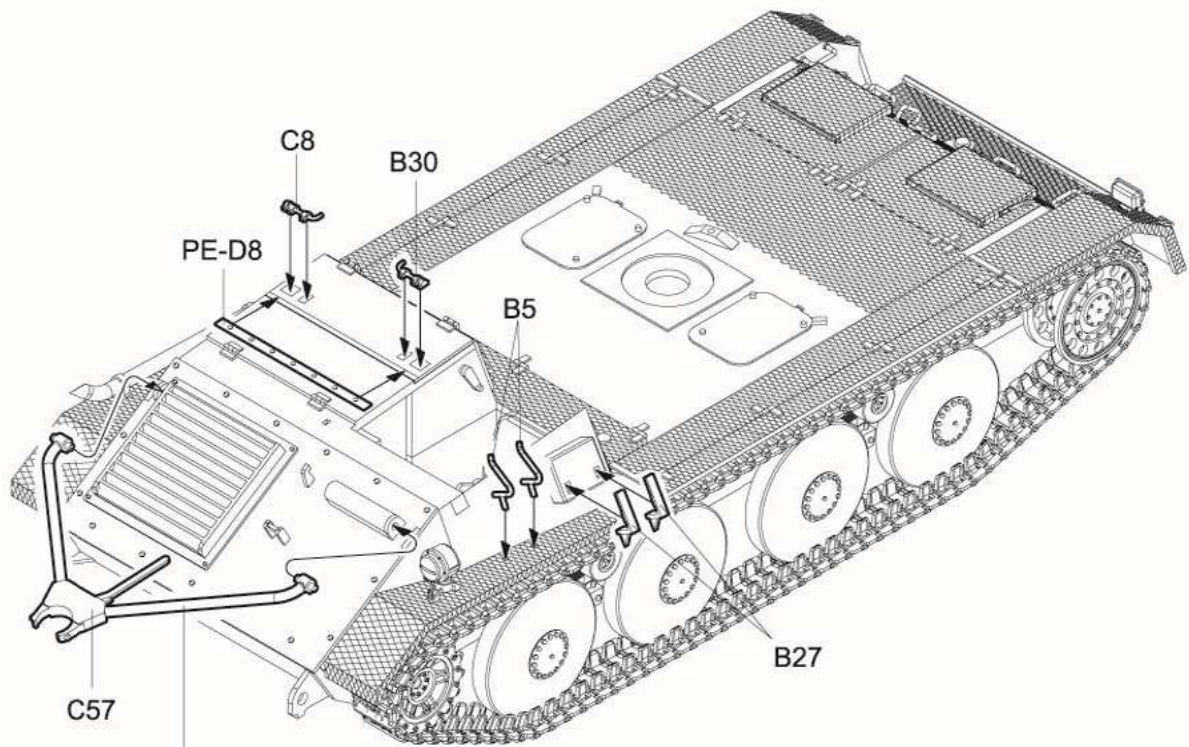
7



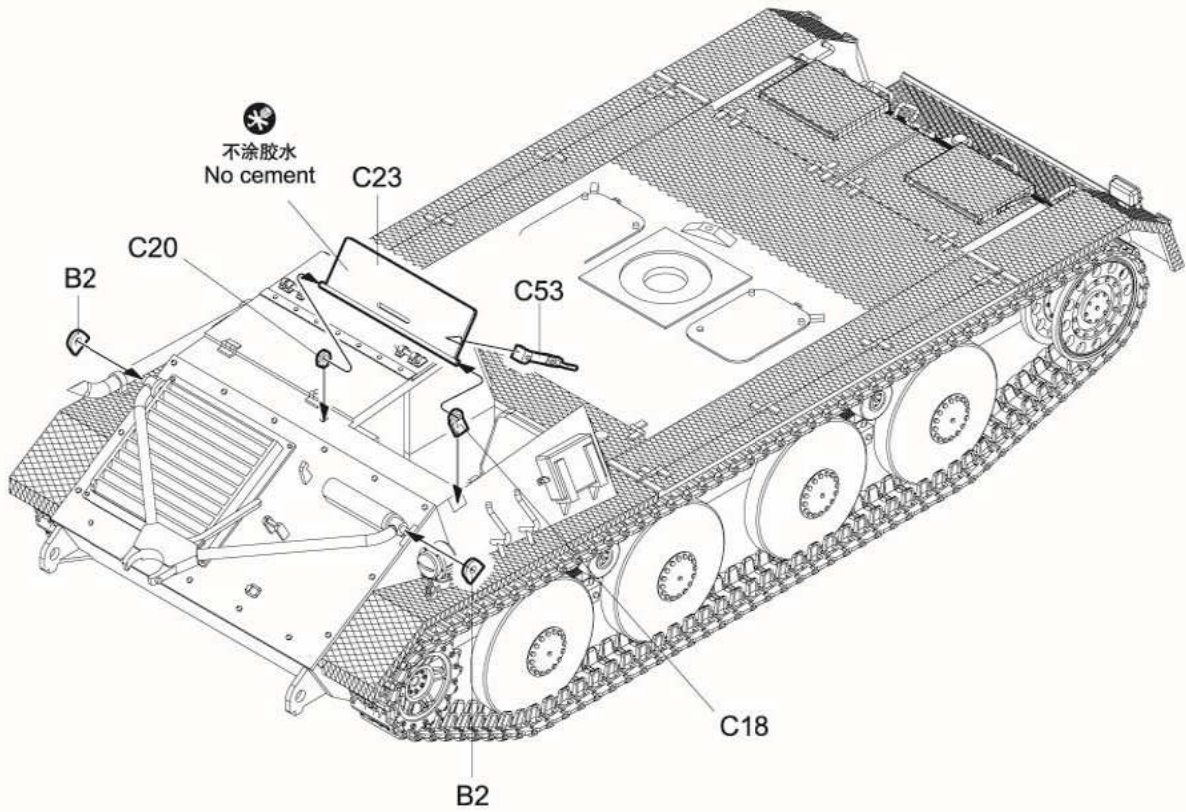






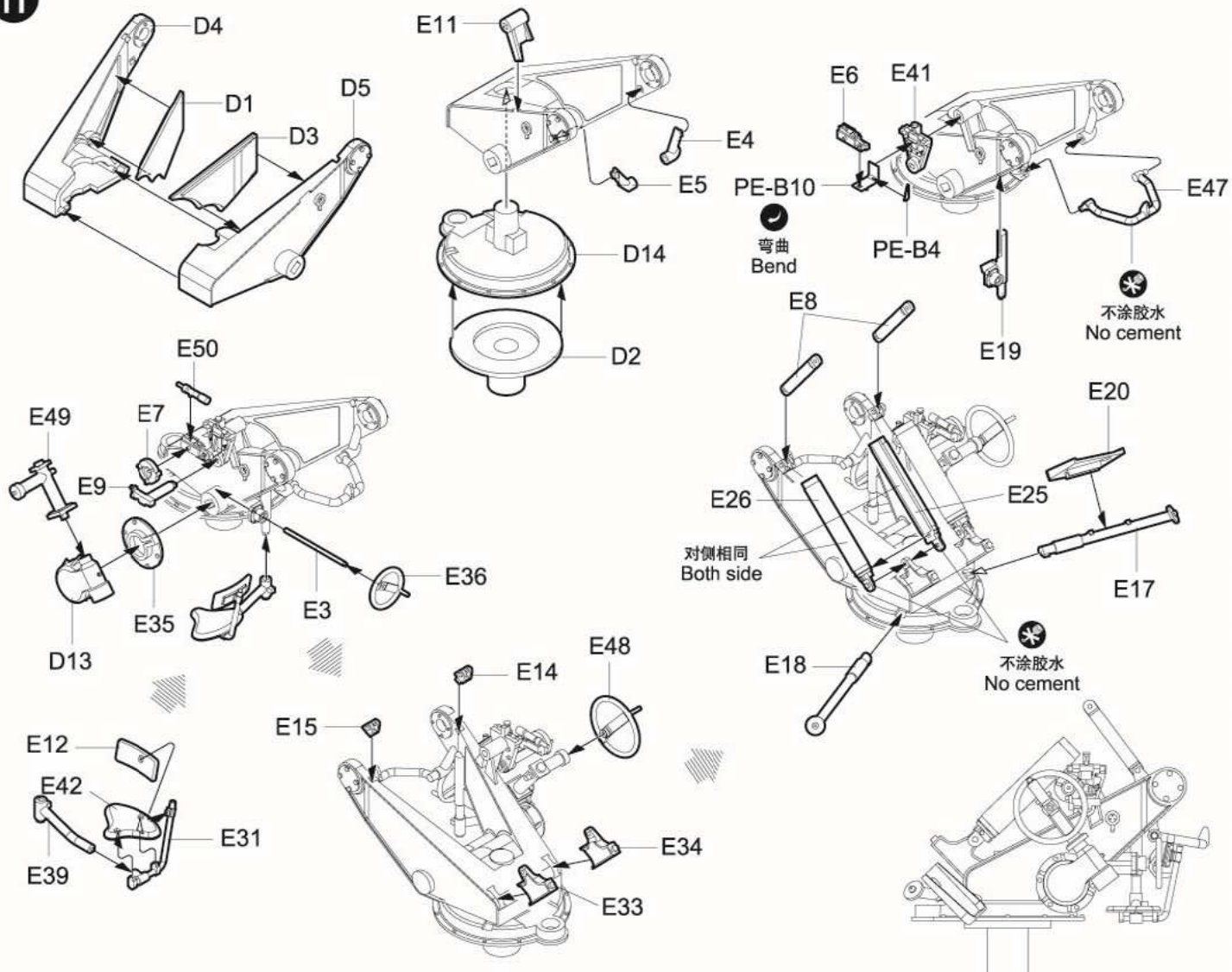


  
不涂胶水  
No cement

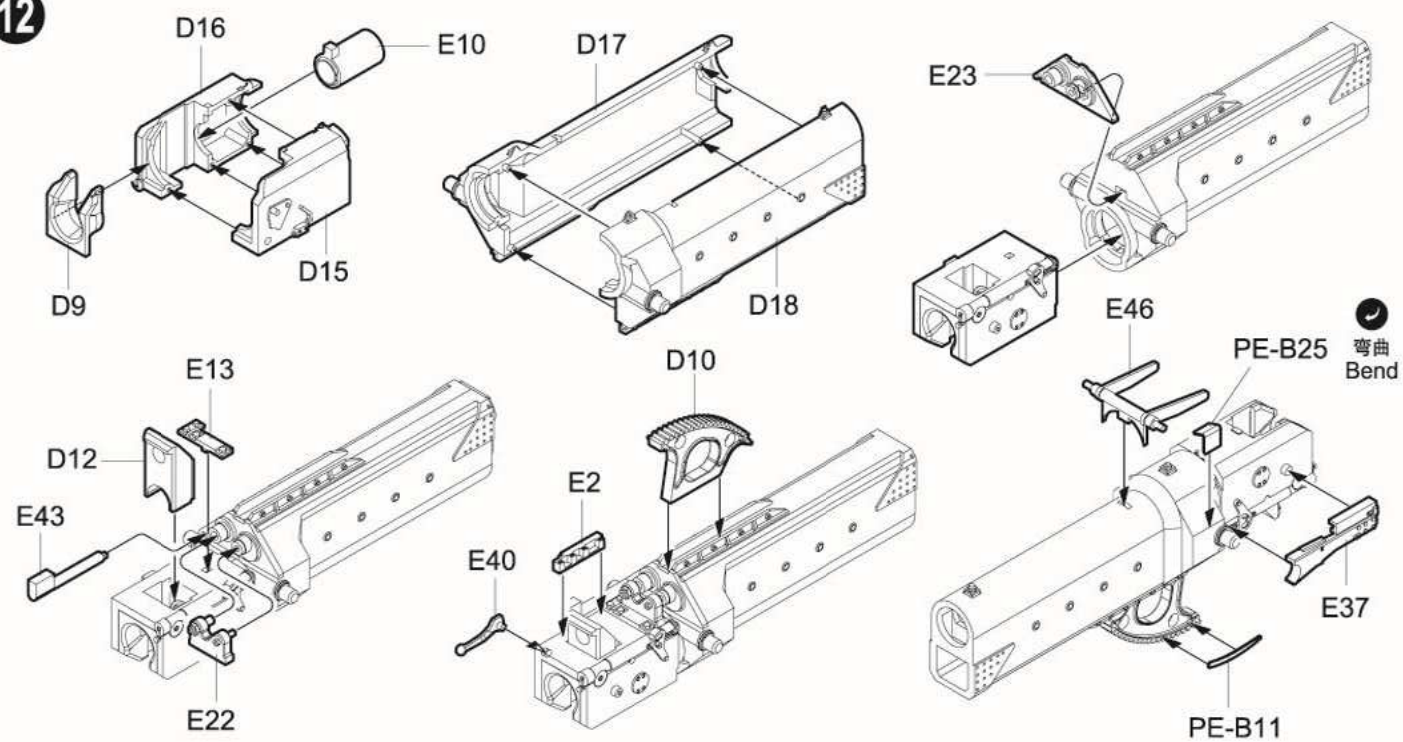


  
不涂胶水  
No cement

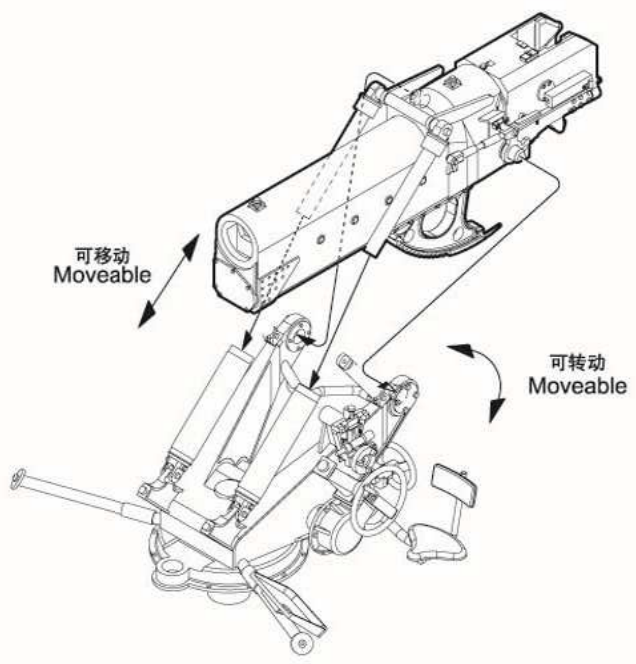
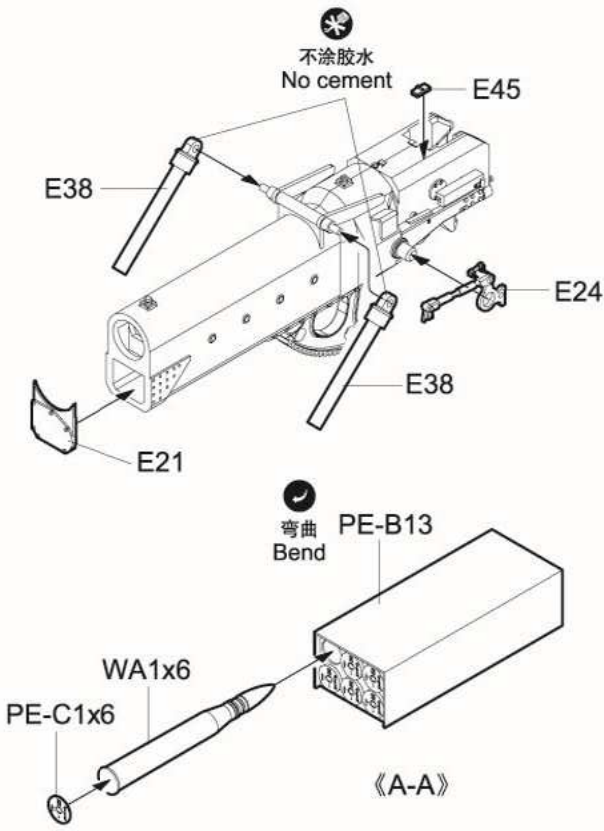
11



12

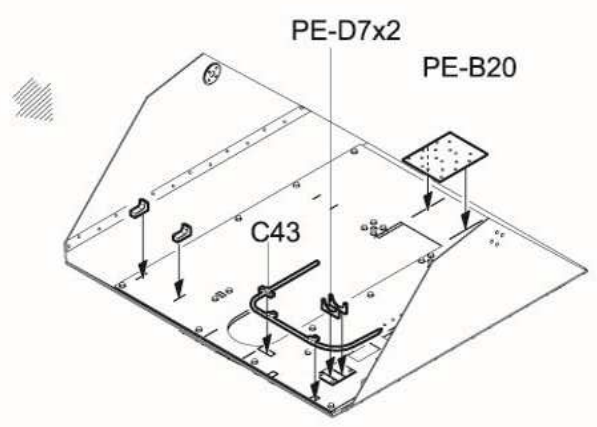
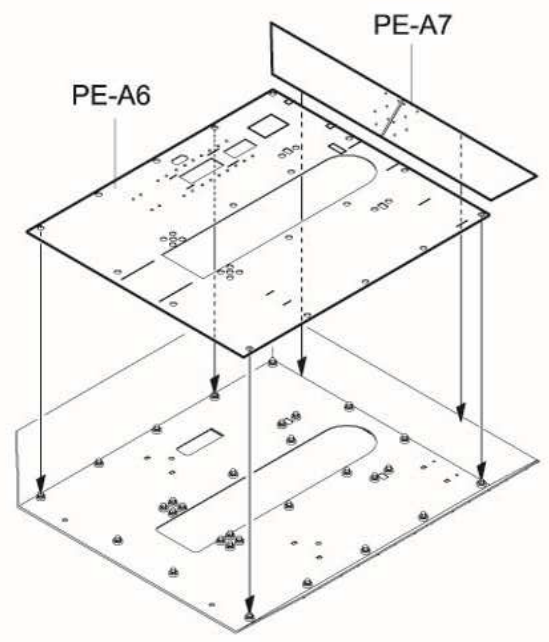
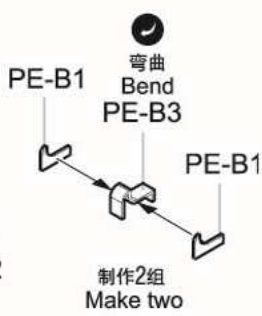
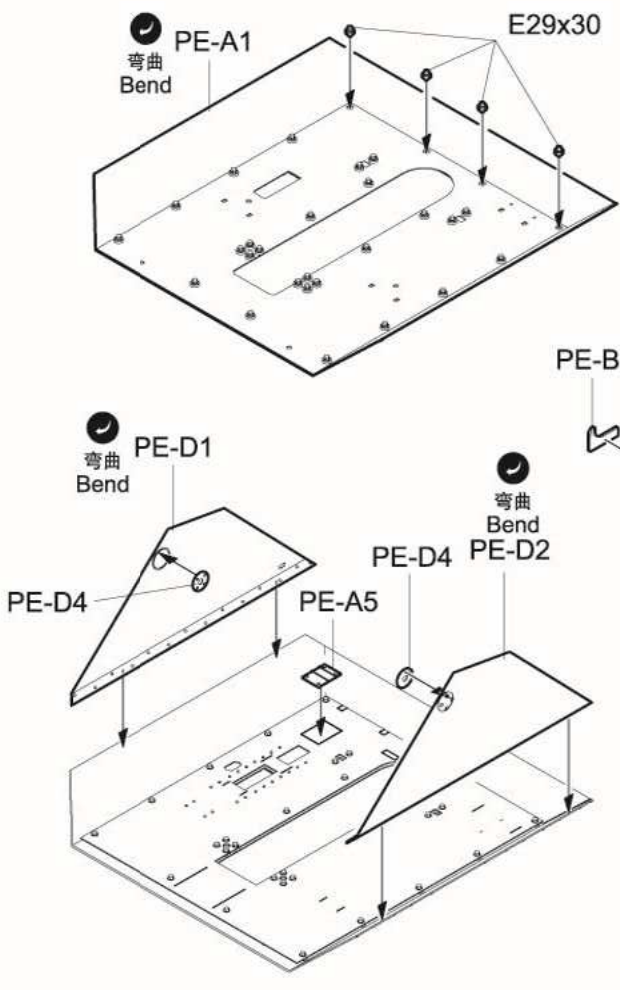


13

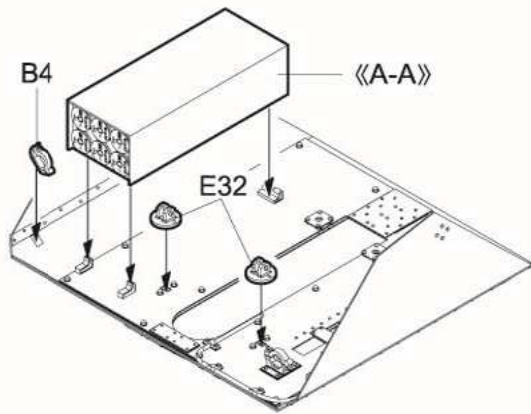
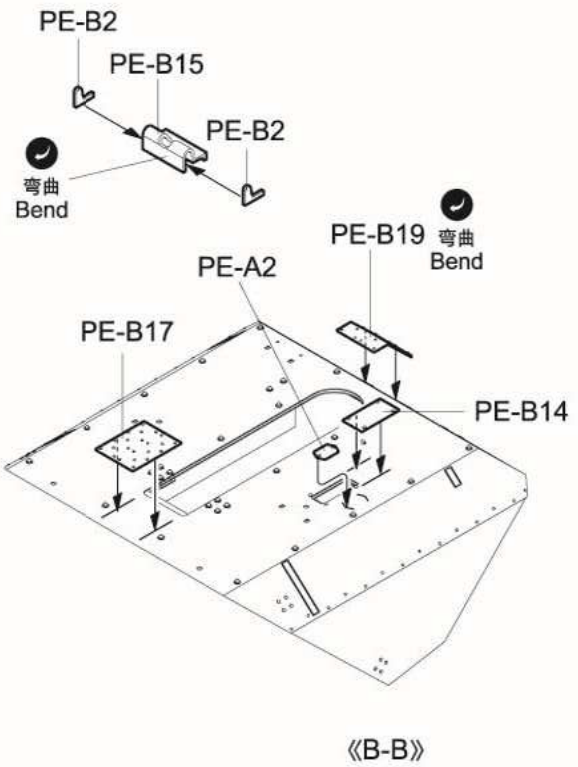
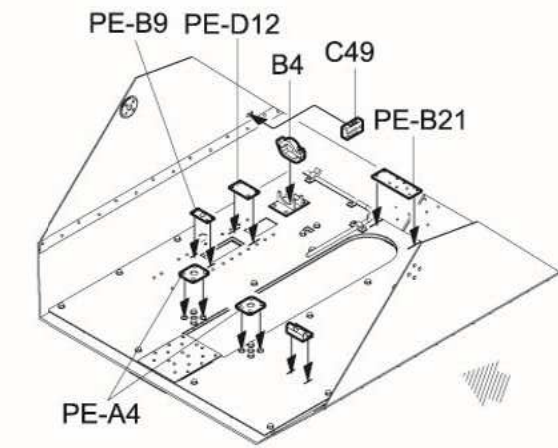


14

选择  
Option



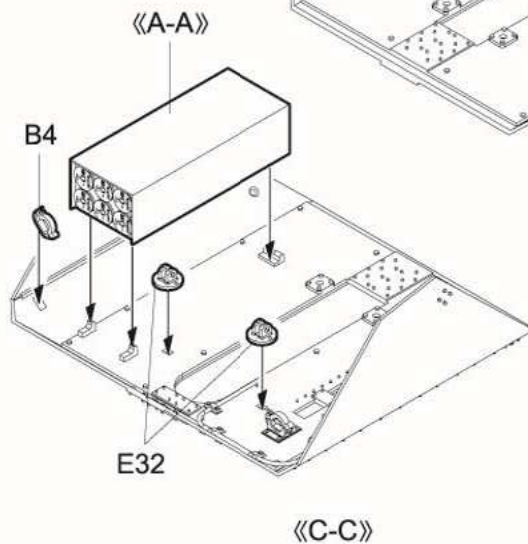
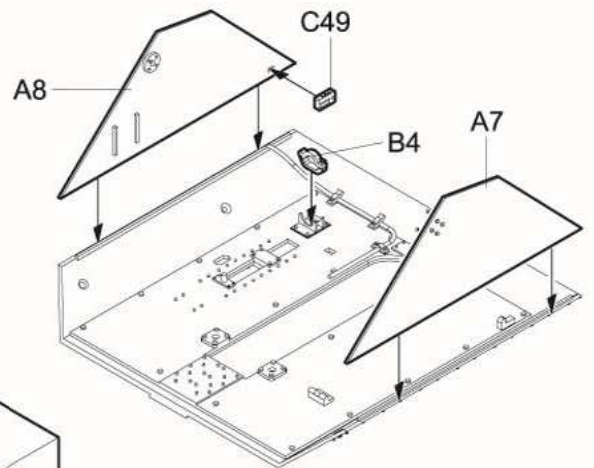
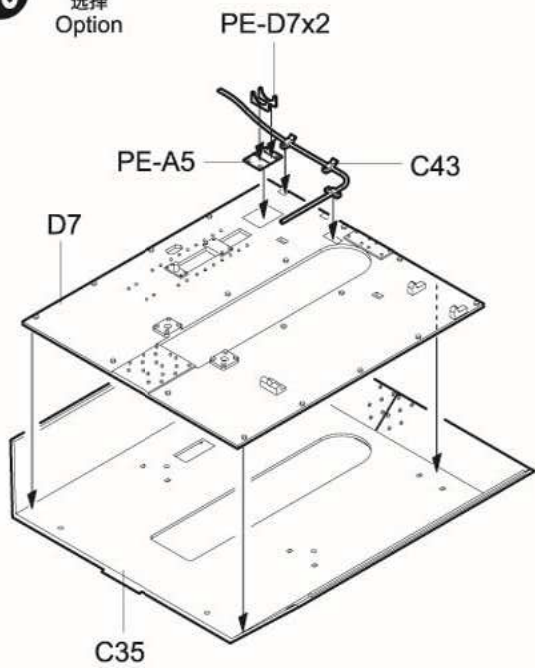
15



$\langle\langle B-B \rangle\rangle$

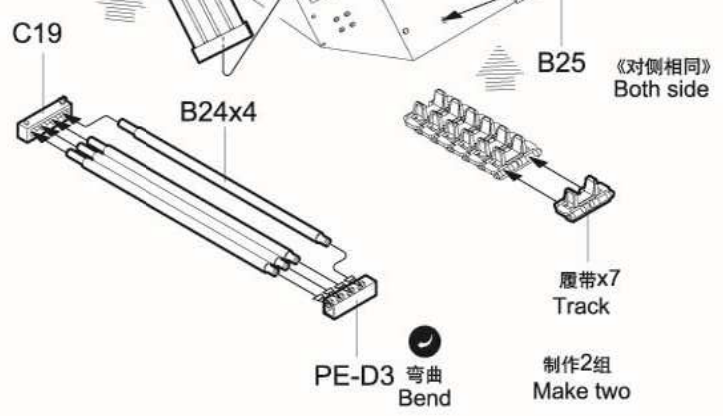
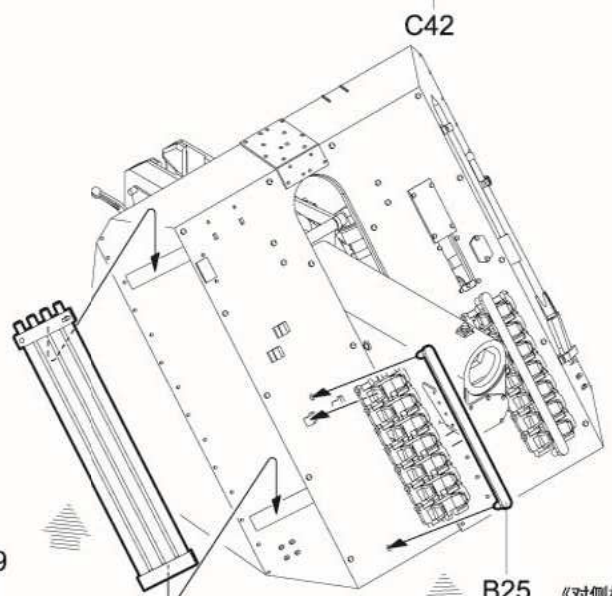
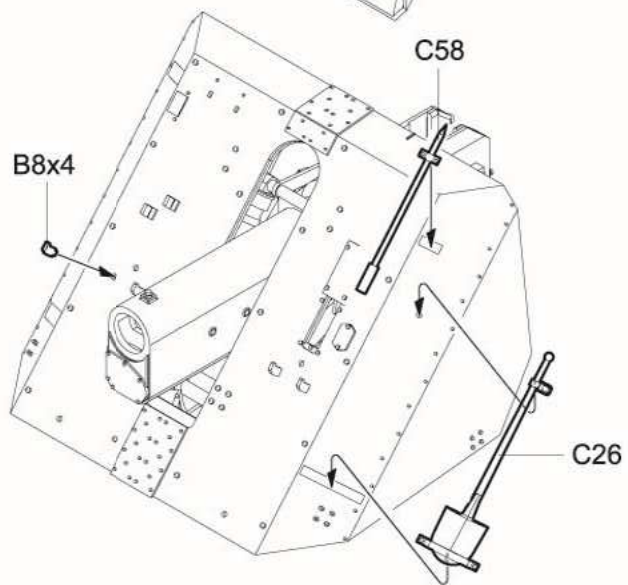
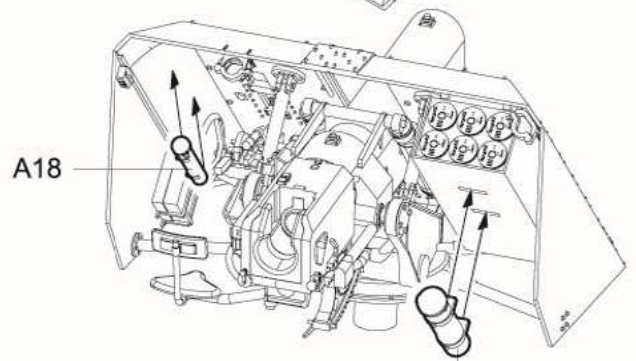
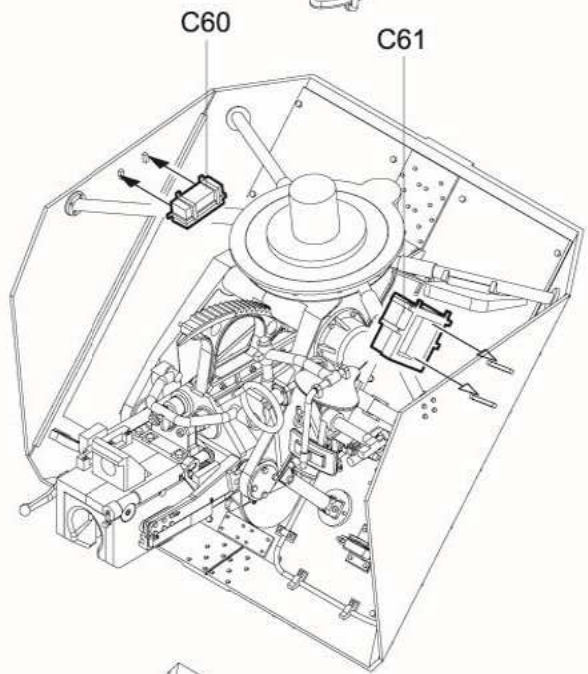
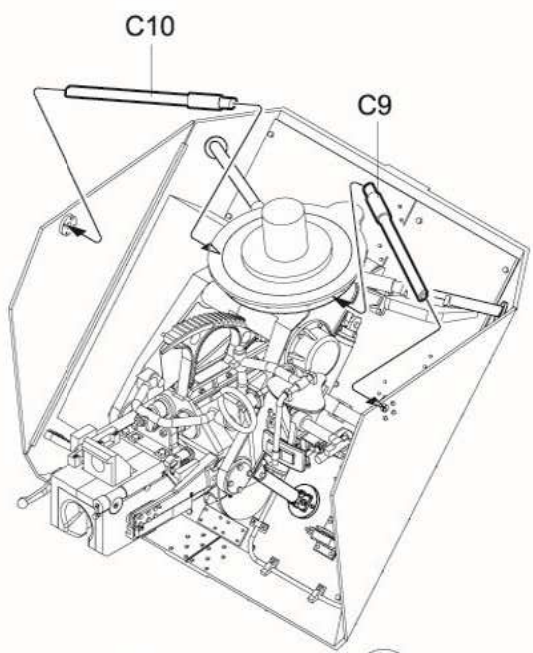
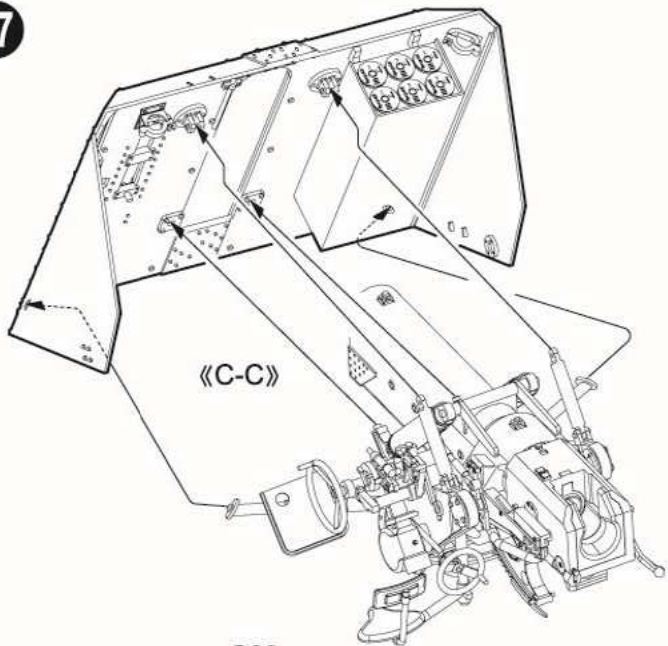
16

?  
选择  
Option



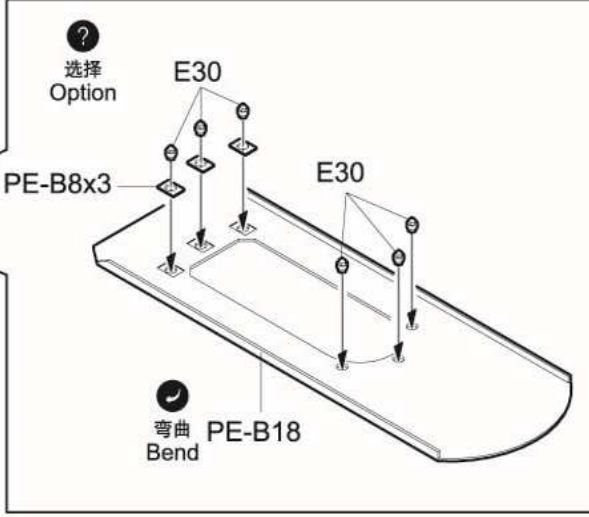
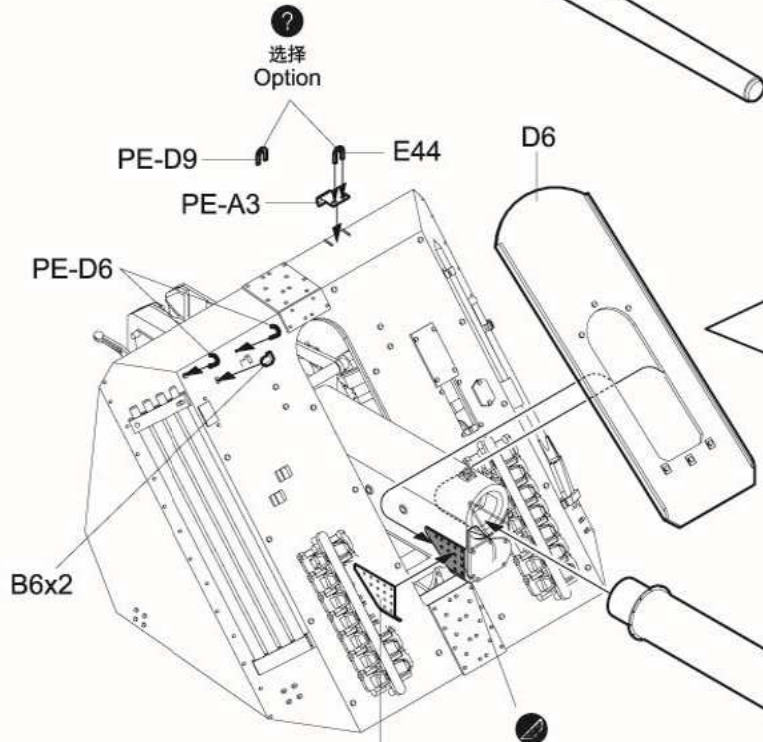
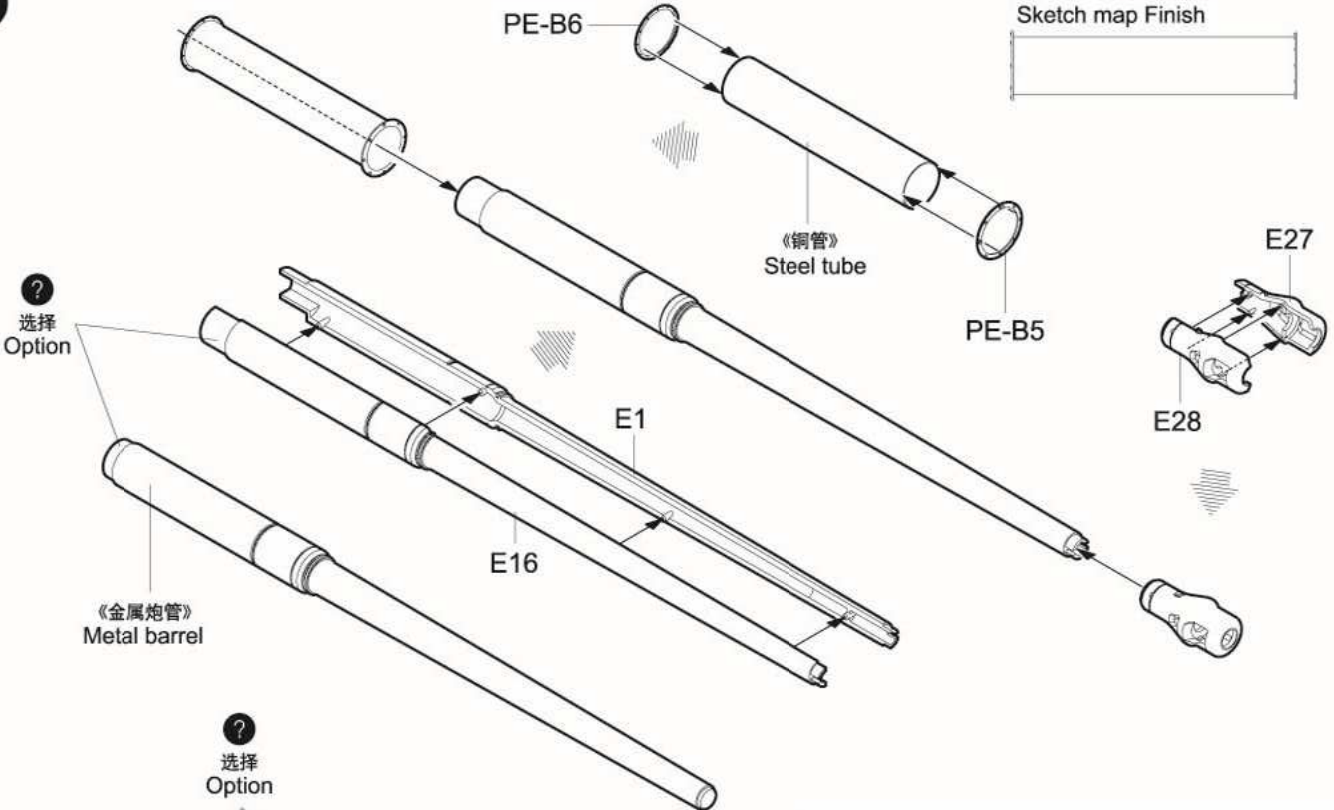
$\langle\langle C-C \rangle\rangle$

17

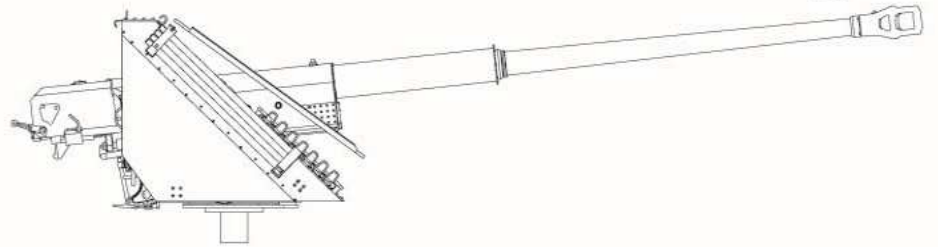
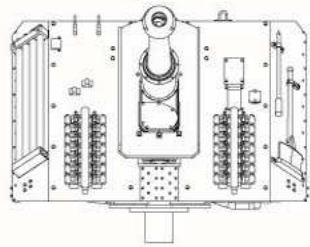


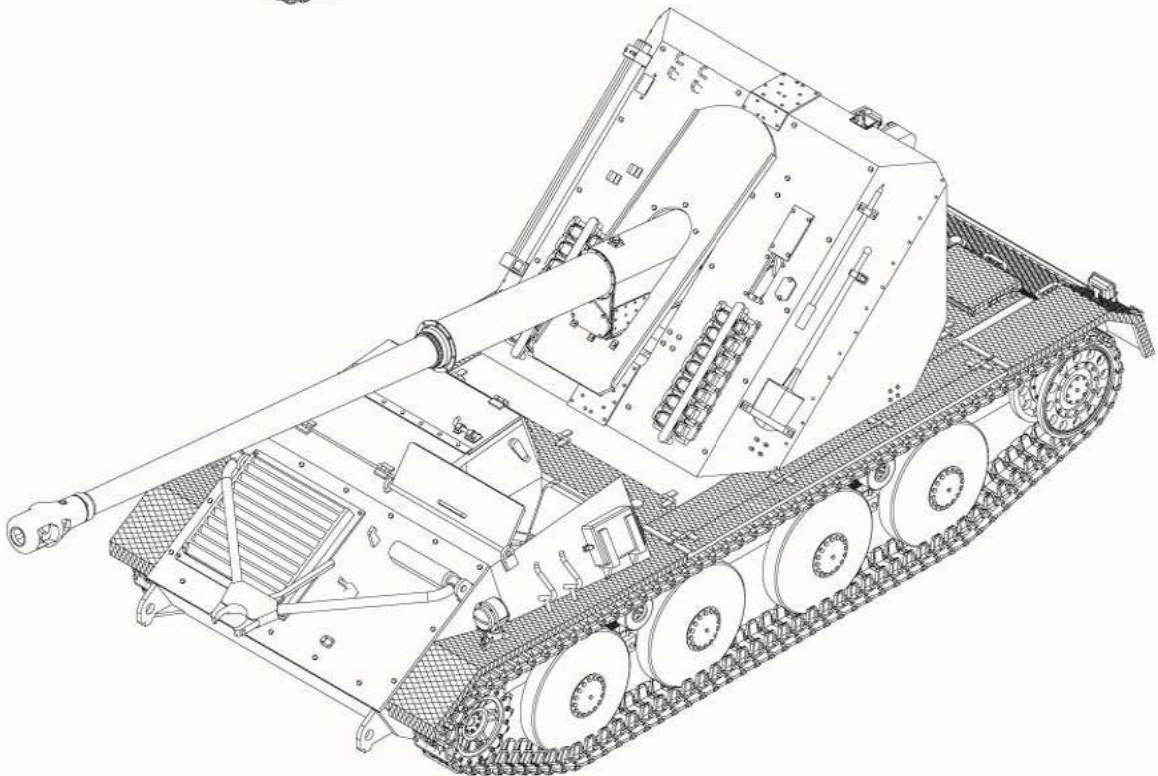
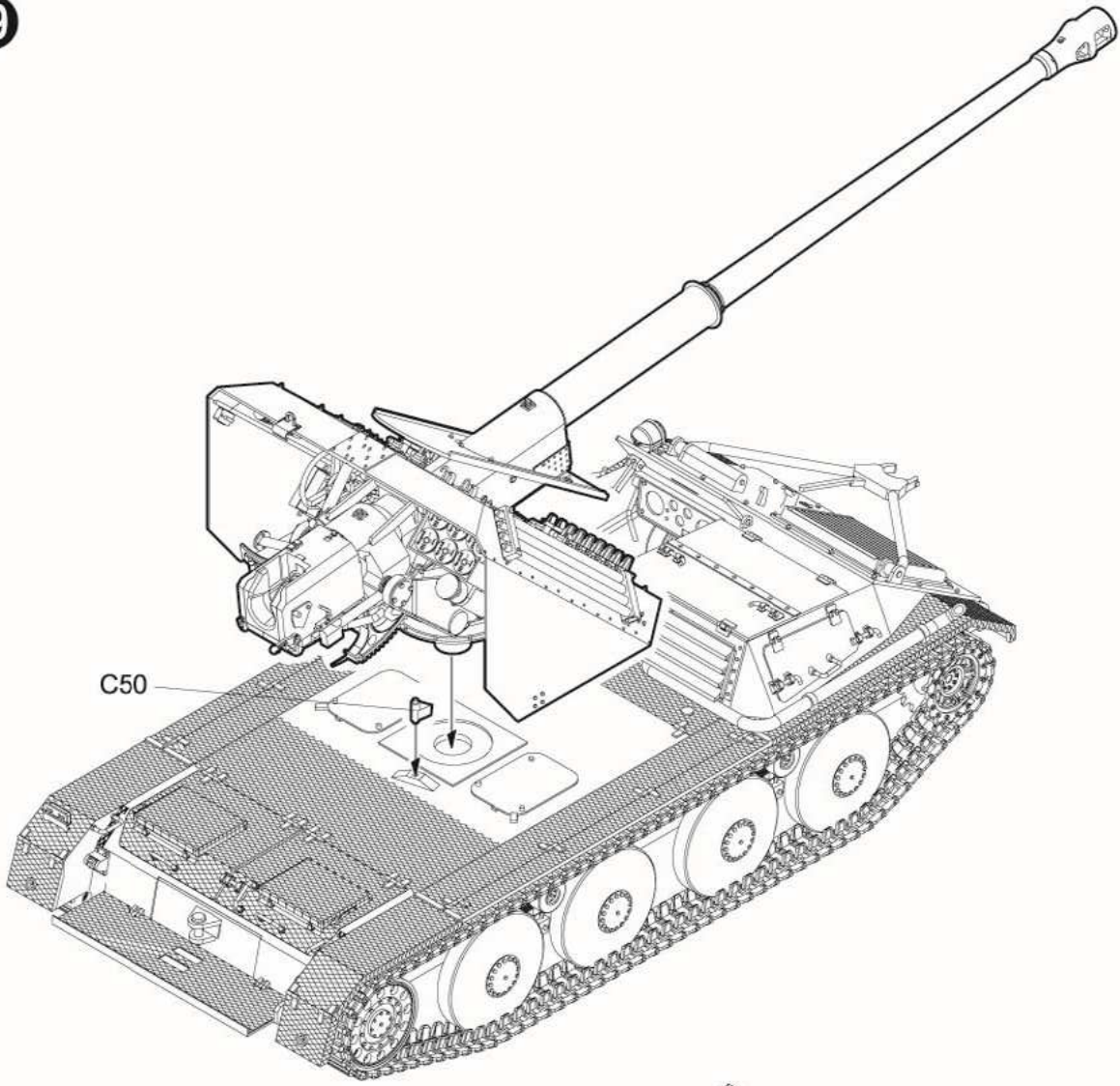
18

完成示意图  
Sketch map Finish



完成示意图  
Sketch map Finish





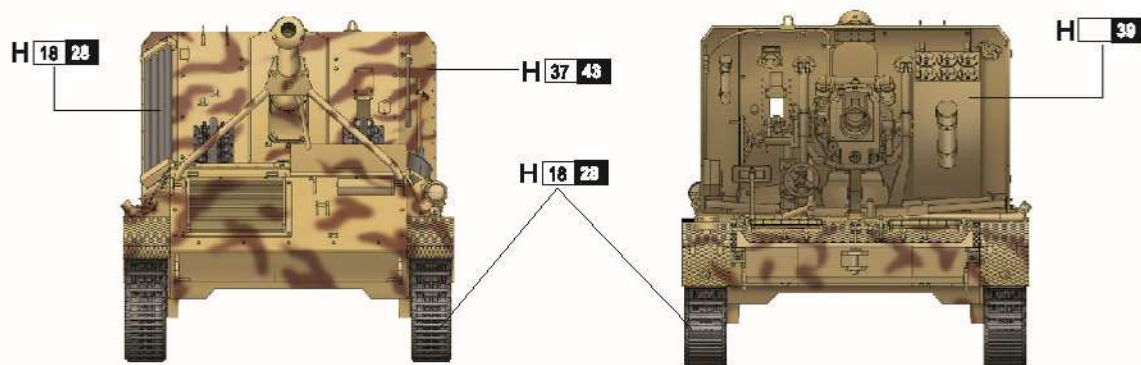
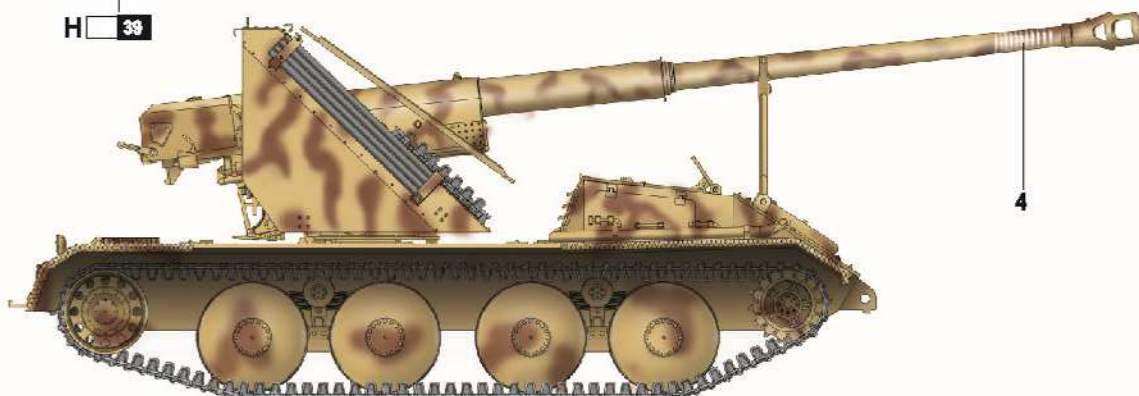
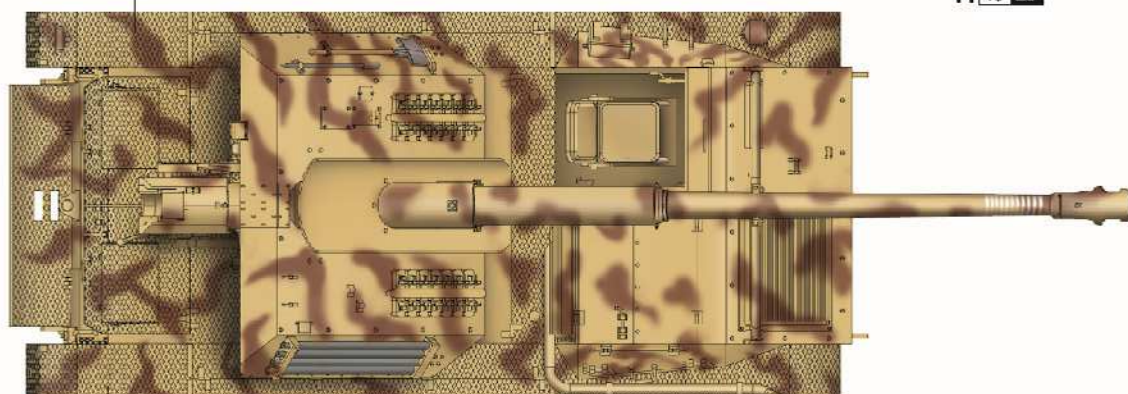
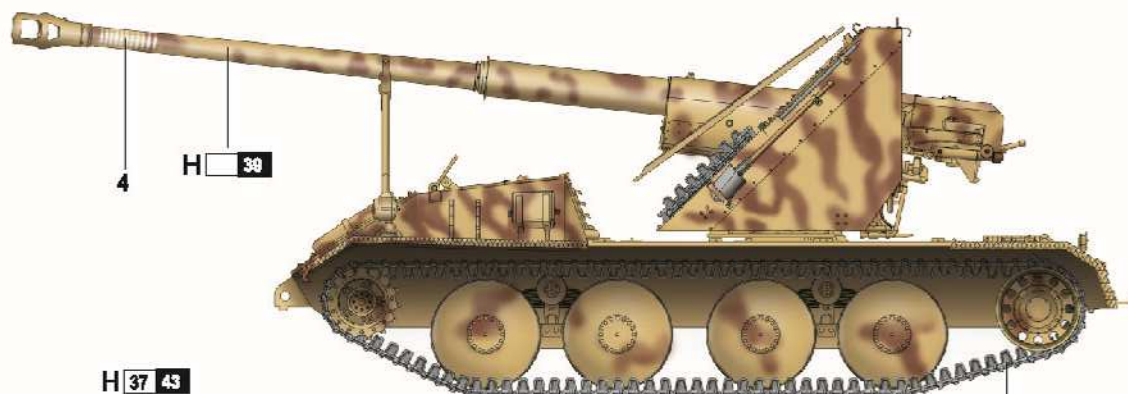


# 涂装同标贴指示

## Painting & Marking guide

### PAINT REFERENCE COLOUR

Color	Mr.Hobby	Vallejo	Model Master	Tamiya	Humbrol
Dark Yellow 暗黄色	H 30	824	—	XF58	83
Wood Brown 木棕色	H 37 43	963	1701	—	166
Metal Black 黑铁色	H 18 28	964	1402	—	—



☒ AQUEOUS HOBBY COLOR    ■ Mr. COLOR